

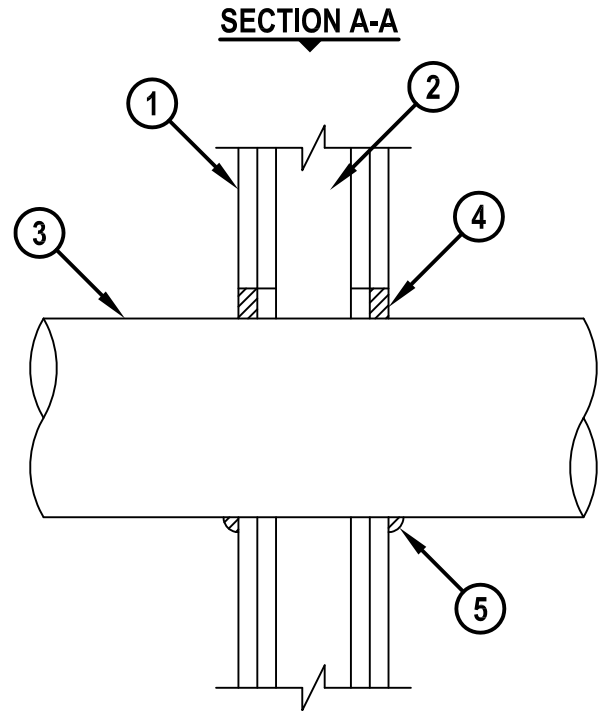
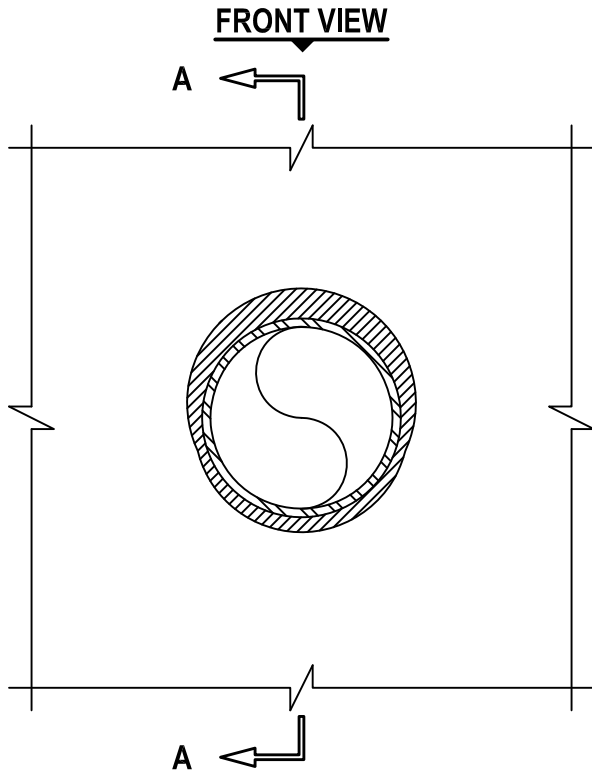
UL SYSTEM NO. W-L-2330

GLASS PIPE THROUGH GYPSUM WALL ASSEMBLY

F-RATING = 1-HR. OR 2-HR.

T-RATING = 0-HR.

WL2330b.011215



1. GYPSUM WALL ASSEMBLY (UL/cUL CLASSIFIED U400 SERIES) (1-HR. OR 2-HR. FIRE-RATING) (2-HR. SHOWN).
2. [NOT SHOWN] LIGHTGAGE STEEL STUDS TO BE MINIMUM 2-1/2" WIDE.
3. MAXIMUM 6" NOMINAL DIAMETER GLASS PIPE (CLOSED OR VENTED PIPING SYSTEM) MANUFACTURED BY SCHOTT SCIENTIFIC GLASS.
4. MINIMUM 5/8" DEPTH HILTI FS-ONE MAX OR FS-ONE INTUMESCENT FIRESTOP SEALANT.
5. MINIMUM 1/2" BEAD HILTI FS-ONE MAX OR FS-ONE INTUMESCENT FIRESTOP SEALANT APPLIED AT POINT OF CONTACT.

NOTES : 1. MAXIMUM DIAMETER OF OPENING = 7-5/8".
2. ANNULAR SPACE = MINIMUM 0", MAXIMUM 1-1/4".
3. PIPE COUPLINGS TO BE LOCATED MINIMUM 12" FROM WALL SURFACE.



HILTI, Inc.
Tulsa, Oklahoma USA (800) 879-8000

Sheet	1 of 1
Scale	5/32" = 1"
Date	Jan. 12, 2015

Drawing No.

WL
2330b

Saving Lives through Innovation and Education