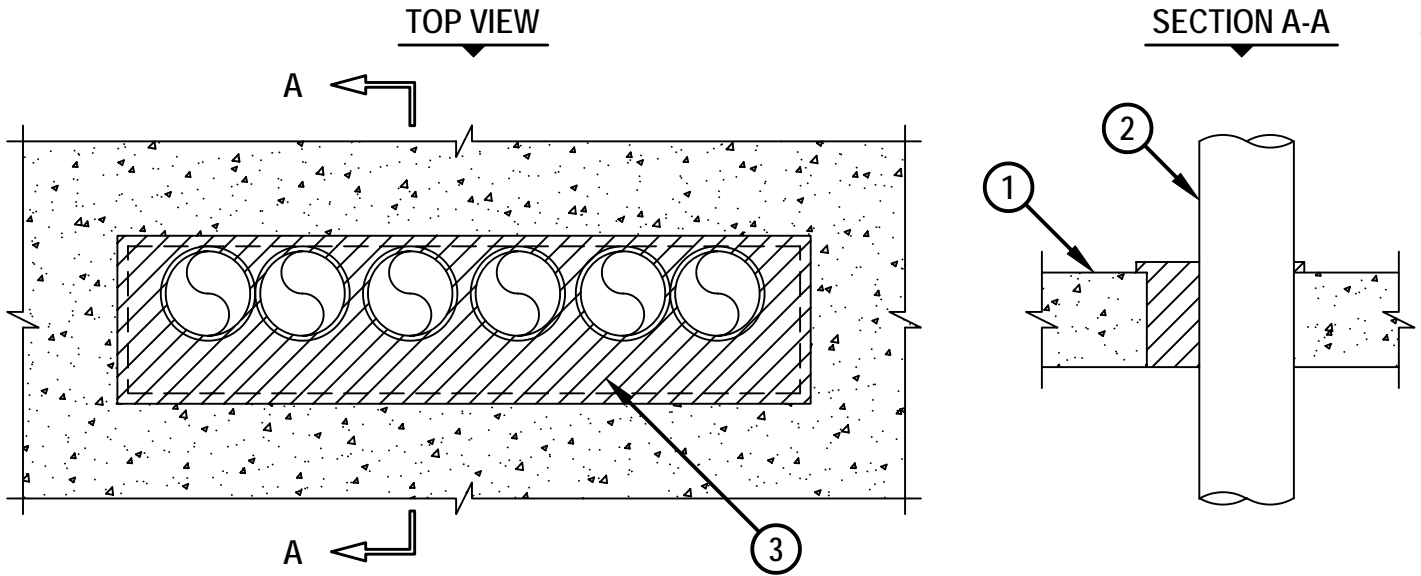


**MULTIPLE METAL CONDUITS THROUGH CONCRETE FLOOR/WALL
OR BLOCK WALL ASSEMBLY**

F-RATING = 2-HR.

T-RATING = 0-HR.

CAJ1388b.010402



1. CONCRETE FLOOR OR WALL ASSEMBLY (2-HR. FIRE-RATING) :
 - A. LIGHTWEIGHT OR NORMAL WEIGHT CONCRETE FLOOR OR WALL (MIN. 4-1/2" THICK).
 - B. ANY UL/ULC CLASSIFIED CONCRETE BLOCK WALL.
2. PENETRATING ITEMS TO BE ONE OR MORE OF THE FOLLOWING :
 - A. MAXIMUM 4" NOMINAL DIAMETER STEEL CONDUIT.
 - B. MAXIMUM 4" NOMINAL DIAMETER EMT.
3. MINIMUM 5" DEPTH HILTI CP 620 FIRE FOAM EXTENDING 1/2" ABOVE THE TOP SURFACE OF THE FLOOR OR BOTH SURFACES OF WALL AND OVERLAPPING THE CONCRETE 1/2" ON ALL SIDES OF OPENING.

NOTES : 1. MAXIMUM SIZE OF OPENING = 32" x 7".
 2. ANNULAR SPACE BETWEEN CONDUITS = MINIMUM 0", MAXIMUM 1/2".
 3. ANNULAR SPACE BETWEEN CONDUITS AND PERIPHERY OF OPENING = MINIMUM 0", MAXIMUM 2-3/4".



HILTI, Inc.
Tulsa, Oklahoma USA (918) 252-6000

Sheet	1 of 1
Scale	7/64" = 1"
Date	Jan. 4, 2002

Drawing No.
**CAJ
1388b**