

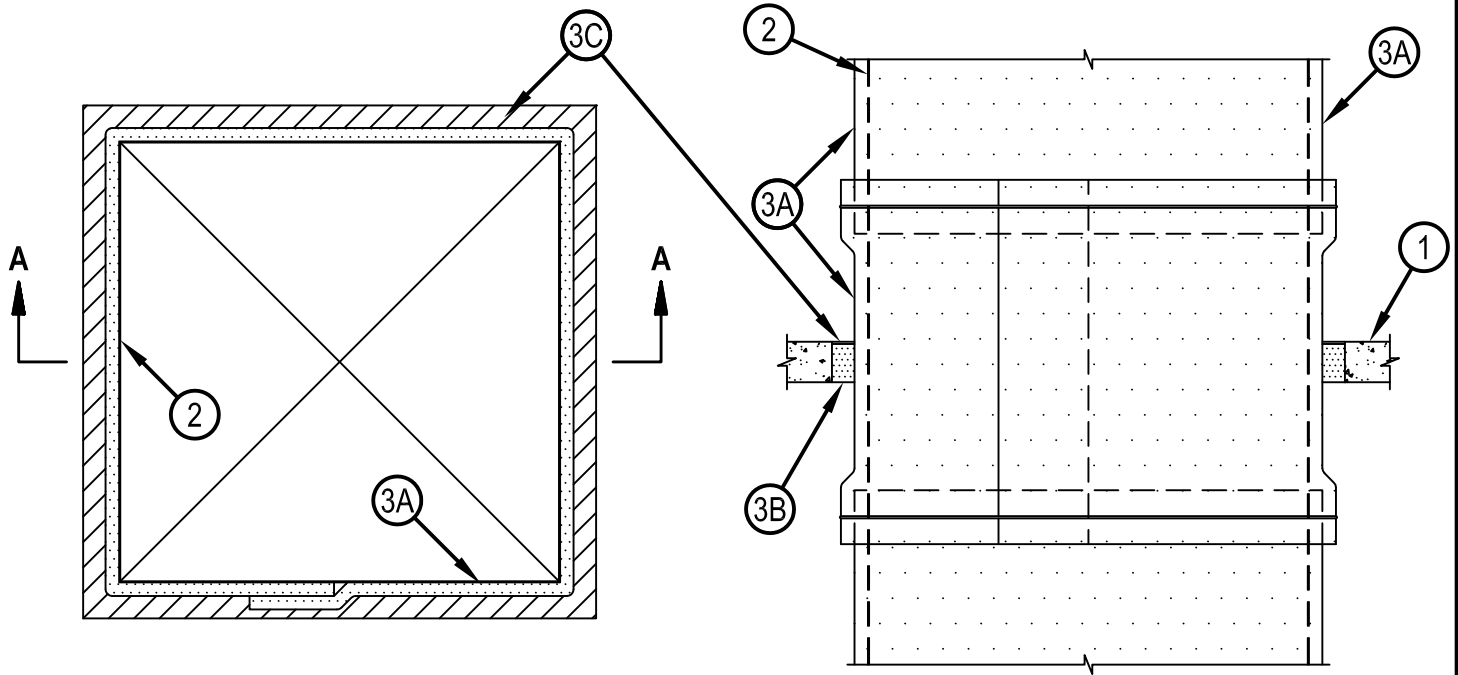


Classified by
Underwriters Laboratories, Inc.
to UL 1479 and CAN/ULC-S115

System No. C-AJ-7098

ANSI/UL 1479 (ASTM E814)	CAN/ULC S115
F Rating - 2 Hr	F Rating - 2 Hr
T Rating - 2 Hr	FT Rating - 2 Hr
	FH Rating - 2 Hr
	FTH Rating - 2 Hr

CAJ 7098



SECTION A-A

1. Floor or Wall Assembly — Min 4-1/2 in. (114 mm) thick reinforced normal weight (140-150 pcf or 2240-2400 kg/m³) concrete floor or min 4-3/4 in. (121 mm) thick reinforced normal weight concrete wall. Wall may also be constructed of any UL Classified Concrete Blocks*. Max area of opening is 22.6 ft² (2.1 m²) with max dimension of 57 in. (1.45 m).

See Concrete Blocks (CAZT) category in the Fire Resistance Directory for names of manufacturers.

2. Steel Grease Duct — Max 24 by 49 in. (0.61 by 1.24 m) by min 060 in. (1.5 mm) thick steel grease duct. One steel grease duct to be installed either concentrically or eccentrically within the firestop system. Duct to rigidly supported on both sides of floor or wall assembly.



Hilti Firestop Systems

Reproduced by HILTI, Inc. Courtesy of
Underwriters Laboratories, Inc.
January 14, 2015

3. Firestop System — The firestop system shall consist of the following:

A. Duct Wrap Materials* — Nom 1-1/2 in. (38 mm) thick ceramic blanket totally encapsulated within foil-scrim facers. The steel duct shall be wrapped with two layers of duct wrap installed in accordance with Grease Duct Assembly No. G-18. See Grease Duct Assemblies in Volume 2 of the Fire Resistance Directory. The annular space between the insulated duct and the periphery of the opening shall be a min of 1/2 in. (13 mm) to a max of 4-3/4 in. (121 mm).

THERMAL CERAMICS INC — FireMaster FastWrap XL, FireMaster FastWrap+ or Pyroscat Duct Wrap XL.

B. Packing Material — Min 4-1/4 in. (108 mm) thickness of unfaced scrap duct wrap material firmly packed into opening as a permanent form. Packing material to be recessed from the top surface of the floor or from both surfaces of wall as required to accommodate the required thickness of fill material.

C. Fill Void or Cavity Material* — Sealant — Min 1/4 in. (6 mm) thickness of fill material applied within the annulus, flush with top surface of floor or with both surfaces of wall.

HILTI CONSTRUCTION CHEMICALS, DIV OF HILTI INC — FS ONE Sealant or FS-ONE MAX Intumescent Sealant.

RECTORSEAL — 835+ Sealant

SPECIFIED TECHNOLOGIES INC — Pensil 300 or SpecSeal Series SIL300 Sealant

TREMCO INC — Fyre-Sil Sealant or Fyre-Sil S/L Sealant (for floor assemblies only)

* Indicates such products shall bear the UL or cUL Certification Mark for jurisdictions employing the UL or cUL Certification (such as Canada), respectively.

