



Classified by  
Underwriters Laboratories, Inc.  
to UL 2079 and CAN/ULC-S115

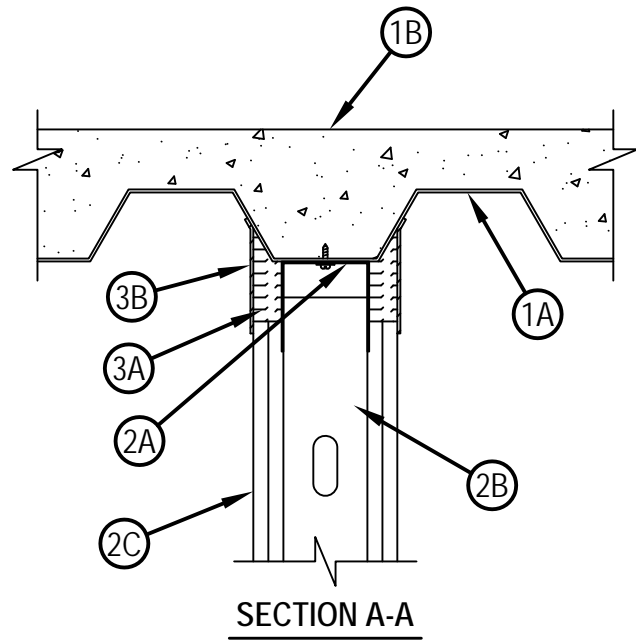
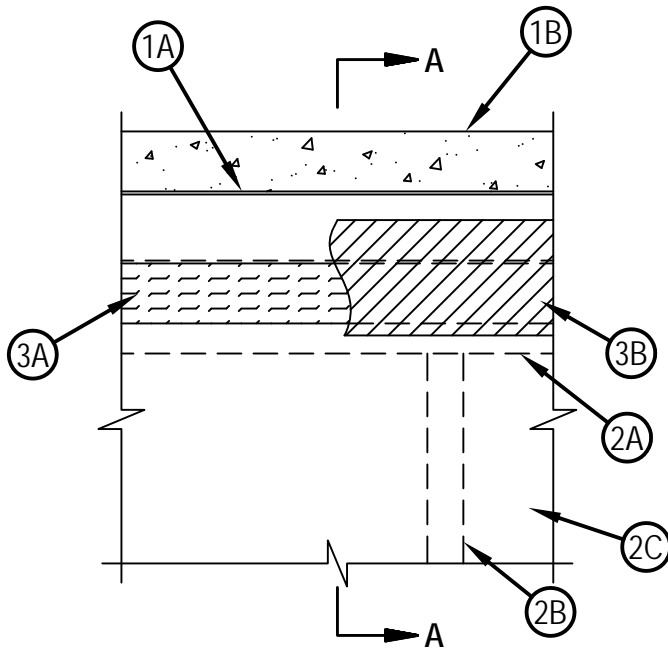
# System No. HW-D-1067

Assembly Ratings — 1 and 2 Hr (See Item 2)

Nominal Joint Width — 2-1/2 In.

Class II Movement Capabilities — 40% Compression or Extension

HWD 1067



1. Floor Assembly — The fire-rated fluted steel deck/concrete floor assembly shall be constructed of the materials and in the manner described in the individual D900 Series Floor-Ceiling Design in the UL Fire Resistance Directory and shall include the following construction features:

- A. Steel Floor and Form Units\* — Max 3 in. (76 mm) deep galv steel fluted floor units.
- B. Concrete — Min 2-1/2 in. (64 mm) thick reinforced concrete, as measured from the top plane of the floor units.

1A. Roof Assembly — (Not Shown) — As an alternate to the floor assembly, a fire rated fluted steel deck roof assembly may be used. The roof assembly shall be constructed of the materials and in the manner described in the individual P900 Series Roof-Ceiling Design in the UL Fire Resistance Directory. The hourly rating of the roof assembly shall be equal to or greater than the hourly rating of the wall assembly. The roof assembly shall include the following construction features:

- A. Steel Roof Deck — Max 3 in. (76 mm) deep galv steel fluted roof deck.
- B. Roof Insulation — Min 2-1/4 in. (57 mm) thick poured insulating concrete, as measured from the top plane of the steel roof deck.



**Hilti Firestop Systems**

Reproduced by HILTI, Inc. Courtesy of  
Underwriters Laboratories, Inc.

June 07, 2010



Classified by  
Underwriters Laboratories, Inc.  
to UL 2079 and CAN/ULC-S115

## System No. HW-D-1067

Assembly Ratings — 1 and 2 Hr (See Item 2)

Nominal Joint Width — 2-1/2 In.

Class II Movement Capabilities — 40% Compression or Extension

HW-D-1067

2. Wall Assembly — The 1 hr or 2 hr fire rated gypsum board /steel stud wall assembly shall be constructed of the materials and in the manner described in the individual U400 or V400 Series Wall and Partition Design in the UL Fire Resistance Directory and shall include the following construction features:

- A. Steel Floor and Ceiling Runners — Floor and ceiling runners of wall assembly shall consist of galv steel channels sized to accommodate steel studs (Item 2B). Flange height of ceiling runner shall be min 1/4 in. (6 mm) greater than max extended joint width.. Ceiling runner centered beneath and parallel with the valley of the deck and secured to valley with steel fasteners, steel masonry anchors or welds spaced max 24 in. (610 mm) OC.
- B. Studs — Steel studs to be min 3-1/2 in. (89 mm) wide. Studs cut 1-1/4 in. to 1-1/2 in. (32 to 38 mm) less in length than assembly height with bottom nesting in and resting on floor runner and with top nesting in ceiling runner without attachment. Stud spacing not to exceed 24 in. (610 mm) OC.
- C. Gypsum Board\* — Gypsum board installed to a min total thickness of 5/8 in. (16 mm) or 1-1/4 in. (32 mm) on each side of wall for 1 hr and 2 hr rated assemblies, respectively. Wall to be constructed as specified in the individual Wall and Partition Design in the UL Fire Resistance Directory, except that a max 2-1/2 (64 mm) gap shall be maintained between the top of the gypsum board and the bottom of the steel deck and the top row of screws shall be installed into the studs 5 in. (127 mm) below the lower surface of the floor or roof.

The hourly rating of the joint system is dependent on the hourly rating of the wall.

3. Joint System — Max separation between bottom of floor or roof and top of gypsum board at time of installation of joint system is 2-1/2 in. (64 mm). The joint system is designed to accommodate a max 40 percent compression or extension from its installed width. The joint system consists of forming material and a fill material, as follows:

- A. Forming Material\* — Nom 5/8 in. or 1-1/4 in. (16 or 32 mm) wide strips of min 4 pcf (64 kg/m<sup>3</sup>) mineral wool batt insulation, for 1 and 2 Hr rated assemblies, respectively. Strips compressed 50 percent in thickness and inserted cut-edge first into gap between top of gypsum board and bottom of the floor or roof deck, flush with both surfaces of the wall. Adjoining lengths of batt to be tightly butted with butted seams spaced min 48 in. (1.2 m) apart along the length of the joint.  
FIBREX INSULATIONS INC — FBX Safing Insulation  
ROCK WOOL MANUFACTURING CO — Delta Board  
ROXUL INC — SAFE  
THERMAFIBER INC — Type SAF

A1. Forming Material\* - Strips — As an alternate to Item 3A, nom 5/8 in.(16 mm) and 1-1/4 in. (32 mm) wide precut mineral wool strips for 1 and 2 hr rated assemblies, respectively. The strips are compressed 50 percent in thickness and inserted cut-edge first into the gap between the top of the gypsum board and the bottom of the floor or roof deck, flush with both surfaces of the wall. Adjoining lengths of strips to be tightly butted with butted seams spaced min 48 in. (1.2 m) apart along the length of the joint.

HILTI CONSTRUCTION CHEMICALS, DIV OF

HILTI INC — CP 767 Speed Strips

B. Fill, Void or Cavity Material\* — Min 1/16 in. (1.6 mm) dry thickness (min 1/8 in. or 3.2 mm wet thickness) of fill material sprayed on each side of the wall to completely cover mineral wool forming material and to overlap a min of 1/2 in. (13 mm) onto gypsum board and steel deck on both sides of wall.

HILTI CONSTRUCTION CHEMICALS, DIV OF

HILTI INC — CP672 Firestop Spray or CFS-SP WB Firestop Joint Spray

\*Bearing the UL Classification Mark



**Hilti Firestop Systems**

Reproduced by HILTI, Inc. Courtesy of  
Underwriters Laboratories, Inc.

June 07, 2010