

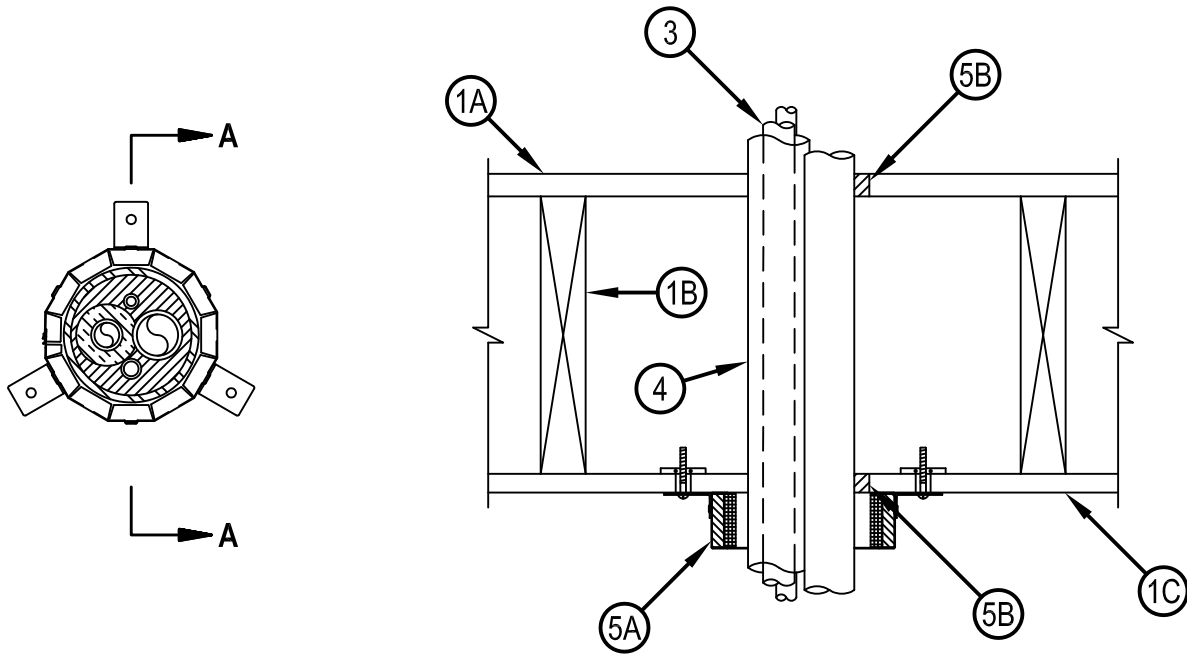


Classified by  
Underwriters Laboratories, Inc.  
to UL 1479

## System No. F-C-8009

ANSI/UL1479 (ASTM E814)	CAN/ULC S115
F Rating — 1 Hr	F Rating — 1 Hr
T Rating — 1 Hr	FT Rating — 1 Hr
	FH Rating — 1 Hr
	FTH Rating — 1 Hr

FC 8009



**SECTION A-A**

System tested with a pressure differential of 2.5 Pa between the exposed and the unexposed surfaces with the higher pressure on the exposed side.

1. Floor-Ceiling Assembly — The 1 hr fire-rated wood joist floor-ceiling assembly shall be constructed of the materials and in the manner specified in the individual L500 Series Floor-Ceiling Designs in the UL Fire Resistance Directory, as summarized below:
  - A. Flooring System — Lumber or plywood subfloor with finish floor of lumber, plywood or Floor Topping Mixture\* as specified in the individual Floor-Ceiling Design. Max diam of opening is 3 in. (76 mm).
  - B. Wood Joists — Nom 10 in. (254 mm) deep (or deeper) lumber, steel or combination lumber and steel joists, trusses or Structural Wood Members\* with bridging as required and with ends firestopped.
  - C. Gypsum Board\* — Thickness, type, number of layers and fasteners shall be as specified in the individual Floor-Ceiling Design. Max diam of opening in ceiling [when chase wall (Item 2) is not provided] is 3 in. (76 mm).
2. Chase Wall — (Optional, Not Shown) — The through penetrant (Item 3) may be routed through a 1 hr fire-rated single, double or staggered wood stud/gypsum wallboard chase wall constructed of the materials and in the manner specified in the individual U300 Series Wall and Partition Designs in the UL Fire Resistance Directory and shall include the following construction features:
  - A. Studs — Nom 2 by 6 in. (51 by 152 mm) lumber or double nom 2 by 4 in. (51 by 102 mm) lumber studs.
  - B. Sole Plate — Nom 2 by 6 in. (51 by 152 mm) lumber or parallel 2 by 4 in. (51 by 102 mm) lumber plates, tightly butted. Max diam of opening shall be 3 in. (76 mm).
  - C. Top Plate — The double top plate shall consist of two nom 2 by 6 in. (51 by 152 mm) lumber plates or 2 sets of parallel nom 2 by 4 in. (51 by 102 mm) lumber, tightly butted. Max diam of opening is 3 in. (76 mm).
  - D. Gypsum Board\* — Thickness, type, number of layers and fasteners shall be as specified in individual Wall and Partition Design.



**Hilti Firestop Systems**

Reproduced by HILTI, Inc. Courtesy of  
Underwriters Laboratories, Inc.

January 21, 2015

## System No. F-C-8009

FC 8009

3. Through Penetrants — Pipe, cable and tubing to be bundled and rigidly supported on both sides of floor assembly. A nominal annular space of min 0 in. (point contact) to max 1/2 in. (13 mm) is required within the firestop system. The following types and sizes of pipe, cable and tubing are to be used in the firestop system in sufficient quantities to fill the firestop device:
- A. Cable — Type PJT thermoset cable, 5/C No. 18 AWG copper conductor, plastic insulation and jacket.
  - B. Polyvinyl Chloride (PVC) Pipe — Nom 1-1/2 in. (38 mm) diam (or smaller) Schedule 40 solid core PVC pipe for use in closed (process or supply) or vented (drain, waste or vent) piping systems.
  - C. Copper Tubing — Nom 3/4 in. (19 mm) diam (or smaller) Type L (or heavier) copper tubing.
  - D. Copper Tubing — Nom 1/2 in. (13 mm) diam (or smaller) Type L (or heavier) copper tubing.
4. Tube Insulation — Plastics+ — Nom 1/2 in. (13 mm) thick acrylonitrile butadiene/polyvinyl chloride (AB/PVC) flexible foam furnished in the form of tubing. Insulation to be installed only on one through penetrant having a max nominal diam of 3/4 in. (19 mm).  
See Plastics+ (QMFZ2) category in the Recognized Component Directory for names of manufacturers. Any Recognized Component tube insulation material meeting the above specifications and having a UL94 Flammability Classification of 94-5VA may be used.
5. Firestop System — The firestop system shall consist of the following:
- A. Firestop Device\* — Firestop Collar — Firestop collar shall be installed in accordance with the accompanying installation instructions. Collar to be installed and latched around the penetrants and secured to underside of gypsum wallboard ceiling using the anchor hooks provided with the collar. The anchor hooks are to be secured to the surface of the ceiling with min 3/16 in. diam min 2-1/2 in. long toggle bolts.  
HILTI CONSTRUCTION CHEMICALS, DIV OF HILTI INC — CP 64-3 90/3"N, CP 64-3 63/2"N, CP 64-3 50/1-1/2"N .
  - B. Fill, Void or Cavity Material\* — Sealant — Min 3/4 in. (19 mm) thickness of fill material applied within the annulus, flush with top surface of floor or sole plate. Min 5/8 in. (16 mm) thickness of fill material applied within the annulus, flush with bottom surface of ceiling or lower top plate. Caulk to be forced into interstices of penetration group to max extent possible at top surface of floor or sole plate and bottom surface of ceiling or lower top plate.  
HILTI CONSTRUCTION CHEMICALS, DIV OF HILTI INC — FS611A, FS-ONE Sealant or FS-ONE MAX Intumescent Sealant

+Bearing the UL Recognized Component Mark

\*Bearing the UL Classification Marking



**Hilti Firestop Systems**

Reproduced by HILTI, Inc. Courtesy of  
Underwriters Laboratories, Inc.  
January 21, 2015

Page: 2 of 2