

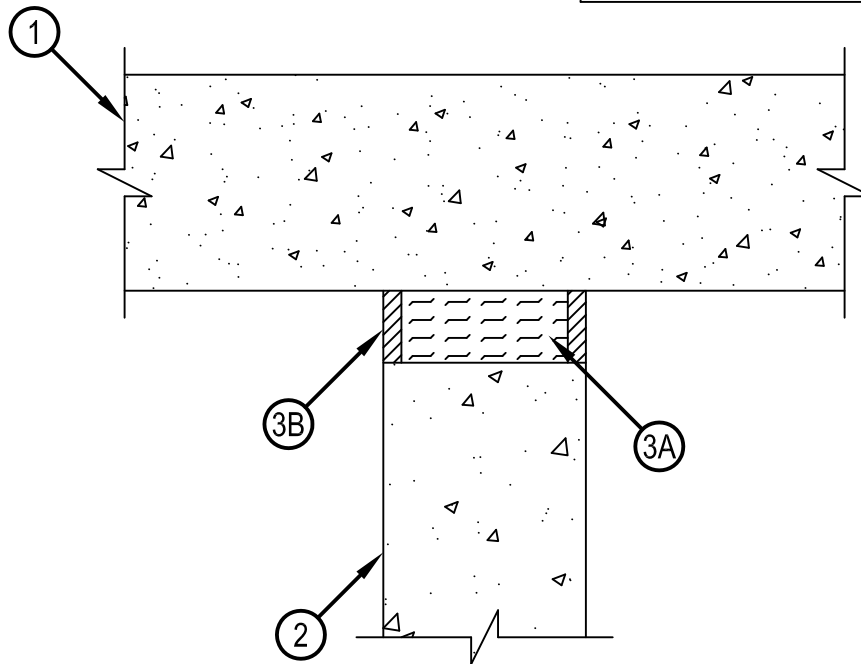


Classified by
Underwriters Laboratories, Inc.
to UL 2079 and CAN/ULC-S115

System No. HW-D-1042

HW-D-1042

ANSI/UL2079	CAN/ULC S115
Assembly Rating — 4 Hr F Rating — 4 Hr	F Rating — 4 Hr
Nominal Joint Width - 2 In.	FT Rating — 4 Hr
Class II Movement Capabilities - 12.5% Compression or Extension	FH Rating — 4 Hr
	FTH Rating — 4 Hr
	Nominal Joint Width - 2 In.
	Class II Movement Capabilities - 12.5% Compression or Extension



1. Floor Assembly — Min 6 in. thick reinforced lightweight or normal weight (100 - 150 pcf) structural concrete.
2. Wall Assembly — Min 6 in. thick reinforced lightweight or normal weight (100-150 pcf) structural concrete. Wall may also be constructed of any UL Classified Concrete Blocks*.
See Concrete Blocks (CAZT) category in the Fire Resistance Directory for names of manufacturers.
3. Joint System — Max width of joint (at time of installation of joint system) is 2 in. The joint system is designed to accommodate a max 12.5 percent compression or extension from its installed width. The joint system shall consist of the following:
 - A. Forming Material — Min 4 pcf mineral wool batt insulation installed in joint opening as a permanent form. Pieces of batt cut to min width of 5 in. and installed edge-first into joint opening, parallel with joint direction, such that batt sections are compressed min 50 percent in thickness and that the compressed batt sections are recessed a min of 1/2 in. from each surface of the wall to accommodate the required thickness of fill material. Adjoining lengths of batt to be tightly-butted with butted seams spaced min 24 in. apart along the length of the joint.
THERMAFIBER INC — Type SAF
 - B. Fill, Void or Cavity Material* - Sealant — Min 1/2 in. thickness of fill material applied within the joint, flush with each surface of wall.
HILTI CONSTRUCTION CHEMICALS, DIV OF HILTI INC — CP601S Elastomeric Firestop Sealant or CFS-S SIL GG Sealant

*Bearing the UL Classification Mark



Hilti Firestop Systems

Reproduced by HILTI, Inc. Courtesy of
Underwriters Laboratories, Inc.
December 23, 2013