

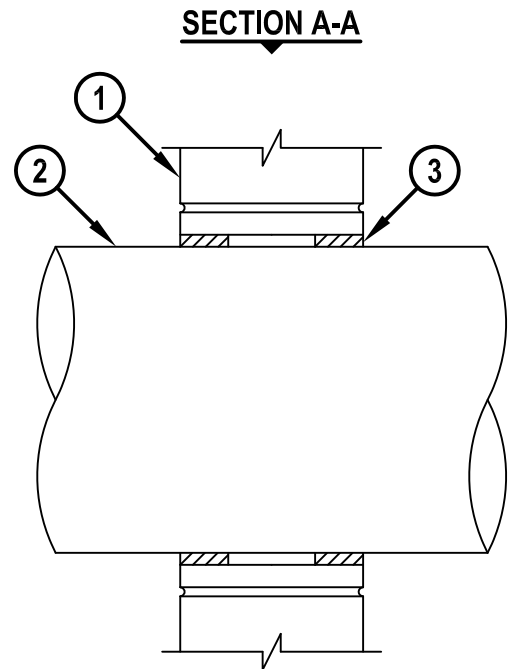
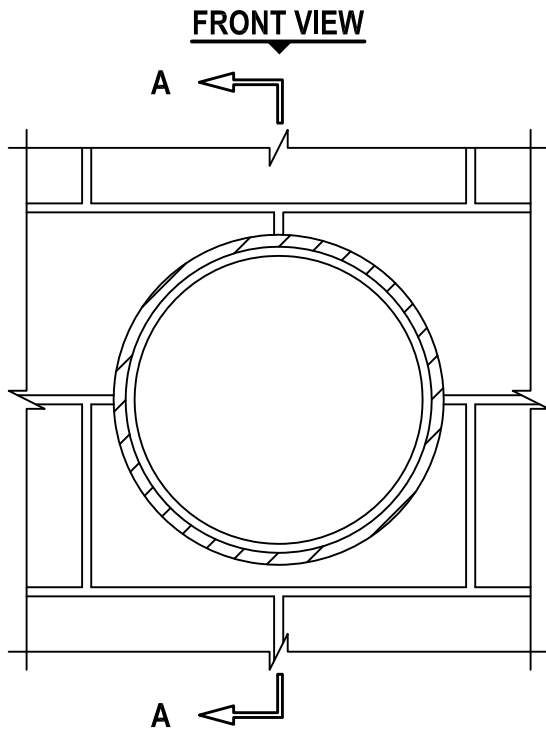
UL/cUL SYSTEM NO. W-J-1042

METAL PIPE THROUGH CONCRETE BLOCK WALL

F-RATING = 4-HR.

T-RATING = 0-HR.

WJ1042c.010815



1. ANY UL/cUL CLASSIFIED CONCRETE BLOCK WALL ASSEMBLY (MINIMUM 7-5/8" THICK) (4-HR. FIRE-RATING).
2. PENETRATING ITEM TO BE ONE OF THE FOLLOWING :
 - A. MAXIMUM 12" NOMINAL DIAMETER STEEL PIPE.
 - B. MAXIMUM 6" NOMINAL DIAMETER COPPER PIPE.
 - C. MAXIMUM 6" NOMINAL DIAMETER STEEL CONDUIT.
 - D. MAXIMUM 4" NOMINAL DIAMETER EMT.
3. MINIMUM 2" DEPTH HILTI FS-ONE MAX OR FS-ONE INTUMESCENT FIRESTOP SEALANT INSTALLED FLUSH WITH BOTH SURFACES OF WALL.

NOTES : 1. MAXIMUM DIAMETER OF OPENING = 13-5/8".
2. ANNULAR SPACE = MINIMUM 3/8", MAXIMUM 1/2".



HILTI, Inc.
Tulsa, Oklahoma USA (800) 879-8000

Sheet	1 of 1
Scale	1/8" = 1"
Date	Jan. 08, 2015

Drawing No.
WJ
1042c

Saving Lives through Innovation and Education