

# HILTI

# DG 150

Operating instructions

en

Mode d'emploi

fr

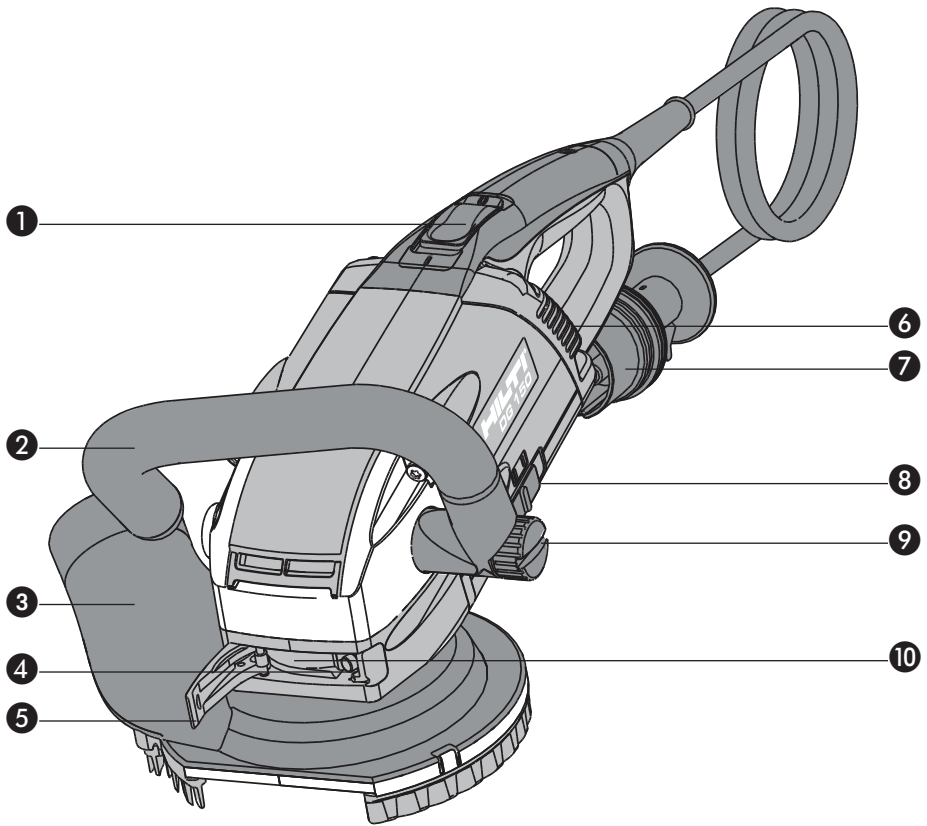
Manual de instrucciones

es

Manual de instruções

pt

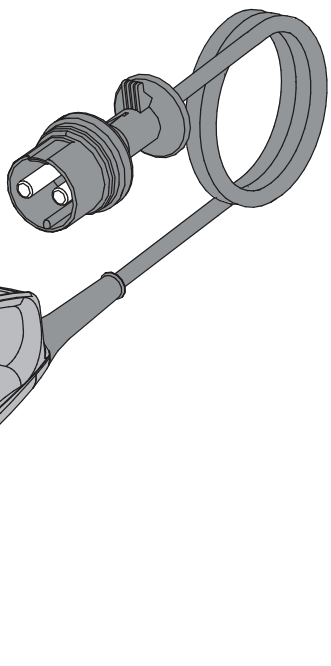
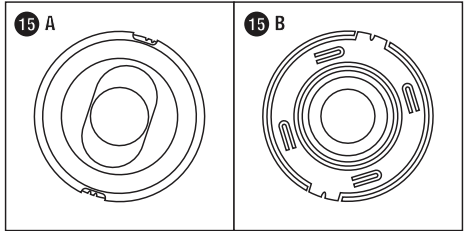
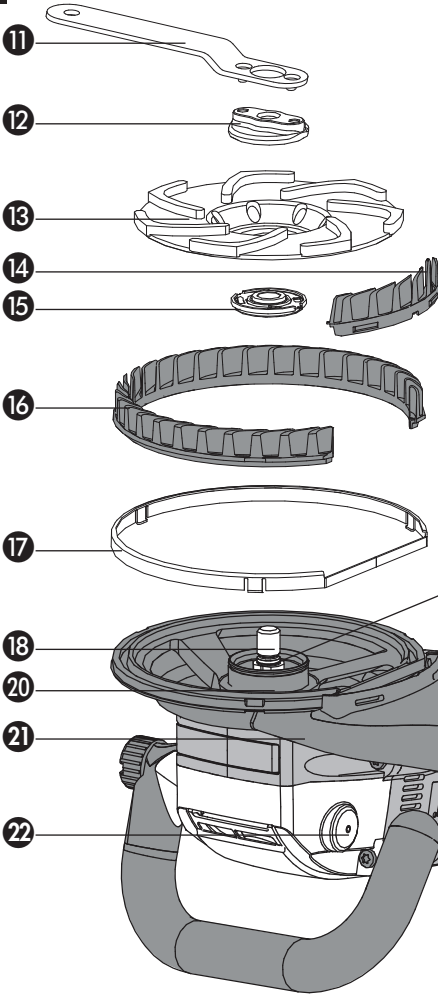
1



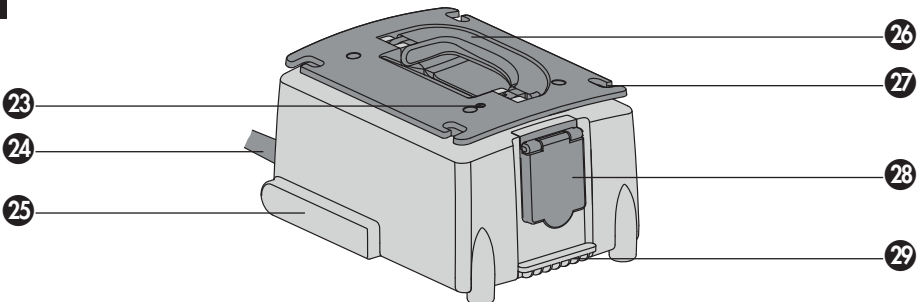
This Product is Certified  
Ce produit est homologué  
Producto homologado por  
Este producto está registrado



2



3



# ORIGINAL OPERATING INSTRUCTIONS

## DG 150 grinder with DPC 20

**It is essential that the operating instructions are read before the tool is operated for the first time.**

**Always keep these operating instructions together with the tool.**

**Ensure that the operating instructions are with the tool when it is given to other persons.**

Contents	Page
1. General information	1
2. Description	2
3. Tools and accessories	3
4. Technical data	4
5. Safety precautions	4
6. Before use	8
7. Operation	9
8. Care and maintenance	10
9. Troubleshooting	10
10. Disposal	10
11. Manufacturer's warranty – tools	11

### Operating controls and component parts of the DG 150 **1** **2**

- 1 On / off switch
- 2 Side handle
- 3 Guard assembly
- 4 Adjusting screw
- 5 Clamping lever
- 6 Indicator lamp (LED)
- 7 Supply cord plug
- 8 Speed control switch (settings 1 and 2)
- 9 Side handle fastening screw
- 10 Clamping band
- 11 Wrench
- 12 Clamping nut
- 13 Diamond cup wheel
- 14 Lamellar seal, small
- 15 Clamping flange
- 16 Lamellar seal, large
- 17 Retaining ring
- 18 Spindle
- 19 Circlip
- 20 Guard lower section
- 21 Guard upper section with hose connector
- 22 Spindle lockbutton

### Operating controls and component parts of the DPC20 **3**

- 23 Indicator lamp (LED)
- 24 Supply cord
- 25 Guide rib
- 26 Carrying handle
- 27 Supply cord holder
- 28 Electric socket with cover
- 29 Locking lug

## 1. General information

**1** These numbers refer to the tool's operating controls or indicators.

**1** These numbers refer to the corresponding illustrations. The illustrations can be found on the fold-out cover pages. Keep these pages open while studying the operating instructions.

In these operating instructions, the DG 150 with the DPC20 is referred to as «the tool».

### Location of identification data on the tool

The type designation and serial number can be found on the type plate on the tool. Make a note of this data in your operating instructions and always refer to it when making an enquiry to your Hilti representative or service department.

Type: \_\_\_\_\_

Serial no.: \_\_\_\_\_

Type: \_\_\_\_\_

Serial no.: \_\_\_\_\_

## 1.1 Indication of danger

### -WARNING-

Used to draw attention to a potentially dangerous situation which could lead to serious personal injury or fatal accident.

### -CAUTION-

Used to draw attention to a potentially dangerous situation which could lead to minor personal injury or damage to the equipment or other property.

### -NOTE-

Used to draw attention to an instruction or other useful information. It is not used to indicate dangerous situations or situations that could lead to damage to the equipment or other property.

## 1.2 Pictograms

### Warning signs



General warning

Warning: electricity

Warning: avoid hand injuries

Warning: hot surface

### Obligation signs



Wear eye protection

Safety helmet must be worn

Wear ear protection

Wear protective gloves

Wear breathing protection

Wear protective clothing

### Symbols



Read the operating instructions before use.

Return waste material for recycling

**RPM** /min  
Revolutions per minute

Revolutions per minute

**V**  
Volts

**Hz**  
Hertz

**A**  
Amperes

**W**  
Watts

## 2. Description

The DG 150 is an electrically-powered diamond grinding tool for use by tradesmen in the construction industry for grinding mineral materials. The DG 150 can be operated only in conjunction with the DPC 20 which, together, thus form a system.

### Use of the product as directed

The DG 150 may be operated only in conjunction with the DPC 20. Together with the industrial vacuum cleaner recommended by Hilti and the appropriate DG-CW 150/6" diamond cup wheels, the DG 150 forms an electrically-powered, hand-guided grinding system that keeps dust to a minimum. In order to ensure optimum dust extraction, an industrial vacuum cleaner in good working condition must be used at all times. To ensure safe operation, the DG 150 may be used only together with original Hilti cup wheels. The DG 150 is designed exclusively for dry grinding on the

surface of concrete or similar mineral materials and for removing thin coatings, with a maximum thickness of 3 mm, from these materials. The locally applicable health regulations and corresponding safety precautions must be observed and implemented at all times while grinding coated or uncoated mineral materials with the DG 150.

**Do not, under any circumstances, use the tool in any way other than as described in the operating instructions.**

- The tool is not suitable for grinding metals, wood or other materials not listed at paragraph 2.
- The tool is not suitable for use with diamond cutting discs, abrasive cutting or grinding discs, wire brushes or other insert tools not approved for use (see section 3).
- The tool is not suitable for wet grinding.
- Do not clamp the tool in a vice.
- Grinding materials containing asbestos is not permissible.
- Materials containing substances hazardous to health may be ground only after consultation with the local authority responsible for safety at work and in accordance with the locally applicable regulations concerning safety at work.
- Diamond cup wheels, clamping flanges and clamping nuts not listed in section 3 "Diamond cup wheels and accessories" may not be used
- Grinding off projecting objects such as nails and screws etc. is not permissible. Such objects must be removed carefully before beginning grinding.

#### Items supplied

1	DG 150 grinder
1	DPC 20 power conditioner
1	Clamping flange
1	Clamping nut
1	Wrench
1	Protective goggles
1	Operating instructions

### 3. Diamond cup wheels and accessories

#### Hilti item

Diamond cup wheels	Use/material
DG-CW 150/6" A1	Grinding highly abrasive materials such as screed and similar mineral materials
DG-CW 150/6" B1	Grinding to remove coatings with a maximum layer thickness of 3 mm from concrete and similar mineral materials
DG-CW 150/6" C1	Grinding concrete and similar mineral materials of medium hardness and medium abrasiveness
DG-CW 150/6" C10	Grinding concrete
DG-CW 150/6" C2	Grinding concrete and similar very hard and highly abrasive mineral materials
DG-CW 150/6" D1	Fine finishing of concrete and similar mineral material surfaces
Lamellar seals	One large lamellar seal and one small lamellar seal
Retaining ring	Retaining ring for attaching the large lamellar seal to the dust hood
DG 150 toolbox	Carrying case
VCD 50L	Dry-type vacuum cleaner
Clamping flange for DG 150	Special quick-stop compatible clamping flange to be used exclusively for fitting Hilti DG-CW 150/6" diamond cup wheels
Clamping nut for DG 150	Special M13 clamping nut for fitting Hilti DG-CW 150/6" diamond cup wheels

## 4. Technical data

	DG 150	DPC 20
Nominal voltage		120 V
Nominal current		15 A
Power input		1800 W
Power output		1285 W
Mains frequency		60 Hz
Rated speed at setting no.1	4700 /min	
Rated speed at setting no.2	6600 /min	
Weight in accordance with EPTA procedure 01/2003	4.1 kg (9.0 lbs)	3.8 kg (8.4 lbs)
Dimensions (l×w×h)	46×25×23 cm (18.1×9.8×9.1")	27×22×15 cm (10.6×18.7×5.9")
Electrical protection class		Protection class II $\square$ (double insulated)

### Other significant characteristics of the appliance

Time to stop after switching off  $\leq 2$  sec.

Thermal overload protection

Restart safety interlock

Right of technical changes reserved

## 5. Safety instructions

### 5.1 General power tool safety warnings



**WARNING! Read all safety warnings and all instructions.** Failure to follow the warnings and instructions may result in electric shock, fire and/or serious injury. **Save all warnings and instructions for future reference.** The term “power tool” in the warnings refers to your mains-operated (corded) power tool or battery-operated (cordless) power tool.

#### 5.1.1 Work area safety

- Keep work area clean and well lit.** Cluttered or dark areas invite accidents.
- Do not operate power tools in explosive atmospheres, such as in the presence of flammable liquids, gases or dust.** Power tools create sparks which may ignite the dust or fumes.
- Keep children and bystanders away while operating a power tool.** Distractions can cause you to lose control.

#### 5.1.2 Electrical safety

- Power tool plugs must match the outlet. Never modify the plug in any way. Do not use any adapter plugs with earthed (grounded) power tools.** Unmodified plugs and matching outlets will reduce risk of electric shock.
- Avoid body contact with earthed or grounded surfaces, such as pipes, radiators, ranges and refrigerators.** There is an increased risk of electric shock if your body is earthed or grounded.
- Do not expose power tools to rain or wet conditions.** Water entering a power tool will increase the risk of electric shock.
- Do not abuse the cord. Never use the cord for carrying, pulling or unplugging the power tool. Keep cord away from heat, oil, sharp edges or moving parts.** Damaged or entangled cords increase the risk of electric shock.
- When operating a power tool outdoors, use an extension cord suitable for outdoor use.** Use of a cord suitable for outdoor use reduces the risk of electric shock.
- If operating a power tool in a damp location is unavoidable, use a residual current device (RCD) protected supply.** Use of an RCD reduces the risk of electric shock.

### 5.1.3 Personal safety

- a) **Stay alert, watch what you are doing and use common sense when operating a power tool. Do not use a power tool while you are tired or under the influence of drugs, alcohol or medication.** A moment of inattention while operating power tools may result in serious personal injury.
- b) **Use personal protective equipment. Always wear eye protection.** Protective equipment such as dust mask, non-skid safety shoes, hard hat, or hearing protection used for appropriate conditions will reduce personal injuries.
- c) **Prevent unintentional starting. Ensure the switch is in the off-position before connecting to power source and/or battery pack, picking up or carrying the tool.** Carrying power tools with your finger on the switch or energising power tools that have the switch on invites accidents.
- d) **Remove any adjusting key or wrench before turning the power tool on.** A wrench or a key left attached to a rotating part of the power tool may result in personal injury.
- e) **Do not overreach. Keep proper footing and balance at all times.** This enables better control of the power tool in unexpected situations.
- f) **Dress properly. Do not wear loose clothing or jewellery. Keep your hair, clothing and gloves away from moving parts.** Loose clothes, jewellery or long hair can be caught in moving parts.
- g) **If devices are provided for the connection of dust extraction and collection facilities, ensure these are connected and properly used.** Use of dust collection can reduce dust-related hazards.

### 5.1.4 Power tool use and care

- a) **Do not force the power tool. Use the correct power tool for your application.** The correct power tool will do the job better and safer at the rate for which it was designed.
- b) **Do not use the power tool if the switch does not turn it on and off.** Any power tool that cannot be controlled with the switch is dangerous and must be repaired.
- c) **Disconnect the plug from the power source and/or the battery pack from the power tool before making any adjustments, changing accessories, or storing power tools.** Such preventive safety measures reduce the risk of starting the power tool accidentally.
- d) **Store idle power tools out of the reach of children and do not allow persons unfamiliar with the power tool or these instructions to operate the power tool.** Power tools are dangerous in the hands of untrained users.
- e) **Maintain power tools. Check for misalignment or binding of moving parts, breakage of parts and any other condition that may affect the power tool's operation. If damaged, have the power tool repaired before use.** Many accidents are caused by poorly maintained power tools.

- f) **Keep cutting tools sharp and clean.** Properly maintained cutting tools with sharp cutting edges are less likely to bind and are easier to control.
- g) **Use the power tool, accessories and tool bits etc. in accordance with these instructions, taking into account the working conditions and the work to be performed.** Use of the power tool for operations different from those intended could result in a hazardous situation.

### 5.1.5 Service

- a) **Have your power tool serviced by a qualified repair person using only identical replacement parts.** This will ensure that the safety of the power tool is maintained.

### 5.2 Special safety instructions

- a) **This power tool is intended to function as a grinder. Read all safety warnings, instructions, illustrations and specifications provided with this power tool.** Failure to follow all instructions listed below may result in electric shock, fire and/or serious injury.
- b) **Operations such as sanding, wire brushing, polishing or cutting-off are not recommended to be performed with this power tool.** Operations for which the power tool was not designed may create a hazard and cause personal injury.
- c) **Do not use accessories which are not specifically designed and recommended by the tool manufacturer.** Just because the accessory can be attached to your power tool, it does not assure safe operation.
- d) **The rated speed of the accessory must be at least equal to the maximum speed marked on the power tool.** Accessories running faster than their rated speed can break and fly apart.
- e) **The outside diameter and the thickness of your accessory must be within the capacity rating of your power tool.** Incorrectly sized accessories cannot be adequately guarded or controlled.
- f) **The arbour size of wheels, flanges, backing pads or any other accessory must properly fit the spindle of the power tool.** Accessories with arbour holes that do not match the mounting hardware of the power tool will run out of balance, vibrate excessively and may cause loss of control.
- g) **Do not use a damaged accessory. Before each use inspect the accessory such as abrasive wheels for chips and cracks, backing pad for cracks, tear or excess wear, wire brush for loose or cracked wires. If power tool or accessory is dropped, inspect for damage or install an undamaged accessory. After inspecting and installing an accessory, position yourself and bystanders away from the plane of the rotating accessory and run the power tool at maximum no-load speed for one minute.** Damaged accessories will normally break apart during this test time.
- h) **Wear personal protective equipment. Depending on application, use face shield, safety goggles or safety glasses. As appropriate, wear dust mask, hearing protectors, gloves and workshop apron capable**



### **of stopping small abrasive or workpiece fragments.**

The eye protection must be capable of stopping flying debris generated by various operations. The dust mask or respirator must be capable of filtering particles generated by your operation. Prolonged exposure to high intensity noise may cause hearing loss.

- i) **Keep bystanders a safe distance away from work area. Anyone entering the work area must wear personal protective equipment.** Fragments of workpiece or of a broken accessory may fly away and cause injury beyond immediate area of operation.
- j) **Hold power tool by insulated gripping surfaces only, when performing an operation where the cutting accessory may contact hidden wiring or its own cord.** Cutting accessory contacting a "live" wire may make exposed metal parts of the power tool "live" and shock the operator.
- k) **Position the cord clear of the spinning accessory.** If you lose control, the cord may be cut or snagged and your hand or arm may be pulled into the spinning accessory.
- l) **Never lay the power tool down until the accessory has come to a complete stop.** The spinning accessory may grab the surface and pull the power tool out of your control.
- m) **Do not run the power tool while carrying it at your side.** Accidental contact with the spinning accessory could snag your clothing, pulling the accessory into your body.
- n) **Regularly clean the power tool's air vents.** The motor's fan will draw the dust inside the housing and excessive accumulation of powdered metal may cause electrical hazards.
- o) **Do not operate the power tool near flammable materials.** Sparks could ignite these materials.
- p) **Do not use accessories that require liquid coolants.** Using water or other liquid coolants may result in electrocution or shock.

### **5.2.1 Further safety instructions for all operations Kickback and related warnings**

Kickback is a sudden reaction to a pinched or snagged rotating wheel, backing pad, brush or any other accessory. Pinching or snagging causes rapid stalling of the rotating accessory which in turn causes the uncontrolled power tool to be forced in the direction opposite of the accessory's rotation at the point of the binding.

For example, if an abrasive wheel is snagged or pinched by the workpiece, the edge of the wheel that is entering into the pinch point can dig into the surface of the material causing the wheel to climb out or kick out. The wheel may either jump toward or away from the operator, depending on direction of the wheel's movement at the point of pinching. Abrasive wheels may also break under these conditions.

Kickback is the result of power tool misuse and/or incorrect operating procedures or conditions and can be avoided by taking proper precautions as given below.

- a) **Maintain a firm grip on the power tool and position your body and arm to allow you to resist kickback forces. Always use auxiliary handle, if provided, for maximum control over kickback or torque reaction during start-up.** The operator can control torque reactions or kickback forces, if proper precautions are taken.
- b) **Never place your hand near the rotating accessory.** Accessory may kickback over your hand.
- c) **Do not position your body in the area where power tool will move if kickback occurs.** Kickback will propel the tool in direction opposite to the wheel's movement at the point of snagging.
- d) **Use special care when working corners, sharp edges etc. Avoid bouncing and snagging the accessory.** Corners, sharp edges or bouncing have a tendency to snag the rotating accessory and cause loss of control or kickback.
- e) **Do not attach a saw chain woodcarving blade or toothed saw blade.** Such blades create frequent kickback and loss of control.

### **5.2.2 Safety warnings specific for grinding operations**

- a) **Use only wheel types that are recommended for your power tool and the specific guard designed for the selected wheel.** Wheels for which the power tool was not designed cannot be adequately guarded and are unsafe.
- b) **The guard must be securely attached to the power tool and positioned for maximum safety, so the least amount of wheel is exposed towards the operator.** The guard helps to protect operator from broken wheel fragments and accidental contact with wheel.
- c) **Wheels must be used only for recommended applications. For example: do not grind with the side of cut-off wheel.** Abrasive cut-off wheels are intended for peripheral grinding, side forces applied to these wheels may cause them to shatter.
- d) **Always use undamaged wheel flanges that are of correct size and shape for your selected wheel.** Proper wheel flanges support the wheel thus reducing the possibility of wheel breakage. Flanges for cut-off wheels may be different from grinding wheel flanges.
- e) **Do not use worn down wheels from larger power tools.** Wheel intended for larger power tool is not suitable for the higher speed of a smaller tool and may burst.

### **5.3 Additional safety instructions**

#### **5.3.1 Personal safety**

- a) Take care to avoid tripping over the supply cord, extension cord or extraction hose.
- b) The side handle must be fitted to the tool at all times when in use.
- c) Keep the grips dry, clean and free from oil and grease.
- d) The tool must be held by both hands when in use.

e) **Improve the blood circulation in your fingers by relaxing your hands and exercising your fingers during breaks between working.**

f) **Check each time before using the power tool, including after work breaks, that the wheel is fitted securely.**

**-CAUTION-**

The rotating wheel presents a risk of injury. **Accordingly, operate the power tool only when the wheel is directed toward the workpiece.**

g) Use clamps or a vice to secure loose workpieces.

h) Take care to avoid concealed electric cables, gas and water pipes. Check the working area, e.g. using a metal detector.

i) Sparks may fly when grinding. Take care to ensure that flying sparks do not present a hazard to other persons.

j) Conductive dust may collect inside the tool when grinding conductive materials. This may have a negative effect on the insulation of the tool and cause electric shocks. As a result, tools used for this application must be checked by a technical specialist or HiIt service department at least every six months to ensure integrity of the insulation and to check for possible accumulation of conductive dust or other conductive substances.

k) **-CAUTION-** The tool continues to run for approx. 2 seconds after switching off.

l) **The tool is not intended for use by children, by debilitated persons or those who have received no instruction or training.**

m) **Children must be instructed not to play with the tool.**



n) Observe the direction-of-rotation arrow when fitting a wheel.



o) Do not touch the supply cord in the event of it becoming damaged while working. Disconnect the supply cord plug from the socket.

p) Test new wheels by running them at maximum no-load speed for at least 30 seconds.

q) - **WARNING** - Do not disconnect the plug of the DG 150 from the power unit DPC 20 under load.

r) **Hold tool by insulated gripping surfaces when performing an operation where the cutting tool may contact hidden wiring or its own cord.** Contact with a "live" wire will make exposed metal parts of the tool "live" and shock the operator.



s) The diamond cup wheel, parts of the guard or the tool (gearing section) may become hot during operation.

To avoid burns, do not touch these parts with the bare hands. Wear safety gloves.



t) Connect the tool to the industrial vacuum cleaner.

u) Unless stated otherwise in the operating instructions, damaged protective equipment and parts must be correctly repaired or replaced at an accredited service workshop.

v) For safety reasons, the tool may be operated only when the guard and when safety gloves are worn.

w) The guard may be adjusted only when the tool has been switched off and the supply cord unplugged.

Grinding may produce hazardous dust.

x) Before starting work, find out to which dangerous material class the grinding dust produced belongs. Use the tool in conjunction with an industrial vacuum cleaner with an officially approved safety classification and which complies with the local dust protection regulations.

y) When grinding, the industrial vacuum cleaner used must be equipped with a filter suitable for the application.

z) **WARNING: Some dust created by grinding, sanding, cutting and drilling contains chemicals known to cause cancer, birth defects, infertility or other reproductive harm; or serious and permanent respiratory or other injury.** Some examples of these chemicals are: lead from lead-based paints, crystalline silica from bricks, concrete and other masonry products and natural stone, arsenic and chromium from chemically treated lumber. Your risk from these exposures varies, depending on how often you do this type of work. **To reduce exposure to these chemicals, the operator and bystanders should work in a well-ventilated area, work with approved safety equipment, such as respiratory protection appropriate for the type of dust generated, and designed to filter out microscopic particles and direct dust away from the face and body. Avoid prolonged contact with dust. Wear protective clothing and wash exposed areas with soap and water.** Allowing dust to get into your mouth, eyes, or to remain on your skin may promote absorption of harmful chemicals.

### 5.3.2 Personal protective equipment



a) **The user and any other persons in the vicinity must wear ANSI Z87.1-approved eye protection, a safety helmet, ear protection, safety gloves and breathing protection and protective clothing when grinding.**

b) Wear knee protectors when working on floors.



## 6. Before use

It is essential that the safety precautions printed in these operating instructions are read and observed.

 	<b>-CAUTION-</b>
	<ul style="list-style-type: none"><li>■ The cup wheel or parts of the guard may become hot during use.</li><li>■ These parts may burn your hands.</li><li>■ Wear safety gloves when changing the cup wheel or adjusting the guard.</li></ul>

### 6.1 Guard

**-WARNING-** The tool may be used only with the guard fitted.

A damaged or incomplete guard must be replaced immediately.

#### 6.1.1 Adjusting the guard

The extraction hose connector can be brought into the most favourable position for working by rotating the entire guard.

##### Rotating the guard

1. Switch the tool off.
2. Disconnect the supply cord plug from the socket.
3. Open the clamping lever.
4. Rotate the guard.

**-NOTE-** When the extraction hose connector comes into contact with the opened lever, the guard can be rotated further by moving it downwards.


5. Close the clamping lever.

#### 6.1.2 Adjusting the guard to the work surface

1. Switch the tool off.
2. Disconnect the supply cord plug from the socket.
3. Lay the tool down on the cup wheel.
4. Open the clamping lever.
5. Rotate the guard and adjust it to the optimum height.  
**-NOTE-** For optimum dust extraction while grinding, the lamellar seal should be almost in contact with the work surface (gap 0 ... 1 mm).
6. Close the clamping lever.

#### 6.1.3 Adjusting the guard for working close to edges

The opening in the lower section of the guard can be rotated until part of the cup wheel is exposed. This is of advantage, for example, when grinding close to a wall.

	<b>-WARNING-</b>
	<ul style="list-style-type: none"><li>■ The guard is used in a partly open position for working close to edges.</li><li>■ The rotating cup wheel presents a risk of serious injury.</li><li>■ Work carefully when the guard is open and close it again when you have finished working at the edge.</li></ul>

**-NOTE-** More dust may escape from the guard when working at edges.

### Adjusting the guard

1. Switch the tool off.
2. Disconnect the supply cord plug from the socket.
3. Open the clamping lever.
4. Rotate the upper and lower sections of the guard in opposing directions until they are in a suitable position.
5. Close the clamping lever

**-NOTE-** The guard engages perceptibly in the closed, normal position.

**-NOTE-** If the guard is not held securely when the lever is closed, tighten the clamping band by turning the adjusting screw in a clockwise direction.

If the guard cannot be moved when the lever is open, release the clamping band by turning the adjusting screw in a counter-clockwise direction.

### 6.2 Side handle

#### 6.2.1 Using and adjusting the side handle

For safety reasons, the side handle must always be used. It can be adjusted in two axes until in the most favourable working position:

- Two angled positions for right or left-handed use
- Pivoted forwards / back in increments

1. Switch the tool off.
2. Disconnect the supply cord plug from the socket.
3. Release the side handle by turning the clamping screw in a counter-clockwise direction.
4. Bring the side handle into the desired position.
5. Tighten the clamping screw by turning it in a clockwise direction.

### 6.3 Diamond cup wheel

● The tool must always be switched off and the supply cord plug disconnected before manipulating the cup wheel in any way.

● Press in the spindle lockbutton (only when rotation has stopped).

● When changing the cup wheel, clean all cup wheel mounting parts.

● Use only original Hilti diamond cup wheels, clamping flanges and clamping nuts.

### 6.3.1 Fitting the diamond cup wheel

1. Place the clamping flange on the spindle, with the O-shaped recess underneath, ensuring that it engages securely. **15A**
2. Place the cup wheel on the centering collar of the clamping flange. **15B**
3. Screw on the clamping nut in a clockwise direction and tighten it by hand or with the wrench against the resistance of the motor / gearing.

### 6.3.2 Removing the diamond cup wheel

1. Press in the spindle lockbutton and hold it in this position.
2. Release the clamping nut by turning it with the wrench in a counter-clockwise direction.
3. Release the spindle lockbutton.
4. Remove the diamond cup wheel.

### 6.3.3 Changing the speed setting

The tool provides two different speed settings.

#### Recommendation

Setting I: 4700 /min


Use this setting for grinding soft mineral materials such as paint coatings on cement rendering. At this speed setting, dust extraction performance is improved and the tool can be guided more easily for removing coatings from soft materials.


Setting II: 6600 /min

Use this setting for grinding hard mineral materials such as concrete, screed or rock in order to obtain full grinding performance.

## 7. Operation

It is essential that the safety precautions printed in these operating instructions are read and observed.

<b>-CAUTION-</b>	
	<ul style="list-style-type: none"><li>■ Grinding may produce hazardous dust.</li><li>■ The dust produced by grinding may be damaging to the lungs and eyes.</li><li>■ Use a dust extraction system, wear a safety helmet, breathing protection and eye protection.</li></ul>

<b>-CAUTION-</b>	
	<ul style="list-style-type: none"><li>■ The tool and the grinding operation emit noise.</li><li>■ Excessive noise may damage the hearing.</li><li>■ Wear ear protection.</li></ul>

### 7.1 Switching the tool on

1. Connect the hose between the tool and the industrial vacuum cleaner.
2. Connect the electric cable between the DG 150 and the DPC 20.
3. Connect the DPC 20 to the mains supply.
4. Lift the tool away from the work surface.
5. Push the on / off switch forward to the ON (I) position.  
The switch engages in the ON (I) position.  
After a power cut, the tool can be restarted by moving the on / off switch to the OFF (O) position and then to the ON (I) position.

### 7.2 Testing new diamond cup wheels

Allow the tool to run for at least 30 seconds under no load. The diamond cup wheel should not be used if it vibrates. Do not subject diamond cup wheels to impacts and keep them free from grease.

### 7.3 Grinding

- Caution. During testing, operation and until the cup wheel has come to a stop, the DG 150 should always be operated in contact with or close to the material.
- Never operate the tool without its protective equipment.
- Use only Hilti DG-CW 150/6" diamond cup wheels.
- Apply moderate pressure, appropriate to the material being ground. Move the tool from side to side and do not press the diamond cup wheel into the material.
- The diamond cup wheel may overheat and suffer damage when grinding particularly hard mineral materials, e.g. concrete containing a high proportion of hard aggregates. Should this occur, the grinding operation must be interrupted and the diamond cup wheel allowed to cool for a short time with the tool running under no load.
- Slower progress may indicate that the diamond cup wheel has lost cutting power (segments have become polished). The segments can be resharpened by grinding an abrasive material (Hilti sharpening plate or abrasive sand-lime block).

### 7.4 Switching the tool off

1. Press the on / off switch. When released, the switch returns to the OFF position.
2. Disconnect the supply cord from the socket.
3. If an industrial vacuum cleaner is used, disconnect the hose between the tool and the vacuum cleaner.

## 8. Care and maintenance

Disconnect the supply cord plug from the socket before manipulating the DG 150 or DPC 20 (making adjustments, cleaning, etc.).

The ventilation slots in the motor housing must be unobstructed and kept clean at all times. Do not use metal objects for cleaning.

Under extreme conditions, conductive dust may collect inside the tool when grinding mineral materials. This may have a negative effect on the tool's protective insulation.

### -CAUTION-

**Keep the power tool, especially its grip surfaces, clean and free from oil and grease. Do not use cleaning agents which contain silicone.**

The outer casing of the tool is made from impactresistant plastic. Sections of the grip are made from a synthetic rubber material. Never operate the tool when the ventilation slots are blocked. Clean the ventilation slots carefully using a dry brush. Do not permit foreign objects to enter the interior of the tool. Clean the outside of the tool at regular intervals with a slightly damp cloth. Do not use a spray, steam pressure cleaning equipment or running water for cleaning. This may negatively affect the electrical safety of the tool.

### 8.1 Replacing the guard's lamellar seal

Replace the guard's lamellar seal at least each time the cup wheel is changed.

**-NOTE-** Disassembly / assembly of the seal parts can be facilitated by rotating the parts of the guard in relation to each other.

#### Disassembly

1. Always switch the tool off and unplug the supply cord before making adjustments to the tool or changing parts, etc.
2. Use a screwdriver to press the three lugs of the retaining ring over the edge of the guard.
3. Remove the large lamellar seal from the retaining ring.
4. Release the small lamellar seal by pressing with a screwdriver in the two slots on the outside of the guard.

#### Assembly

1. Clean the locating grooves to remove large dust particles.
2. Press the small lamellar seal into the guide in the guard until it engages.
3. Place the large lamellar seal in the groove in the retaining ring.
4. Press the retaining ring with the lamellar seal over the edge of the guard until it engages.

### 8.2 Repairs

The tool has been manufactured and tested with great care. Nevertheless, in the event of a fault developing, the tool should be returned to a Hilti service centre for repair. The tool may be repaired by trained electrical specialists only.

## 9. Troubleshooting

### 9.1 DG 150 indicator lamp (LED)

Overheating of the tool is indicated by the lamp blinking red. The lamp continues to blink for the duration of the fault, irrespective of the switch position.

In the event of the lamp blinking red, switch the tool off and allow it to cool until the red lamp no longer blinks.

### 9.2 DPC 20 indicator lamp (LED)

Indicator status:

- a) Green lamp lights continuously

This indicates that the DPC 20 is ready for operation.

The DPC 20 is connected to the mains supply and indicates no malfunctions. This is the normal status.

- b) Green blinking

This may occur with 100 V to 120 V versions when under load. This indicates that the mains voltage is too low. The DG 150 reacts by achieving significantly lower performance.

- c) Red blinking

This indicates that the DPC 20 is reacting to irregularities in the electric supply (e.g. current or voltage too high, too low) or to a temperature irregularity. The indicator changes to green when the problem has been rectified. If the indicator continues to blink red, unplug the supply cord from the mains supply, wait a few seconds and then reconnect it. The output fuses should be checked if the indicator does not then change to green.

### No indication

The DPC 20 is receiving no power from the mains supply. This could be caused by the mains supply itself, the supply cord or extension cable or a fault in the DPC 20. It is not immediately possible to determine whether the indicator itself is defective. For this reason, the DPC 20 should be checked together with the DG 150 at regular intervals, at least every six months, by a trained specialist or at a Hilti service centre.

## 10. Disposal



Return waste material for recycling

Most of the materials from which Hilti electric tools are manufactured can be recycled. The materials must be correctly separated before they can be recycled. In many countries, Hilti has already made arrangements for taking back your old electric tools for recycling. Please ask your Hilti customer service department or Hilti representative for further information.

## 11. Manufacturer's warranty – tools

Hilti warrants that the tool supplied is free of defects in material and workmanship. This warranty is valid so long as the tool is operated and handled correctly, cleaned and serviced properly and in accordance with the Hilti Operating Instructions, and the technical system is maintained. This means that only original Hilti consumables, components and spare parts may be used in the tool.

This warranty provides the free-of-charge repair or replacement of defective parts only over the entire lifespan of the tool. Parts requiring repair or replacement as a result of normal wear and tear are not covered by this warranty.

**Additional claims are excluded, unless stringent national rules prohibit such exclusion. In particular, Hilti is not obligated for direct, indirect, incidental or consequential damages, losses or expenses in connection with, or by reason of, the use of, or inability to use the tool for any purpose. Implied warranties of merchantability or fitness for a particular purpose are specifically excluded.**

For repair or replacement, send tool or related parts immediately upon discovery of the defect to the address of the local Hilti marketing organization provided.

This constitutes Hilti's entire obligation with regard to warranty and supersedes all prior or contemporaneous comments and oral or written agreements concerning warranties.



# Meuleuse DG 150 avec DPC 20

**Avant de mettre en marche l'appareil, lire absolument son mode d'emploi.**

**Le présent mode d'emploi doit toujours accompagner l'appareil.**

**Ne prêter ou céder l'appareil à quelqu'un d'autre qu'en lui fournissant aussi le mode d'emploi.**

Sommaire	Page
1. Consignes générales	13
2. Description	14
3. Meules-boisseaux diamant et accessoires	15
4. Caractéristiques techniques	16
5. Consignes de sécurité	16
6. Mise en marche	20
7. Utilisation	21
8. Nettoyage et entretien	22
9. Guide de dépannage	23
10. Recyclage	23
11. Garantie constructeur des appareils	23

## Éléments de commande et principaux éléments de l'appareil DG 150 1 2

- 1 Interrupteur Marche/Arrêt
- 2 Poignée latérale
- 3 Ens. carter de protection
- 4 Vis de réglage
- 5 Levier de serrage
- 6 DEL témoin lumineux
- 7 Fiche de l'appareil
- 8 Sélecteur de vitesse (vitesse 1 ou 2)
- 9 Vis de blocage de la poignée latérale
- 10 Bande de serrage
- 11 Clé à ergots
- 12 Ecrou de serrage
- 13 Meule-boisseau diamant
- 14 Petit joint à lamelles
- 15 Flasque de serrage
- 16 Gros joint à lamelles
- 17 Anneau-support
- 18 Broche
- 19 Circlip
- 20 Partie inférieure du carter de protection
- 21 Partie supérieure du carter de protection avec tubulure d'aspiration
- 22 Bouton de blocage de la broche

## Éléments de commande et principaux éléments de l'appareil DPC 20 3

- 23 DEL témoin lumineux
- 24 Cordon
- 25 Listel de guidage
- 26 Poignée de transport
- 27 Point de blocage du câble
- 28 Prise avec couvercle rabattable
- 29 Ergot de blocage

## 1. Consignes générales

① Ces chiffres renvoient aux éléments de commande ou éléments indicateurs correspondants de l'appareil.

1 Ces chiffres renvoient aux illustrations correspondant au texte, qui se trouvent sur les pages rabattables précédentes. Pour lire le mode d'emploi, rabattre ces pages de manière à voir les illustrations.

Dans le texte du présent mode d'emploi, le terme «appareil» désigne toujours la DG 150 avec le DPC 20.

### Emplacement des détails d'identification sur l'appareil

La désignation du modèle et le numéro de série de votre appareil figurent sur sa plaquette signalétique. Inscrivez ces renseignements dans votre mode d'emploi et référez-vous y toujours si vous voulez demander quelque chose à notre représentation ou à votre agence Hilti.

Modèle: \_\_\_\_\_

N° de série: \_\_\_\_\_

Modèle: \_\_\_\_\_

N° de série: \_\_\_\_\_



## 1.1 Mots signalant un danger

### -AVERTISSEMENT- (WARNING)

Ce mot est utilisé pour attirer l'attention sur une situation potentiellement dangereuse qui pourrait conduire à de graves blessures corporelles, voire à un accident mortel.

### -ATTENTION- (CAUTION)

Ce mot est utilisé pour attirer l'attention sur une situation potentiellement dangereuse qui pourrait conduire à de légères blessures corporelles ou à des dégâts matériels.

### -REMARQUE- (NOTE)

Ce mot est utilisé pour attirer l'attention sur une instruction d'utilisation de l'appareil ou toute autre information utile. Il n'est pas utilisé pour indiquer des situations dangereuses ou des situations qui pourraient conduire à des dégâts matériels.

## 1.2 Pictogrammes

### Symboles d'avertissement



Avertissement:  
danger général!

Avertissement:  
tension  
électrique  
dangereuse!

Avertissement:  
attention à ne  
pas vous bles-  
ser les mains!

Avertissement:  
surface très  
chaude!

### Symboles d'obligation



Porter des  
lunettes de  
protection!

Porter un  
casque dur!

Porter un  
casque  
antibruit!

Porter des  
gants de  
protection!

Porter un  
masque  
respiratoire  
léger!

Porter des  
vêtements de  
protection!

### Symboles



Avant d'utiliser  
l'appareil, lire  
son mode  
d'emploi!



Recycler les  
déchets

**RPM** /min

Tours par  
minute

Tours par  
minute

**V**

Volts

**Hz**

Hertz

**A**

Ampères

**W**

Watts

## 2. Description

La DG 150 est une meuleuse au diamant électroportative destinée aux professionnels de la construction qui veulent meuler des matériaux minéraux. La DG 150 ne peut être utilisée qu'avec le DPC 20 avec lequel elle forme un système de meulage complet.

### Utilisation conforme à l'usage prévu

La DG 150 ne doit être utilisée qu'avec le DPC 20. Utilisée conjointement avec l'aspirateur de chantier Hilti recommandé ainsi que les meules boisseau diamantées DG-CW 150/6" correspondantes, le DG150 constitue un système de meulage électrique assorti avec de très faibles dégagements de poussières. Pour garantir une aspiration optimale des poussières, il est toujours nécessaire d'utiliser un aspirateur de chantier. Hilti ne peut garantir un état de fonctionnement sûr de la DG 150 que si elle est utilisée avec des meules-boisseaux diamant Hilti d'origine. La DG 150 doit être utilisée uniquement pour le meulage de matériaux minéraux sans revêtement, de revêtements

minces sur béton ou de tous autres matériaux de 3 mm max. d'épaisseur, à sec. En cas de meulage de matériaux minéraux avec ou sans revêtement, avec la DG 150, il est nécessaire de bien respecter les directives locales en matière de santé correspondantes et de prendre toutes mesures utiles.

**Ne pas utiliser l'appareil autrement que décrit dans son mode d'emploi.**

- L'appareil ne convient pas pour le meulage de matériaux métalliques, de bois ou de tous autres matériaux non mentionnés au point 2.
- L'appareil ne convient pas pour être utilisé avec des disques à tronçonner au diamant, des disques à tronçonner abrasifs ou des meules-boisseaux à ébarber, des brosses métalliques ou tous autres outils du même type non conforme à l'usage prévu (voir point 3).
- L'appareil ne convient pas pour le meulage à l'eau.
- Ne pas serrer l'appareil à l'étau.
- Ne pas meuler de matériaux contenant de l'amiante.
- Ne meuler tous matériaux contenant des matières dangereuses pour la santé qu'en accord avec les autorités locales compétentes en matière de sécurité du travail et conformément aux directives locales relatives à la sécurité du travail en vigueur.
- Ne pas utiliser de meules-boisseaux diamant qui ne sont pas indiquées au point 3 «Meules-boisseaux diamant et accessoires».
- Ne pas meuler tous éléments tels que clous, vis, etc. qui dépassent. Les enlever soigneusement avant de commencer à meuler.


**Équipement fourni**

1	Meuleuse DG 150
1	Conditionneur de puissance DPC 20
1	Flasque de serrage
1	Écrou de serrage
1	Clé à ergots
1	Paire de lunettes de protection
1	Mode d'emploi

### 3. Meules-boisseaux diamant et accessoires

Meules-boisseaux diamant Hilti	Utilisation/matériaux
DG-CW 150/6" A1	Meulage de chapes de béton et de matériaux minéraux très abrasifs comparables
DG-CW 150/6" B1	Meulage de revêtements sur béton et de matériaux minéraux de 3 mm d'épaisseur max. comparables
DG-CW 150/6" C1	Meulage de béton et de matériaux minéraux moyennement durs et moyennement abrasifs comparables
DG-CW 150/6" C10	Meulage de béton
DG-CW 150/6" C2	Meulage de béton et de matériaux minéraux très durs et très abrasifs comparables
DG-CW 150/6" D1	Meulage ( finition ) de béton et de matériaux minéraux comparables
Joint à lamelles	Un gros joint à lamelles et un petit joint à lamelles
Anneau-support	Anneau-support destiné à fixer le gros joint à lamelles sur le carter de protection antipoussière
Coffret DG 150 pour professionnels	Coffret de transport
VCD 50L	Aspirateur de déchets solides
Bride de serrage pour DG 150	Bride de serrage spéciale antiarrêt rapide pour montage de meules-boisseaux diamant DG-CW 150/6" Hilti uniquement
Écrou de serrage pour DG 150	Écrou de serrage spécial M 13 pour montage de meules-boisseaux diamant DG-CW 150/6" Hilti

## 4. Caractéristiques techniques

	DG 150	DPC 20
Tension nominale		120 V
Intensité nominale		15 A
Puissance absorbée		1800 W
Puissance débitée		1285 W
Fréquence du secteur		60 Hz
1 <sup>ère</sup> vitesse de rotation de référence (N° I)	4700 /min	
2 <sup>ème</sup> vitesse de rotation de référence (N° II)	6600 /min	
Poids selon la procédure EPTA 01/2003	4,1 kg (9,0 lbs)	3,8 kg (8,4 lbs)
Dimensions (L×l×h)	46×25×23 cm (18,1×9,8×9,1")	27×22×15 cm (10,6×18,7×5,9")
Classe de protection électrique		II  (double isolation)

### Autres caractéristiques essentielles de l'appareil

Arrêt rapide après actionnement de l'interrupteur ≤ 2 s

Disjoncteur de surcharge thermique

Dispositif antiredémarrage

Sous réserve de toutes modifications techniques!

## 5. Consignes de sécurité

### 5.1 Consignes de sécurité générales relatives aux outils électroportatifs



**AVERTISSEMENT ! Lire toutes les indications de sécurité et instructions.** Le non-respect des indications de sécurité et instructions peut entraîner un choc électrique, un incendie et / ou de graves blessures sur les personnes. **Conservez soigneusement l'ensemble de ces indications de sécurité et instructions pour pouvoir au besoin les consulter ultérieurement.** La notion d'« outil électroportatif » mentionnée dans les indications de sécurité se rapporte à des outils électriques raccordés au secteur (avec câble de raccordement) et à des outils électriques à batterie (sans câble de raccordement).

#### 5.1.1 Sécurité de la place de travail

- Maintenez l'endroit de travail propre et bien éclairé.** Un lieu de travail en désordre et mal éclairé augmente le risque d'accidents.
- N'utilisez pas l'appareil dans un environnement présentant des risques d'explosion et où se trouvent des liquides, des gaz ou poussières inflammables.** Les outils électroportatifs génèrent des étincelles risquant d'enflammer les poussières ou les vapeurs.
- Tenez les enfants et autres personnes éloignés durant l'utilisation de l'outil électroportatif.** En cas d'inattention vous risquez de perdre le contrôle de l'appareil.

#### 5.1.2 Sécurité relative au système électrique

- La fiche de secteur de l'outil électroportatif doit être appropriée à la prise de courant. Ne modifiez en aucun cas la fiche. N'utilisez pas de fiches d'adaptateur avec des appareils avec mise à la terre.** Les fiches non modifiées et les prises de courant appropriées réduisent le risque de choc électrique.
- Évitez le contact physique avec des surfaces mises à la terre tels que tuyaux, radiateurs, cuisinières et réfrigérateurs.** Il y a un risque élevé de choc électrique au cas où votre corps serait relié à la terre.
- N'exposez pas l'outil électroportatif à la pluie ou à l'humidité.** La pénétration d'eau dans un outil électroportatif augmente le risque d'un choc électrique.
- N'utilisez pas le câble à d'autres fins que celles prévues, n'utilisez pas le câble pour porter l'appareil ou pour l'accrocher ou encore pour le débrancher de la prise de courant. Maintenez le câble éloigné des sources de chaleur, des parties grasses, des bords tranchants ou des parties de l'appareil en rotation.** Un câble endommagé ou torsadé augmente le risque d'un choc électrique.
- Au cas où vous utiliserez l'outil électroportatif à l'extérieur, utilisez une rallonge adaptée aux applications extérieures.** L'utilisation d'une rallonge électrique homologuée pour les applications extérieures réduit le risque d'un choc électrique.
- Si l'utilisation de l'outil électroportatif dans un environnement humide ne peut pas être évitée, un interrupteur différentiel de protection contre les courants de défaut doit être utilisé.** L'utilisation d'un interrupteur différentiel de protection contre les courants de défaut réduit le risque d'une décharge électrique.

### 5.1.3 Sécurité des personnes

- a) **Restez vigilant, surveillez ce que vous faites. Faites preuve de bon sens en utilisant l'outil électroportatif. N'utilisez pas l'appareil lorsque vous êtes fatigué ou après avoir consommé de l'alcool, des drogues ou avoir pris des médicaments.** Un moment d'inattention lors de l'utilisation de l'appareil peut entraîner de graves blessures sur les personnes.
- b) **Portez des équipements de protection. Portez toujours des lunettes de protection.** Le fait de porter des équipements de protection personnels tels que masque anti-poussière, chaussures de sécurité antidérapantes, casque de protection ou protection acoustique suivant le travail à effectuer, réduit le risque de blessures.
- c) **Évitez de mettre l'appareil en marche par mégarde. Assurez-vous que l'appareil est arrêté avant de le brancher à la prise de courant et/ou au bloc-accu, de l'enlever ou de le porter.** Le fait de porter l'appareil avec le doigt sur l'interrupteur ou de brancher l'appareil sur la source de courant lorsque l'interrupteur est en position de fonctionnement peut entraîner des accidents.
- d) **Enlevez tout outil de réglage ou toute clé avant de mettre l'appareil en fonctionnement.** Une clé ou un outil se trouvant sur une partie en rotation peut causer des blessures.
- e) **Éviter toute posture anormale. Veillez à garder toujours une position stable et équilibrée.** Ceci vous permet de mieux contrôler l'appareil dans des situations inattendues.
- f) **Portez des vêtements appropriés. Ne portez pas de vêtements amples ni de bijoux. Maintenez cheveux, vêtements et gants éloignés des parties de l'appareil en rotation.** Des vêtements amples, des bijoux ou des cheveux longs peuvent être happés par des pièces en mouvement.
- g) **Si des dispositifs servant à aspirer ou à recueillir les poussières doivent être utilisés, vérifiez que ceux-ci soient effectivement raccordés et qu'ils sont correctement utilisés.** L'utilisation d'un dispositif servant à recueillir les poussières peut réduire les dangers dus aux poussières.

### 5.1.4 Utilisation et entretien de l'outil électroportatif

- a) **Ne surchargez pas l'appareil. Utilisez l'outil électroportatif approprié au travail à effectuer.** Avec l'outil électroportatif approprié, vous travaillerez mieux et avec plus de sécurité à la vitesse pour laquelle il est prévu.
- b) **N'utilisez pas un outil électroportatif dont l'interrupteur est défectueux.** Un outil électroportatif qui ne peut plus être mis en ou hors fonctionnement est dangereux et doit être réparé.
- c) **Retirez la fiche de la prise de courant et/ou enlevez le bloc-accu avant d'effectuer des réglages sur l'appareil, de changer les accessoires, ou de ranger l'appareil.** Cette mesure de précaution empêche une mise en fonctionnement par mégarde.
- d) **Gardez les outils électroportatifs non utilisés hors de portée des enfants. Ne permettez pas l'utilisation de l'appareil à des personnes qui ne se sont pas fami-**

- liarisées avec celui-ci ou qui n'ont pas lu ces instructions.** Les outils électroportatifs sont dangereux lorsqu'ils sont utilisés par des personnes non initiées.
- e) **Prenez soin des outils électroportatifs. Vérifiez que les parties en mouvement fonctionnent correctement et qu'elles ne soient pas coincées, et contrôlez si des parties sont cassées ou endommagées de telle sorte que le bon fonctionnement de l'appareil s'en trouve entravé. Faites réparer les parties endommagées avant d'utiliser l'appareil.** De nombreux accidents sont dus à des outils électroportatifs mal entretenus.
- f) **Maintenez les outils de coupe aiguisés et propres.** Des outils soigneusement entretenus avec des bords tranchants bien aiguisés se coincent moins souvent et peuvent être guidés plus facilement.
- g) **Utilisez les outils électroportatifs, les accessoires, les outils à monter, etc. conformément à ces instructions, en tenant compte des conditions de travail et du travail à effectuer.** L'utilisation des outils électroportatifs à d'autres fins que celles prévues peut entraîner des situations dangereuses.

### 5.1.5 Service

- a) **Ne faites réparer l'outil électroportatif que par un personnel qualifié et seulement avec des pièces de rechange d'origine.** Ceci permet d'assurer la sécurité de l'appareil.

### 5.2 Consignes de sécurité spécifiques à toutes les applications

- a) **Cet outil électroportatif est destiné à être utilisé en tant que meuleuse. Tenir compte de toutes les consignes de sécurité, instructions, illustrations et données qui accompagnent l'appareil.** Le non-respect des instructions suivantes peut entraîner un choc électrique, un incendie et/ou de graves blessures sur les personnes.
- b) **Cet outil électroportatif ne convient pas pour le ponçage au papier de verre, les travaux avec des brosses métalliques, le polissage et le tronçonnage.** Les applications pour lesquelles l'outil électroportatif n'est pas prévu peuvent présenter un danger et provoquer des blessures.
- c) **N'utiliser aucun accessoire qui n'a pas été prévu spécifiquement pour cet outil électroportatif ni recommandé par le fabricant.** Le simple fait de pouvoir fixer l'accessoire sur l'outil électroportatif ne garantit pas une utilisation sûre.
- d) **La vitesse admissible de l'accessoire doit au moins être égale à la vitesse supérieure indiquée sur l'outil électroportatif.** Les accessoires dont la vitesse de rotation est supérieure à celle admissible risquent de se briser ou de voltiger.
- e) **Le diamètre extérieur et l'épaisseur de l'accessoire doivent correspondre aux cotes de l'outil électroportatif.** Des accessoires mal dimensionnés peuvent ne pas être suffisamment protégés ou contrôlés.
- f) **Les disques, flasques, plateaux de ponçage et autres accessoires doivent exactement s'adapter sur la broche de meulage de l'outil électroportatif.** Les accessoires qui ne s'adaptent pas exactement sur la

broche de meulage de l'outil électroportatif ne tournent pas de manière uniforme, vibrent fortement et risquent d'entraîner une perte de contrôle.

- g) **Ne pas utiliser d'accessoires endommagés. Avant chaque utilisation, vérifier que les accessoires tels que les disques à meuler ne sont ni écaillés ni fendus, que les plateaux ne sont pas fendus, usés ou fortement détériorés, et que les brosses métalliques n'ont pas de fils manquants ou cassés. En cas de chute de l'outil électroportatif ou de l'accessoire, contrôler s'il est endommagé et, le cas échéant, utiliser un accessoire non endommagé. Une fois l'accessoire contrôlé et monté, l'utilisateur ainsi que les personnes se trouvant à proximité doivent se tenir en dehors du plan de l'accessoire rotatif et veiller à laisser tourner l'appareil pendant une minute à la vitesse de rotation maximale. Les accessoires endommagés se cassent le plus souvent lors de cette période de test.**
- h) **Porter des équipements de protection personnels. Utiliser, selon l'application, une protection du visage, une protection des yeux ou des lunettes de protection. Dans la mesure où ces équipements sont appropriés, porter un masque anti-poussière, un casque antibruit, des gants de protection ou un tablier spécial qui permettent de maintenir à distance les particules de matériau et de meulage.** Les yeux devraient être protégés contre les corps étrangers en suspension dans l'air, produits par diverses applications. Les masques anti-poussière et respiratoire doivent filtrer la poussière résultant de l'utilisation. En cas d'exposition prolongée à un bruit important, il y a risque de perte d'audition.
- i) **Veiller à ce que les autres personnes se tiennent à une distance de sécurité de l'espace de travail. Toute personne accédant à l'espace de travail doit porter des équipements de protection personnels.** Des éclats de la pièce travaillée ou des accessoires cassés risquent d'être projetés en l'air et de provoquer des blessures même à l'extérieur de l'espace de travail direct.
- j) **Tenir l'appareil seulement par les surfaces isolées des poignées lors des travaux pendant lesquels l'accessoire risque de toucher des câbles électriques cachés ou son propre câble d'alimentation réseau.** Le contact avec un câble sous tension risque de mettre les parties métalliques de l'appareil sous tension et de provoquer une décharge électrique.
- k) **Tenir le câble d'alimentation réseau éloigné des accessoires rotatifs.** En cas de perte de contrôle de l'appareil, le câble d'alimentation réseau peut être sectionné ou intercepté, et la main ou le bras de l'utilisateur risque de toucher l'accessoire rotatif.
- l) **Ne jamais poser l'outil électroportatif avant que l'accessoire soit complètement arrêté.** L'accessoire rotatif peut entrer en contact avec la surface sur laquelle l'outil électroportatif est posé, risquant d'entraîner ainsi une perte de contrôle de l'outil électroportatif.
- m) **Ne pas laisser l'outil électroportatif tourner en le portant.** Les vêtements risquent d'être happés par un contact accidentel avec l'accessoire rotatif et l'outil

électroportatif risque de perforer le corps de l'utilisateur.

- n) **Nettoyer régulièrement les fentes de ventilation de l'outil électroportatif.** Le ventilateur du moteur attire la poussière dans le carter, et une forte accumulation de poussière métallique peut représenter des dangers électriques.
- o) **Ne pas utiliser l'outil électroportatif à proximité de matériaux inflammables.** Des étincelles risquent d'enflammer ces matériaux.
- p) **Ne pas utiliser d'accessoires qui requièrent l'utilisation de réfrigérants liquides.** L'utilisation d'eau ou d'autres réfrigérants liquides risque de provoquer une décharge électrique.

## 5.2.1 Autres consignes de sécurité

### Contrecoup et consignes de sécurité appropriées

Un contrecoup est une réaction soudaine d'un accessoire rotatif qui est resté accroché ou bloqué, comme un disque à meuler, un plateau de ponçage, une brosse métallique, etc. L'accrochage ou le blocage entraîne un arrêt brutal de l'accessoire rotatif. De ce fait, un outil électroportatif incontrôlé est accéléré, à l'endroit du blocage, dans le sens de rotation opposé à celui de l'accessoire. Lorsqu'un disque à meuler par ex. reste accroché ou se bloque dans la pièce, l'arête du disque à meuler plongée dans la pièce peut rester accrochée et provoquer l'éclatement du disque à meuler ou un contrecoup. Le disque à meuler se déplace ensuite vers l'utilisateur ou s'éloigne de lui, selon le sens de rotation du disque à l'endroit du blocage. Ici aussi les disques à meuler risquent de se casser.

Un contrecoup est la conséquence d'une mauvaise utilisation ou d'une utilisation incorrecte de l'outil électroportatif. Il peut être évité en prenant les précautions appropriées, telles que décrites ci-dessous.

- a) **Bien tenir l'outil électroportatif, et garder le corps et les bras dans une position permettant d'amortir les forces de contrecoup. Toujours utiliser la poignée supplémentaire, si celle-ci est présente, afin d'avoir le meilleur contrôle possible sur les forces de contrecoup ou les couples antagonistes lors de l'accélération à pleine vitesse.** L'utilisateur peut maîtriser les forces de contrecoup et antagonistes en prenant les précautions appropriées.
- b) **Ne jamais approcher la main des accessoires rotatifs.** En cas de contrecoup, l'accessoire ou risque d'aller sur la main de l'utilisateur.
- c) **Éviter de se tenir dans l'espace dans lequel l'outil électroportatif serait en mouvement en cas de contrecoup.** Le contrecoup entraîne l'outil électroportatif dans le sens opposé au déplacement du disque à l'endroit du blocage.
- d) **Travailler avec une extrême prudence dans les coins, arêtes vives, etc. Éviter que les accessoires rebondissent sur la pièce à travailler et se coincent.** L'accessoire rotatif s'incline dans les coins, les arêtes vives ou lorsqu'il rebondit et de plus, se coince. Ceci entraîne une perte de contrôle ou un contrecoup.
- e) **Ne pas utiliser de lames de scie à chaîne ou dentées.** De tels accessoires entraînent souvent un contre-

coup ou la perte de contrôle de l'outil électroportatif.

### 5.2.2 Consignes de sécurité spécifiques au meulage

- a) **Utiliser exclusivement les meules autorisées pour l'outil électroportatif concerné et les capots de protection prévus pour ces meules.** Les meules qui ne sont pas conçues pour l'outil électroportatif peuvent ne pas être suffisamment protégées et ne sont pas sûres.
- b) **Le carter de protection doit être solidement fixé sur l'outil électroportatif et réglé de manière à atteindre la sécurité maximale, c.-à-d. que la plus petite partie possible de la meule doit être ouverte en direction de l'utilisateur.** Le carter de protection doit protéger l'utilisateur des éclats et d'un contact accidentel avec la meule.
- c) **Les meules doivent uniquement être utilisées pour les possibilités d'applications recommandées. Par exemple : Ne jamais meuler avec la surface latérale d'un disque à tronçonner.** Les disques à tronçonner sont prévus pour attaquer le matériau avec l'arête du disque. Une action latérale sur ces meules risque de les casser.
- d) **Toujours utiliser des flasques de serrage en parfait état, de dimensions et de forme adaptées au disque à meuler choisi.** Les flasques adaptés soutiennent le disque et réduisent le risque de cassure du disque à meuler. Les flasques de serrage destinés aux disques à tronçonner peuvent être différents des flasques pour d'autres disques à meuler.
- e) **Ne pas utiliser de disques à meuler usés provenant d'outils électroportatifs plus grands.** Les disques à meuler destinés aux outils électroportatifs plus grands ne sont pas dimensionnés pour les vitesses supérieures des outils électroportatifs plus petits et risquent de se casser.

### 5.3 Consignes de sécurité supplémentaires

#### 5.3.1 Sécurité des personnes

- a) Attention à ne pas trébucher sur le cordon, la rallonge ou le flexible d'aspiration.
- b) Pour tous les travaux, il est toujours nécessaire de monter la poignée latérale.
- c) Essuyer la poignée, enlever toutes traces d'huile ou de graisse.
- d) L'appareil doit être utilisé uniquement guidé des deux mains.
- e) **Faire régulièrement des pauses et des exercices de relaxation et de massage des doigts pour favoriser l'irrigation sanguine dans les doigts.**
- f) **Avant toute mise en service et aussi après les pauses, vérifier que l'outil est bien en place.**
- ATTENTION-**  
Il y a risque de blessure du fait de l'outil en rotation. **C'est pourquoi l'appareil doit uniquement être utilisé avec un outil sécurisé par rapport au soubassement.**
- g) Pour bloquer les pièces, utiliser un dispositif de serrage ou un étai.
- h) Attention à tous câbles électriques, tuyaux de gaz ou

d'eau cachés. Vérifier l'endroit où vous travaillez, p. ex. avec un détecteur de métaux.

- i) Le meulage provoque la projection d'étincelles. Attention que personne ne se trouve tout autour.
- j) Lors du travail sur des matériaux conducteurs avec l'appareil, il peut arriver que de la poussière conductrice s'accumule à l'intérieur, provoque un court-circuit ou un choc électrique. C'est pourquoi les appareils utilisés doivent être apportés au moins deux fois par an à des spécialistes qualifiés ou à des réparateurs Hilti qui doivent contrôler leur résistance d'isolement et vérifier que des poussières conductrices ou autres résidus conducteurs ne se sont pas accumulés à l'intérieur.
- k) **-ATTENTION-** l'appareil s'arrête environ 2 secondes après actionnement de l'interrupteur sur «Arrêt».
- l) **L'appareil n'est pas destiné à être utilisé par des enfants ou des personnes affaiblies sans encadrement.**
- m) **Avertir des enfants et veiller à ce qu'ils ne jouent pas avec l'appareil.**



- n) Lors du montage de l'outil, tenir compte de la flèche indiquant le sens de rotation.



- o) Si le cordon ou la rallonge est abîmé lors du travail, ne plus toucher le cordon. Débrancher l'appareil en tirant la fiche de la prise.
- p) Si le disque à meuler est neuf, le tester en le faisant tourner à vide pendant au moins 30 secondes à sa vitesse maximale.
- q) **-AVERTISSEMENT-** ne pas débrancher la fiche de la DG 150 du conditionneur de puissance DPC 20, lorsqu'elle est en charge!
- r) **Tenir fermement l'appareil par les poignées isolées si des câbles ou gaines électriques cachés ou le câble d'alimentation risquent d'être endommagés par l'appareil.** En cas de contact avec des câbles ou gaines conductrices, les pièces métalliques non protégées de l'appareil sont mises sous tension et l'utilisateur est exposé à un risque de choc électrique.



- s) La meule-boisseau diamant, certaines parties du carter de protection ou de l'appareil (nez d'engrenage) peuvent s'échauffer énormément lors de l'utilisation de l'appareil. Pour éviter de vous brûler, porter absolument des gants de protection avant de toucher ces meules ou parties.



- t) Brancher l'aspirateur de chantier.
- u) Tous équipements de protection et pièces abîmés doivent, sauf autres prescriptions dans le mode d'em-

ploi, être réparés ou échangés dans les règles de l'art dans des ateliers spécialisés agréés.

- v) Pour des raisons de sécurité, l'appareil doit être utilisé uniquement avec son carter de protection, des gants de protection et sa poignée latérale.
- w) Ne régler le carter de protection dans une autre position de travail que si l'appareil est bien en position «Arrêt» et débranché.

Le meulage peut entraîner le soulèvement de poussières dangereuses.

- x) Avant de commencer à travailler, déterminer à quelle catégorie de produits dangereux les poussières produites appartiennent. Pour travailler avec l'appareil, utiliser un aspirateur de chantier de catégorie de protection agréée officiellement qui corresponde aux directives locales de sécurité du travail.

y) Lors du meulage, il est nécessaire d'utiliser un aspirateur de chantier avec un filtre adapté à chaque utilisation.

- z) **AVERTISSEMENT : Certains types de poussières générées par ébarbage, meulage, tronçonnage et perçage contiennent des substances chimiques, connues pour être cancérigènes, qui risquent d'entraîner des malformations congénitales, une infertilité, des lésions permanentes des voies respiratoires ou d'autres natures.** Quelques-unes de ces substances chimiques sont le plomb contenu dans les peintures au plomb, le quartz cristallin provenant des briques, du béton, de la maçonnerie ou de pierres naturelles, ou encore l'arsenic ou le chrome provenant de bois de construction traités chimiquement. Les risques pour l'utilisateur varient en fonction de la fréquence de ces travaux. **Afin de réduire la charge de ces substances chimiques, l'utilisateur et les tierces personnes doivent travailler dans une pièce bien ventilée et utiliser les équipements de sécurité homologués. Porter un masque respiratoire adapté au type de poussière déterminé, qui filtre les particules microscopiques et permet d'éviter tout contact de la poussière avec le visage ou le corps. Éviter tout contact prolongé avec la poussière.** Porter des vêtements de protection et laver à l'eau et au savon la portion de peau qui a été en contact avec la poussière. L'absorption de poussières par la bouche ou les yeux, ou le contact prolongé des poussières avec la peau, risque de favoriser l'absorption de substances chimiques nocives pour la santé.



### 5.3.2 Équipement personnel de protection

- a) Lorsque l'appareil est utilisé, l'utilisateur ainsi que les personnes se trouvant à proximité doivent porter des lunettes de protection appropriées conformes à ANSI Z87.1 et homologuées, des casques de protection, des protections acoustiques, des gants de protection, ainsi qu'un masque respiratoire léger et des vêtements de protection.
- b) Pour travailler au sol, porter des genouillères.



## 6. Mise en marche

Lire et observer absolument les directives de sécurité du présent mode d'emploi.

 	<b>-ATTENTION-</b>
	<ul style="list-style-type: none"><li>■ La meule-boisseau diamant ou des parties du carter de protection peuvent s'échauffer énormément lors de l'utilisation de l'appareil.</li><li>■ Vous pouvez vous brûler les mains.</li><li>■ Pour changer de meule ou régler le carter de protection, utiliser des gants de protection.</li></ul>

### 6.1 Carter de protection

**-AVERTISSEMENT-** l'appareil ne doit être utilisé qu'avec son carter de protection monté!

Si le carter de protection est abîmé ou incomplet, il doit être remplacé immédiatement !

#### 6.1.1 Réglage du carter de protection

Pour amener la tubulure d'aspiration dans la meilleure position de travail possible, tourner l'ens. carter de protection comme suit:

1. Mettre l'interrupteur en position «Arrêt».
2. Débrancher l'appareil en tirant la fiche secteur ou sa fiche de la prise.
3. Ouvrir le levier de serrage.
4. Tourner le carter de protection. – **REMARQUE** - si la tubulure d'aspiration heurte le levier ouvert, déplacer le carter vers le bas pour le refaire tourner.
5. Refermer le levier de serrage.

#### 6.1.2 Adaption du carter de protection à la surface de travail

1. Mettre l'interrupteur en position « Arrêt ».
2. Débrancher l'appareil en tirant la fiche secteur ou sa fiche de la prise.
3. Poser l'appareil sur la meule.
4. Ouvrir le levier de serrage.
5. Tourner le carter de protection et le régler à la hauteur optimale. -**REMARQUE**- pour bien éliminer la poussière lors du travail, le joint à lamelles doit être presque en contact avec le matériau (distance 0 ... 1 mm).
6. Refermer le levier de serrage.

#### 6.1.3 Réglage du carter de protection pour travailler au bord

Pour meuler le long d'un mur p. ex., l'ouverture des segments de la partie inférieure du carter de protection doit être tournée de telle sorte que la meule soit libérée en partie.

	<b>-AVERTISSEMENT-</b>
	<ul style="list-style-type: none"> <li>■ Pour travailler au bord, ouvrir partiellement le carter de protection.</li> <li>■ Vous pouvez vous blesser gravement avec la meule qui tourne.</li> <li>■ Travailler prudemment avec le carter de protection ouvert et le remettre en position « Protection complète » une fois le travail au bord terminé.</li> </ul>

**-REMARQUE-** le travail au bord peut entraîner un important dégagement de poussière au niveau du carter de protection.

#### Réglage:

1. Mettre l'interrupteur en position « Arrêt ».
2. Débrancher l'appareil en tirant la fiche secteur ou sa fiche de la prise.
3. Ouvrir le levier de serrage.
4. Tourner la partie supérieure du carter de protection contre sa partie inférieure jusqu'à atteindre la bonne position.
5. Refermer le levier de serrage.

**-REMARQUE-** La position normale fermée du carter de protection se sent à un cran.

**-REMARQUE-** Si le carter de protection ne reste pas bloqué lorsque le levier est fermé, resserrer la bande de serrage en tournant la vis de réglage vers la droite. Si le carter de protection ne bouge pas lorsque le levier est ouvert, redesserrer la bande de serrage en tournant la vis de réglage vers la gauche.

## 6.2 Poignée latérale 1

### 6.2.1 Poignée latérale, comment la régler

Pour des raisons de sécurité, toujours utiliser la poignée latérale qui peut être réglée selon deux axes jusqu'à la position de travail la plus favorable:

- 2 positions en biais pour droitier ou gaucher.
  - pivotement avant/arrière progressif.
1. Mettre l'interrupteur en position «Arrêt».
  2. Débrancher l'appareil en tirant la fiche secteur ou sa fiche de la prise.
  3. Desserrer la poignée latérale en tournant la vis de serrage dans le sens contraire des aiguilles d'une montre.
  4. Régler la poignée principale dans la position désirée.
  5. Resserrer la vis de serrage en tournant dans le sens des aiguilles d'une montre.

## 6.3 Meule-boisseau diamant 2

- Avant toute intervention sur la meule-boisseau diamant, toujours débrancher l'appareil (tirer la fiche secteur ou la fiche de l'appareil).
- Ne pas enfoncer le bouton de blocage de la broche lorsque l'appareil fonctionne.
- Lors du remplacement de la meule-boisseau diamant, nettoyer toutes les pièces dans la zone du porte-outil.

- Utiliser uniquement des meules-boisseaux diamant Hilti d'origine.

### 6.3.1 Montage de la meule-boisseau diamant

1. Enfoncez avant le flasque avec évidement en forme de 0 sur la broche et le verrouiller jusqu'à clipsage. **15A**
2. Monter la meule-boisseau sur l'ergot de centrage du flasque de serrage. **15B**
3. Visser l'écrou de serrage dans le sens des aiguilles d'une montre et serrer à la main ou avec la clé à ergots dans le sens contraire au sens d'entraînement (jusqu'à sentir une résistance).

### 6.3.2 Démontage de la meule-boisseau diamant

1. Enfoncez le bouton de blocage de la broche et le tenir enfoncé.
2. Placer la clé à ergots et dévisser dans le sens contraire des aiguilles d'une montre pour desserrer l'écrou de serrage.
3. Relâcher le bouton de blocage de la broche.
4. Enlever la meule-boisseau diamant.

### 6.3.3 Réglage de vitesse

L'utilisateur peut sélectionner l'une ou l'autre vitesse.

#### Conseil:

Vitesse I: 4700 /min


Utiliser cette vitesse pour meuler des matériaux minéraux tendres, comme p. ex. des couches de peintures sur un enduit à base de ciment, pour mieux aspirer la poussière ou pour meuler des revêtements sur des matériaux tendres (guidage de l'appareil plus facile).

Vitesse II: 6600 /min


Utiliser cette vitesse pour meuler des matériaux minéraux durs, p. ex. béton, chape de béton ou pierre (travail à plein régime = utilisation optimale des performances de la meule-boisseau diamant).

## 7. Utilisation

Lire et observer absolument les directives de sécurité du présent mode d'emploi.

	<b>-ATTENTION-</b>
	<ul style="list-style-type: none"> <li>■ Le meulage peut entraîner le soulèvement de poussières dangereuses.</li> </ul>
	<ul style="list-style-type: none"> <li>■ Ces poussières de meulage peuvent être nocives pour les poumons et les yeux.</li> </ul>
	<ul style="list-style-type: none"> <li>■ Utiliser un dispositif d'aspiration de la poussière, un casque dur, un masque de protection respiratoire et des lunettes de protection.</li> </ul>



	<b>-AVERTISSEMENT-</b>
	<ul style="list-style-type: none"> <li>■ L'appareil et le meulage sont bruyants.</li> <li>■ Le niveau sonore, s'il est trop important, peut entraîner des lésions auditives.</li> <li>■ Utiliser un casque antibruit.</li> </ul>

### 7.1 Mise en marche de l'appareil

1. Brancher le flexible entre l'appareil et l'aspirateur de chantier.
2. Brancher le câble électrique entre la DG 150 et le DPC 20.
3. Brancher le DPC 20 sur secteur.
4. Soulever l'appareil de la surface de travail.
5. Pousser l'interrupteur Marche/Arrêt vers l'avant jusqu'en position Marche (I) où il se verrouille.

En cas de panne de courant, il est possible de redémarrer l'appareil en remettant l'interrupteur Marche/Arrêt d'abord en position Arrêt (0), puis de nouveau en position Marche (I).

### 7.2 Rodage de meules-boisseries diamant neuves

Faire tourner l'appareil à vide pendant au moins 30 secondes. Ne pas utiliser de meules-boisseries diamant qui vibrent! Protéger les meules-boisseries diamant de tous à-coups ou chocs ; éviter de les graisser.

### 7.3 Meulage

- "Attention". Lors d'un essai, en cours d'utilisation et jusqu'à l'arrêt de la meule-boiserie, toujours guider la meuleuse DG 150 sur le matériau ou au plus proche du matériau.
- Ne jamais travailler sans équipement de protection.
- Utiliser uniquement des meules-boisseries diamant DG-CW 150/6" Hiiti.
- Travailler en appliquant une pression modérée seulement, adaptée au type de matériau. Pour meuler, imprimer à l'appareil un mouvement de va-et-vient le long de la pièce; ne pas enfoncer la meule-boiserie diamant contre le matériau.
- Lors du tronçonnage ou de l'ébarbage de matériaux minéraux particulièrement durs comme p. ex. du béton contenant beaucoup d'agréats durs, il peut arriver que la meule-boiserie diamant s'échauffe trop et s'abîme. Dans ce cas, arrêter de meuler et laisser tourner l'appareil à vide pour refroidir la meule-boiserie diamant pendant un bref instant.
- Si le travail avance moins, c'est peut-être que les segments diamantés sont émoussés (polis). Pour réaffûter la meule-boiserie diamant, meuler dans un matériau abrasif (plaque de réavivage Hilti ou brique silico-calcaire abrasive).

### 7.4 Arrêt de l'appareil

1. Enfoncer l'interrupteur Marche/Arrêt. Une fois relâché, l'interrupteur revient en position «Arrêt».
2. Débrancher l'appareil (tirer la fiche secteur de la prise).
3. En cas d'utilisation d'un aspirateur de chantier, démonter le flexible qui relie l'appareil à l'aspirateur.

22

## 8. Nettoyage et entretien

Avant d'effectuer toute intervention sur la DG 150 et le DPC 20, toujours d'abord les débrancher (tirer la fiche de la prise)!

Toujours bien nettoyer les ouïes d'aération du boîtier moteur. Pour le nettoyer, ne pas utiliser d'objets métalliques.

Dans des conditions d'utilisation extrêmes, il peut, lors du meulage de matériaux minéraux, se former des dépôts de poussières conductrices à l'intérieur de l'appareil qui risquent de réduire sa résistance d'isolement.

### -ATTENTION-

**Tenir l'appareil, en particulier les surfaces de pré-hension, sec, propre et exempt d'huile et de graisse. Ne pas utiliser de nettoyeurs à base de silicone.**

La coque extérieure du boîtier de l'appareil est fabriquée en plastique résilient. La partie préhensile est en élastomère. Ne jamais faire fonctionner l'appareil si ses ouïes d'aération sont bouchées ! Les nettoyer avec précaution au moyen d'une brosse sèche. Éviter toute pénétration de corps étrangers à l'intérieur de l'appareil. Nettoyer régulièrement l'extérieur de l'appareil avec un chiffon légèrement humide. Ne pas utiliser d'appareil diffuseur, d'appareil à jet de vapeur ou d'eau courante pour le nettoyage afin de garantir sa sûreté électrique !

### 8.1 Remplacement des joints à lamelles du carter de protection

Avant de remplacer la meule-boiserie diamant, échanger chaque fois au moins les joints à lamelles du carter de protection.

**-REMARQUE-** tourner et écarter les pièces du carter de protection pour faciliter le démontage et le remontage des joints.

### Démontage

1. Avant toute intervention sur l'appareil, toujours l'arrêter et le débrancher (tirer la fiche secteur ou sa fiche).
2. Enfoncer, avec un tournevis, les trois languettes de blocage de l'anneau-support par-dessus l'arête du carter de protection.
3. Enlever le gros joint à lamelles de l'anneau-support.
4. Pour enlever le petit joint à lamelles, appuyer dans les deux fentes d'ouverture du côté extérieur du carter de protection avec un tournevis.

### Remontage

1. Nettoyer les rainures de retenue pour enlever tous résidus grossiers de poussière.
2. Enfoncer le petit joint à lamelles dans le guide du carter de protection jusqu'à ce qu'il se clipse.
3. Placer le gros joint à lamelles dans la rainure de l'anneau-support.
4. Enfoncer l'anneau-support avec le joint à lamelles par-dessus l'arête du carter de protection jusqu'à ce qu'il se clipse.

### 8.2 Réparations

Si, malgré tous les soins apportés à sa fabrication et à son contrôle, l'appareil devait quand même présenter un

défaut, sa réparation ne devrait être confiée qu'à un réparateur Hilti.

Toutes réparations ne doivent être effectuées que par un électricien qualifié.

## 9. Guide de dépannage

### 9.1 Témoin lumineux sur la DG 150 (DEL)

En cas de surchauffe de l'appareil, le témoin lumineux rouge clignote. La lumière clignote tant que le défaut persiste, quelle que soit la position de l'interrupteur.

Si le témoin lumineux rouge clignote, arrêter l'appareil, le débrancher et le laisser refroidir jusqu'à ce que le témoin lumineux rouge s'éteigne.

### 9.2 Témoin lumineux sur la DPC 20 (DEL)

a) Témoin lumineux vert allumé en continu:

Indique que le DPC 20 est prêt à fonctionner: il est branché sur l'alimentation secteur et ne présente aucun défaut (cas normal).

b) Témoin lumineux vert clignotant

Seulement sur les modèles dont la tension est comprise entre 100 V et 120 V, ce en charge. Dans ce cas, la tension secteur est trop faible. L'appareil DG 150 réagit avec une puissance nettement inférieure.

c) Témoin lumineux rouge clignotant

Indique une réaction du PCD 20 à des anomalies de fonctionnement comme p. ex. courant irrégulier, variations de tension ou de température, etc. Le témoin revient au vert dès que l'anomalie a disparu. Si le témoin lumineux rouge continue de clignoter, déconnectez la prise d'alimentation électrique, attendez quelques secondes puis rebranchez l'appareil. Si alors le témoin ne repasse pas au vert, il est nécessaire de vérifier les fusibles de sortie.

#### Aucune indication

Il n'y a pas de tension secteur pour alimenter le DPC 20, soit à cause du réseau, soit à cause du câble d'amenée, soit à cause d'un défaut du DPC 20. Il n'est pas possible d'établir immédiatement si l'indicateur lui-même ne marche pas. C'est pourquoi il est conseillé de faire vérifier régulièrement, au moins tous les 6 mois, le DPC 20 avec la DG 150, par des spécialistes qualifiés ou par le S.A.V. Hilti.

## 10. Recyclage



Recycler les déchets

Les appareils Hilti sont fabriqués pour une grande part en matériaux recyclables dont la réutilisation exige un tri correct. Dans de nombreux pays, Hilti est déjà équipé pour reprendre votre ancien appareil afin d'en recycler les composants. Consultez le service clients Hilti ou votre conseiller commercial.

## 11. Garantie constructeur des appareils

Hilti garantit l'appareil contre tout vice de matières et de fabrication. Cette garantie s'applique à condition que l'appareil soit utilisé et manipulé, nettoyé et entretenu correctement, en conformité avec le mode d'emploi Hilti, et que l'intégrité technique soit préservée, c'est-à-dire sous réserve de l'utilisation exclusive de consommables, accessoires et pièces de rechange d'origine Hilti.

Cette garantie se limite strictement à la réparation gratuite ou au remplacement gracieux des pièces défectueuses pendant toute la durée de vie de l'appareil. Elle ne couvre pas les pièces soumises à une usure normale.

**Toutes autres revendications sont exclues pour autant que des dispositions légales nationales impératives ne s'y opposent pas. En particulier, Hilti ne saurait être tenu pour responsable de toutes détériorations, pertes ou dépenses directes, indirectes, accidentelles ou consécutives, en rapport avec l'utilisation ou dues à une incapacité à utiliser l'appareil dans quelque but que ce soit. Hilti exclut en particulier les garanties implicites concernant l'utilisation et l'aptitude dans un but bien précis.**

Pour toute réparation ou tout échange, renvoyer l'appareil ou les pièces concernées au réseau de vente Hilti compétent, sans délai, dès constatation du défaut.

La présente garantie couvre toutes les obligations d'Hilti et annule et remplace toutes les déclarations antérieures ou actuelles, de même que tous accords oraux ou écrits.



# Lijadora DG 150 con DPC 20

**Es imprescindible leer las instrucciones de uso antes de poner en servicio el aparato.**

**Conserve usted estas instrucciones de uso siempre en la proximidad del aparato.**

**Si entrega usted el aparato a otra persona, hágalo siempre junto con las instrucciones de uso.**

Índice	Página
1. Indicaciones generales	25
2. Descripción	26
3. Platos de desbaste y accesorios	27
4. Datos técnicos	28
5. Indicaciones sobre seguridad	28
6. Puesta en funcionamiento	32
7. Manejo	33
8. Cuidado y mantenimiento	34
9. Solución de problemas	35
10. Eliminación de la herramienta	35
11. Garantía del fabricante de las herramientas	35

## Elementos de manejo y componentes de la herramienta DG 150 **1** **2**

- 1 Interruptor de encendido / apagado
- 2 Empuñadura lateral
- 3 Cubierta protectora completa
- 4 Tornillo de ajuste
- 5 Palanca tensora
- 6 Diodo fotoemisor LED
- 7 Clavija de la herramienta
- 8 Regulador de la velocidad de rotación (nivel 1 y 2)
- 9 Tornillo de fijación de la empuñadura lateral
- 10 Cinta de sujeción
- 11 Llave de apriete
- 12 Tuerca tensora
- 13 Plato de desbaste
- 14 Cierre hermético pequeño
- 15 Brida de sujeción del plato
- 16 Cierre hermético grande
- 17 Aro de retención
- 18 Husillo
- 19 Arandela de seguridad
- 20 Parte inferior de la cubierta protectora
- 21 Parte superior de la cubierta protectora con conexión al aspirador
- 22 Botón de bloqueo del husillo

## Elementos de manejo y componentes de la herramienta DPC 20 **3**

- 23 Diodo fotoemisor LED
- 24 Cable de red
- 25 Nervio guía
- 26 Asa de transporte
- 27 Punto de sujeción para el cable
- 28 Base con tapa
- 29 Tope de retención

## 1. Indicaciones generales

**1** se refiere siempre a elementos de manejo / visualización de la herramienta.

**1** Los números se refieren siempre a las ilustraciones. Estas ilustraciones se encuentran en las páginas desplegadas. Manténgalas desplegadas mientras estudia el manual de instrucciones.

En el texto de este manual de instrucciones, "herramienta" siempre se refiere a la DG 150 con DPC 20.

### Ubicación de los datos identificativos en la herramienta

La denominación del modelo y el distintivo de serie se indican en la placa de identificación de su herramienta. Traslade estos datos a su manual de instrucciones y menciónelos siempre que consulte a nuestro representante o al punto de servicio.

Modelo: \_\_\_\_\_

No de serie: \_\_\_\_\_

Modelo: \_\_\_\_\_

No de serie.: \_\_\_\_\_

## 1.1 Términos de indicación de peligro

### -ADVERTENCIA- (WARNING)

Para una posible situación peligrosa que podría acarrear lesiones graves o la muerte.

### -PRECAUCIÓN- (CAUTION)

Para una posible situación peligrosa que podría acarrear lesiones leves o daños a los objetos.

### -NOTA- (NOTE)

Para indicaciones sobre la utilización y otros tipos de información útil. No se aplica a situaciones peligrosas o nocivas.

## 1.2 Pictogramas

### Símbolos de peligro



Advertencia de peligro general



Advertencia de tensión eléctrica peligrosa



Advertencia de daños en las manos



Advertencia de superficie caliente

### Símbolos de obligación



Usar protección para los ojos



Usar casco



Usar protección para los oídos



Usar guantes protectores



Usar una protección respiratoria ligera



Usar ropa protectora

### Símbolos



Léase el manual de instrucciones antes de su uso



Reciclar los materiales usados

**RPM** /min

Revoluciones por minuto    Revoluciones por minuto

**V**

Voltios

**Hz**

Hertz

**A**

Amperios

**W**

Vatios

## 2. Descripción

La DG 150 es una lijadora eléctrica diamantada para el lijado profesional de superficies minerales en la construcción. La DG 150 sólo se puede usar con el acondicionador DPC 20, y forma con él una unidad.

### Uso conforme a lo prescrito

La lijadora DG 150 sólo se puede usar con el acondicionador de potencia DPC 20. En combinación con el aspirador de obra recomendado por Hilti y los correspondientes discos tronzadores de diamante DG-CW 150/6", el DG150 es el sistema eléctrico de lijado manual con la carga de polvo más baja. Para garantizar una aspiración óptima del polvo hay que utilizar siempre un aspirador de obra en perfecto estado de funcionamiento. Para garantizar un funcionamiento seguro, la DG 150 sólo se puede usar con herramientas originales de Hilti. La DG 150 se puede utilizar única y exclusivamente para la abrasión en seco de suelos minerales no recubiertos, así como de

recubrimientos delgados sobre hormigón y suelos minerales similares con un espesor de capa máximo de 3 mm. Al realizar con la DG 150 la abrasión de suelos minerales, tanto recubiertos como sin recubrir, se deben cumplir las normas sanitarias locales y tomar las correspondientes medidas de precaución.

**No utilice en ningún caso la herramienta de una manera diferente a la descrita en el manual de instrucciones.**

- La herramienta no es apropiada para la abrasión de suelos metálicos, de madera o de otros materiales que no aparezcan mencionados en el punto 2.
- La herramienta no es apropiada para su empleo con discos de tronzar diamantados, discos de vaso abrasivos, de tronzar o de desbastar, cepillos metálicos o cualquier otro tipo de herramienta que no sea conforme a lo prescrito (véase el punto 3).
- La herramienta no es apropiada para lijar en húmedo.
- No fije la máquina per el tornillo de banco.
- No se debe trabajar sobre materiales que contengan amianto.
- Sólo se puede trabajar sobre materiales que contengan sustancias peligrosas para la salud de acuerdo con las autoridades locales de seguridad en el trabajo y según las normas locales vigentes sobre seguridad en el trabajo.
- No se pueden usar platos de desbaste diamantados que no aparezcan mencionados en el punto 3, «Herramientas y accesorios».
- Las partes sobresalientes como clavos, tornillos, etc. no deben ser lijadas. Retírelas con cuidado antes de comenzar con el trabajo de lijado.


## Contenido

1 unidad	Lijadora Hilti DG 150
1 unidad	Acondicionador de potencia DPC 20
1 unidad	Brida de sujeción del disco
1 unidad	Tuerca tensora
1 unidad	Llave de mandril
1 unidad	Gafas protectoras
1 unidad	Manual de instrucciones

## 3. Platos de desbaste y accesorios

Platos de desbaste Hilti	Empleo/material
DG-CW 150/6" A1	Lijado de pavimentos y suelos minerales con alta abrasividad
DG-CW 150/6" B1	Lijado de recubrimientos sobre hormigón y superficies minerales comparables con un espesor de capa máximo de 3 mm
DG-CW 150/6" C1	Lijado de hormigón y superficies minerales comparables de dureza y abrasividad medias
DG-CW 150/6" C10	Lijado de hormigón
DG-CW 150/6" C2	Lijado de hormigón y superficies minerales comparables de dureza y abrasividad altas
DG-CW 150/6" D1	Lijado fino de superficies de hormigón y superficies minerales comparables
Cierre hermético	Un cierre hermético grande y uno pequeño
Aro de retención	Un aro de retención para fijar el cierre hermético grande a la cubierta protectora
Caja profesional DG 150	Maletín de transporte
VCD 50L	Aspirador en seco
Brida tensora para DG 150	Brida tensora rápida especial para montaje exclusivo de discos de diamante Hilti DG-CW 150/6"
Tuerca tensora para DG 150	Tuerca especial M13 para montaje de discos de diamante Hilti DG-CW 150/6"

## 4. Datos técnicos

	DG 150	DPC 20
Tensión nominal		120 V
Intensidad nominal		15 A
Consumo de potencia		1800 W
Potencia suministrada		1285 W
Frecuencia de la red		60 Hz
Velocidad de medición en vacío en el nivel n° I	4700 /min	
en vacío en el nivel n° II	6600 /min	
Peso según el procedimiento EPTA 01/2003	4,1 kg (9,0 lbs)	3,8 kg (8,4 lbs)
Dimensiones (L×A×Hn)	46×25×23 cm (18,1×9,8×9,1")	27×22×15 cm (10,6×18,7×5,9")
Clase de protección eléctrica		Clase de protección II  (aislamiento doble)

### Otras características fundamentales de la herramienta

Parada rápida después de apagar  $\leq 2$  s

Protección térmica contra sobrecarga

Bloqueo de reinicio

Queda reservado el derecho a hacer modificaciones técnicas.

## 5. Indicaciones de seguridad

### 5.1 Indicaciones generales de seguridad para herramientas eléctricas



**¡Advertencia! Lea con atención todas las instrucciones e indicaciones de seguridad.** En caso de no respetar las instrucciones e indicaciones de seguridad que se describen a continuación, podría producirse una descarga eléctrica, incendio y/o lesiones graves. **Conservar todas las instrucciones e indicaciones de seguridad para futuras consultas.** En lo sucesivo, el concepto "herramienta eléctrica" hace referencia a las herramientas eléctricas (con cable de red) que funcionan con red y a las herramientas eléctricas (sin cable de red) que funcionan con batería.

#### 5.1.1 Seguridad en el puesto de trabajo

- Mantenga su área de trabajo limpia y bien iluminada.** El desorden o una iluminación deficiente de las zonas de trabajo pueden provocar accidentes.
- No utilice la herramienta en un entorno con peligro de explosión, en el que se encuentren combustibles líquidos, gases o material en polvo.** Las herramientas eléctricas producen chispas que pueden llegar a inflamar los materiales en polvo o vapores.
- Mantenga alejados a los niños y otras personas de su puesto de trabajo al emplear la herramienta eléc-**

**trica.** Una distracción le puede hacer perder el control sobre la herramienta.

#### 5.1.2 Seguridad eléctrica

- El enchufe de la herramienta debe corresponder a la toma de corriente utilizada. No está permitido modificar el enchufe en forma alguna. No utilice enchufes adaptadores para las herramientas con puesta a tierra.** Los enchufes sin modificar adecuados a las respectivas tomas de corriente reducen el riesgo de descarga eléctrica.
- Evite el contacto corporal con superficies que tengan puesta a tierra, como pueden ser tubos, calefacciones, cocinas y frigoríficos.** El riesgo a quedar expuesto a una descarga eléctrica es mayor si su cuerpo tiene contacto con el suelo.
- No exponga las herramientas eléctricas a la lluvia y evite que penetren líquidos en su interior.** El riesgo de recibir descargas eléctricas aumenta si penetra agua en la herramienta eléctrica.
- No utilice el cable de red para transportar o colgar la herramienta ni tire de él para extraer el enchufe de la toma de corriente. Mantenga el cable de red alejado de fuentes de calor, aceite, aristas afiladas o piezas móviles de la herramienta.** Los cables de red dañados o enredados pueden provocar descargas eléctricas.
- Cuando trabaje al aire libre con una herramienta eléctrica, utilice exclusivamente un alargador adecuado para exteriores.** La utilización de un cable alar-

gador adecuado para su uso en exteriores reduce el riesgo de una descarga eléctrica.

- f) **Cuando no pueda evitarse el uso de la herramienta en un entorno húmedo, utilice un interruptor de corriente de defecto.** La utilización de un interruptor de corriente de defecto evita el riesgo de una descarga eléctrica.

### 5.1.3 Seguridad de personas

- a) **Permanezca atento, preste atención durante el trabajo y utilice la herramienta eléctrica con prudencia. No utilice la herramienta eléctrica si está cansado, ni tampoco después de haber consumido alcohol, drogas o medicamentos.** Un momento de descuido al utilizar la herramienta podría conllevar serias lesiones.
- b) **Utilice el equipo de protección adecuado y lleve siempre gafas de protección.** El riesgo de lesiones se reduce considerablemente si, según el tipo y la aplicación de la herramienta eléctrica empleada, se utiliza un equipo de cubierta protectora adecuado como una mascarilla antipolvo, zapatos de seguridad con suela antideslizante, casco o protectores auditivos.
- c) **Evite una puesta en marcha fortuita de la herramienta. Asegúrese de que la herramienta está apagada antes de alzarla, transportarla, conectarla a la alimentación de corriente y/o insertar la batería.** Si transporta la herramienta sujetándola por el interruptor de conexión/desconexión o si introduce el enchufe en la toma de corriente con la herramienta conectada, podría producirse un accidente.
- d) **Retire las herramientas de ajuste o llaves fijas antes de conectar la herramienta eléctrica.** Una herramienta o llave colocada en una pieza giratoria puede producir lesiones al ponerse en funcionamiento.
- e) **Evite adoptar posturas forzadas. Procure que la postura sea estable y manténgase siempre en equilibrio.** De esta forma podrá controlar mejor la herramienta eléctrica en caso de presentarse una situación inesperada.
- f) **Utilice ropa adecuada. No utilice vestimenta amplia ni joyas. Mantenga su pelo, vestimenta y guantes alejados de las piezas móviles.** La vestimenta suelta, las joyas y el pelo largo se pueden enganchar con las piezas en movimiento.
- g) **Siempre que sea posible utilizar equipos de aspiración o captación de polvo, asegúrese de que están conectados y de que se utilizan correctamente.** Utilizar un dispositivo de aspiración del polvo puede reducir los peligros que éste produce.

### 5.1.4 Uso y manejo de la herramienta eléctrica

- a) **No sobrecargue la herramienta. Utilice la herramienta adecuada para el trabajo que se dispone a realizar.** Con la herramienta apropiada podrá trabajar mejor y de modo más seguro dentro del margen de potencia indicado.
- b) **No utilice herramientas con el interruptor defectuoso.** Las herramientas que no se puedan conectar o desconectar son peligrosas y deben repararse.
- c) **Extraiga el enchufe de la toma de corriente y/o la batería antes de efectuar cualquier ajuste en la herra-**

**mienta, cambiar accesorios o en caso de no utilizar la herramienta durante un tiempo prolongado.**

Esta medida preventiva reduce el riesgo de conexión accidental de la herramienta.

- d) **Guarde las herramientas fuera del alcance de los niños. Evite que personas no familiarizadas con su uso o que no hayan leído este manual de instrucciones utilicen la herramienta.** Las herramientas utilizadas por personas inexpertas son peligrosas.
- e) **Cuide sus herramientas adecuadamente. Compruebe si las piezas móviles de la herramienta funcionan correctamente y sin atascarse, y si existen piezas rotas o deterioradas que pudieran afectar al funcionamiento de la herramienta. Encargue la reparación de las piezas defectuosas antes de usar la herramienta.** Muchos accidentes son consecuencia de un mantenimiento inadecuado de la herramienta eléctrica.
- f) **Mantenga los útiles limpios y afilados.** Las herramientas de corte bien cuidadas y con aristas afiladas se atascan menos y se guían con más facilidad.
- g) **Utilice la herramienta eléctrica, los accesorios, las herramientas de repuesto, etc. conforme a estas indicaciones teniendo en cuenta las condiciones de trabajo y la actividad que vaya a realizar.** El uso de herramientas eléctricas para trabajos diferentes de aquellos para los que han sido concebidas puede resultar peligroso.

### 5.1.5 Servicio técnico

- a) **Solicite que un profesional lleve a cabo la reparación de su herramienta eléctrica y que utilice exclusivamente piezas de repuesto originales.** Solamente así se mantiene la seguridad de la herramienta eléctrica.

### 5.2 Indicaciones de seguridad especiales para todas las aplicaciones

**Indicaciones de seguridad generales para las aplicaciones de lijado, lijado con papel de lija, trabajos con cepillos de alambre, pulido y tronzado con muelas:**

- a) **Esta herramienta eléctrica debe utilizarse como lijadora. Tenga en cuenta las indicaciones de seguridad, las representaciones y los datos que se adjuntan con la herramienta.** El incumplimiento de las siguientes indicaciones podría conllevar descargas eléctricas, incendios o lesiones graves.
- b) **Esta herramienta eléctrica no es apropiada para el lijado con papel de lija, trabajos con cepillos de alambre, pulido y tronzado con muelas.** El uso de la herramienta eléctrica para fines no previstos puede provocar descargas eléctricas o lesiones.
- c) **No utilice accesorios que el fabricante no haya previsto ni recomendado especialmente para esta herramienta eléctrica.** El simple hecho de que el accesorio encaje en su herramienta eléctrica no garantiza un uso seguro.
- d) **La velocidad admisible del útil debe alcanzar, como mínimo, el valor máximo indicado en la herramienta eléctrica.** Los accesorios que giren a una velocidad superior a la autorizada pueden romperse o salir despedidos.



- e) **El diámetro exterior y el grosor del útil deben ajustarse a las dimensiones de la herramienta eléctrica.** Los útiles de dimensiones incorrectas no pueden controlarse ni protegerse de forma adecuada.
- f) **Los discos lijadores, bridas, muelas y otros accesorios deben encajar a la perfección con el husillo de lijado de su herramienta eléctrica.** Las herramientas que no se adapten perfectamente al husillo de lijado pueden provocar giros irregulares, fuertes vibraciones e incluso la pérdida del control.
- g) **No utilice herramientas dañadas. Antes de utilizar la herramienta eléctrica, compruebe si hay indicios de desgaste en los discos lijadores o de agrietamiento y desgaste en los discos abrasivos, así como si hay alambres rotos o sueltos en los cepillos de alambre. En caso de caída, compruebe si la herramienta eléctrica o el útil ha resultado dañado y utilice en tal caso un útil no dañado. Después de verificar y utilizar la herramienta, tanto el usuario como las personas que se encuentren a su alrededor deben mantenerse alejadas de la herramienta en movimiento y dejar que funcione a máxima velocidad durante un minuto.** Generalmente, las herramientas dañadas se rompen en el período de prueba.
- h) **Utilice el equipo de seguridad personal. Utilice protección completa para la cara, protección para los ojos o gafas de protección, en función de la aplicación. Cuando la aplicación lo requiera, utilice mascarilla antipolvo, protección para los oídos, guantes de protección o un delantal especial que le sirva de pantalla frente a pequeñas partículas que puedan desprenderse en los trabajos de lijado.** Utilice protección para los ojos para evitar que penetren materiales extraños que puedan desprenderse en las diferentes aplicaciones. Tanto la mascarilla antipolvo como la mascarilla ligera filtran el polvo que se produce en determinadas aplicaciones. La exposición prolongada a fuertes ruidos puede ocasionar una pérdida de audición.
- i) **Controle que terceras personas mantengan una distancia de seguridad respecto a su zona de trabajo. Todas las personas que se encuentren en la zona de trabajo deben llevar el equipo de seguridad personal.** Los fragmentos que pueden desprenderse de la pieza de trabajo o las herramientas rotas pueden salir despedidos y provocar lesiones incluso fuera de la zona de trabajo.
- j) **Sujete la herramienta por las empuñaduras aisladas cuando realice trabajos en los que la herramienta puede entrar en contacto con cables eléctricos ocultos o con el propio cable de la herramienta.** El contacto con los cables conductores puede traspasar la conductividad a las partes metálicas y producir descargas eléctricas.
- k) **Mantenga el cable de red alejado de las herramientas en movimiento.** Si pierde el control sobre la herramienta, el cable de red puede desconectarse o engancharse y la herramienta en movimiento podría ocasionarle lesiones en las manos o brazos.
- l) **Nunca guarde la herramienta eléctrica hasta que no se haya detenido por completo.** El útil en movimiento puede entrar en contacto con la superficie de trabajo haciéndole perder el control sobre la herramienta eléctrica.
- m) **No transporte la herramienta eléctrica en funcionamiento.** Su ropa puede entrar en contacto con la herramienta en movimiento de forma accidental, engancharse con ella e incluso llegar a ocasionarle lesiones.
- n) **Limpie las rejillas de ventilación de la herramienta eléctrica con regularidad.** El ventilador del motor conduce el polvo aspirado al interior de la carcasa, de modo que una concentración elevada de polvo de metal puede dar lugar a averías eléctricas.
- o) **No utilice la herramienta eléctrica cerca de materiales inflamables.** Las chispas podrían inflamar dichos materiales.
- p) **No utilice útiles que requieran refrigerante líquido.** El uso de agua u otros refrigerantes líquidos puede producir descargas eléctricas.

### 5.2.1 Indicaciones de seguridad adicionales Descripción del rebote e indicaciones de seguridad correspondientes

El rebote es la reacción repentina causada por una herramienta atascada o bloqueada en movimiento, del tipo, por ejemplo, de discos lijadores, discos abrasivos, cepillos de alambre, etc. El atascamiento o el bloqueo origina una parada brusca de la herramienta en movimiento. Por ello, una herramienta eléctrica incontrolada se acelera en la dirección de giro opuesta respecto al lugar de bloqueo. Si, por ejemplo, un disco lijador se atasca o bloquea en una pieza de trabajo, el borde del disco lijador que penetra en la pieza de trabajo puede engancharse y, como consecuencia, romperse o dar lugar a un rebote. El disco lijador avanza hacia el usuario o se aleja de él, según la dirección de giro del disco respecto a la posición de bloqueo. En este caso, los discos lijadores también pueden romperse. El rebote se debe a un uso incorrecto de la herramienta eléctrica. Puede evitarse cumpliendo las medidas de seguridad pertinentes que se describen a continuación.

- a) **Sujete bien la herramienta eléctrica y mantenga su cuerpo y brazos en una posición que le permita hacer frente a las fuerzas de rebote. Utilice siempre la empuñadura adicional, en caso de existir, para tener el máximo control sobre las fuerzas de rebote o los momentos de retroceso a plena marcha.** Tomar las medidas de precaución adecuadas contribuye a tener un control absoluto sobre las fuerzas de rebote y retroceso.
- b) **No coloque nunca la mano cerca de los útiles en movimiento.** La herramienta puede efectuar movimientos bruscos a causa del rebote y alcanzarle la mano.
- c) **Mantenga una distancia de seguridad respecto a la zona de movimiento del rebote.** El rebote empuja la herramienta eléctrica en dirección opuesta al movimiento del disco lijador respecto a la posición de bloqueo.

- d) **Tenga especial cuidado cerca de las esquinas y cantos afilados y evite que los útiles reboten o se enganchen con la pieza de trabajo.** La herramienta en movimiento tiende a engancharse con las esquinas o cantos afilados en caso de rebote. Ello puede comportar la pérdida de control o el rebote de la herramienta.
- e) **No utilice ninguna hoja de sierra de cadena o dentada.** Estos útiles a menudo ocasionan el rebote o la pérdida de control de la herramienta eléctrica.

### 5.2.2 Indicaciones de seguridad específicas para las aplicaciones de lijado

- a) **Utilice únicamente cuerpos de lijado apropiados para su herramienta eléctrica y la cubierta protectora indicada para el lijado de cada cuerpo.** Los cuerpos de lijado cuyo uso no está previsto para una herramienta determinada no pueden protegerse de forma apropiada y, como consecuencia, su aplicación no es segura.
- b) **La protección debe colocarse de forma segura y ajustarse de tal manera que se garantice la máxima seguridad, es decir, que el usuario quede expuesto en el menor grado posible al cuerpo de lijado.** El usuario debe utilizar la protección para protegerse de los fragmentos que puedan desprenderse y del contacto accidental con el cuerpo de lijado.
- c) **Los cuerpos de lijado solamente pueden utilizarse para las aplicaciones de uso recomendadas. Por ejemplo: no lije nunca con la superficie lateral de un disco tronizador.** Los discos tronizadores están diseñados para arrancar material con el borde. La acción de la fuerza lateral puede romper los cuerpos de lijado.
- d) **Utilice siempre bridas de apriete no dañadas de tamaño y forma adecuados para los discos lijadores elegidos.** Las bridas apropiadas sirven de soporte para los discos lijadores y reducen el riesgo de rotura de los mismos. Las bridas para discos tronizadores pueden diferenciarse de las bridas para otros discos lijadores.
- e) **No utilice discos lijadores desgastados de herramientas eléctricas de mayores dimensiones.** Los discos lijadores para herramientas eléctricas más grandes no son apropiados para las elevadas velocidades alcanzadas por las herramientas eléctricas de menor tamaño, puesto que podrían romperse.

### 5.3 Indicaciones de seguridad adicionales

#### 5.3.1 Seguridad de las personas

- a) Cuidar de no tropezar con el cable de la red, el prolongador o el tubo de aspiración.
- b) En todas las actividades debe estar montada la empuñadura lateral.
- c) Mantenga la empuñadura seca, limpia y libre de aceites o grasas.
- d) La herramienta sólo se puede utilizar guiándola con ambas manos.
- e) **Efectúe pausas durante el trabajo, así como ejercicios de relajación y estiramiento de los dedos para mejorar la circulación.**
- f) **Compruebe que la herramienta está firmemente sujeta antes de cada puesta en servicio y después**

#### de las pausas en el trabajo.

#### -PRECAUCIÓN-

La herramienta en movimiento entraña un peligro de lesiones. **Asegúrese de utilizar la herramienta únicamente orientada hacia la superficie.**

- g) Proceda a fijar las piezas sueltas mediante un dispositivo de sujeción o con un tornillo de banco.
- h) Tenga cuidado con los cables eléctricos y tuberías de gas y agua que pueda haber escondidas. Revise la zona de trabajo, por ejemplo, con un buscador de metales.
- i) Al lijar pueden saltar chispas. Cerciórese de que no haya nadie en peligro.
- j) Al trabajar sobre materiales conductivos puede acumularse en el interior de la herramienta polvo conductor, puentear el aislamiento y provocar una sacudida eléctrica. Por eso, al menos una vez cada seis meses, los especialistas de Hilti deben revisar la capacidad de aislamiento de la herramienta utilizada o la acumulación de polvos u otros residuos conductivos.
- k) **-PRECAUCIÓN-** La herramienta sigue funcionando durante unos dos segundos después de haberla apagado.
- l) **La herramienta no es apta para el uso por parte de niños o de personas físicamente no preparadas que no tengan la debida instrucción.**
- m) **Es conveniente advertir a los niños de que no deben jugar con la herramienta.**



- n) Al montar la herramienta, observar la flecha de sentido de giro.



- o) Si mientras se está trabajando se dañan el cable de red o el prolongador, no los toque. Desenchufe la clavija.
- p) Como prueba, deje funcionar las herramientas nuevas para lijar a la velocidad de giro en vacío máxima durante un mínimo de 30 segundos.
- q) **-AVISO-** No desenchufe la clavija de la unidad DPC20 de la conexión a la red si la lijadora DG 150 está en funcionamiento.
- r) **Si existe riesgo de dañar cables eléctricos cubiertos o el cable de red con la herramienta, sujete la herramienta por las superficies de la empuñadura provistas con aislante.** El contacto con cables eléctricos puede cargar de electricidad las partes metálicas de la herramienta que no cuentan con protección y el usuario queda expuesto así a un riesgo de descargas eléctricas.



- s) El plato de desbaste, partes de la cubierta protectora o de la herramienta (cabeza del engranaje) pueden calentarse con el uso. Para evitar quemaduras, no toque estas piezas sin guantes protectores.



- t) Conecte la herramienta al aspirador de polvo de construcción.
- u) Los dispositivos de seguridad y piezas dañadas deben ser debidamente reparados o sustituidos en un taller especializado reconocido, a no ser que se indique lo contrario en el manual de instrucciones.
- v) Por motivos de seguridad, la herramienta sólo se puede utilizar con cubierta protectora, guantes protectores y empuñadura lateral.
- w) Adapte la cubierta protectora cuando cambie de posición de trabajo, sólo con la herramienta apagada y la clavija desenchufada.

Al lijar pueden aparecer polvos de lijadura peligrosos.

- x) Establezca antes de empezar a trabajar la clase de peligrosidad de los polvos resultantes del lijado. Utilice para trabajar con la herramienta un aspirador de polvo de construcción con una categoría de protección autorizada oficialmente que satisfaga la normativa local de protección contra el polvo.
- y) Al lijar se debe utilizar un aspirador de polvo de construcción con filtros apropiados para el trabajo de que se trate.

z) **ADVERTENCIA: Ciertos tipos de polvo que se producen al realizar trabajos de desbarbado, lijado, tronzado y taladrado, contienen sustancias químicas, conocidas por provocar cáncer, que ocasionan malformaciones en el feto, esterilidad, problemas en las vías respiratorias y otras lesiones.** Entre estas sustancias químicas se encuentran el plomo de la pintura de plomo, el cuarzo cristalino derivado de ladrillos secos, hormigón, mampostería o piedras naturales, o el arsénico y el cromo derivados de la madera de construcción tratada con productos químicos. El nivel de riesgo varía dependiendo de la frecuencia con la que se realizan estos trabajos. **Para reducir los efectos de estas sustancias químicas, tanto el usuario como terceras personas deben trabajar en espacios con buena ventilación y usar siempre equipos de seguridad autorizados. Utilice una mascarilla adecuada para determinados tipos de polvo que pueda filtrar además partículas microscópicas y mantenga alejado el polvo de la cara y el cuerpo. Evite un contacto prolongado con el polvo.** Utilice prendas protectoras y lave con agua y jabón las partes de su cuerpo que hayan estado en contacto con el polvo. La inhalación de partículas de polvo a través de la boca y el contacto prolongado del polvo con la piel y los ojos puede favorecer la ingestión de sustancias químicas perjudiciales para la salud.

### 5.3.2 Equipo de seguridad personal

- a) **El usuario y las personas que se encuentren en las inmediaciones de la zona de uso de la herramienta deberán llevar gafas protectoras, casco de protección, protección para los oídos, guantes de protección, una mascarilla ligera y ropa protectora homologados según la norma ANSI Z87.1.**

- b) Al trabajar en el suelo lleve siempre rodilleras.



## 6. Puesta en funcionamiento

Es imprescindible que lea y siga las indicaciones sobre seguridad de este manual de instrucciones.

-PRECAUCIÓN-	
  	<ul style="list-style-type: none"> <li>■ El plato, o partes de la cubierta protectora, se pueden calentar con el uso.</li> <li>■ Pueden causar quemaduras en las manos.</li> <li>■ Para cambiar el plato o ajustar la cubierta protectora, utilice guantes protectores.</li> </ul>

### 6.1 Cubierta protectora

**-ADVERTENCIA-** ¡La herramienta sólo se puede usar con la cubierta protectora montada!

¡Si una cubierta protectora está dañada o incompleta debe ser sustituida de inmediato!

#### 6.1.1 Ajustar la cubierta protectora **1**

Girando toda la cubierta protectora se puede poner la manguera de aspiración en la posición más favorable para trabajar.

Girar la cubierta protectora:

1. Apague la herramienta.
2. Desenchufe la clavija de red.
3. Abra la palanca tensora.
4. Gire la cubierta protectora.

**-NOTA-** Si la manguera de aspiración choca con la palanca abierta, hay que desplazar hacia abajo la cubierta para que siga girando.

5. Cierre la palanca tensora.

#### 6.1.2 Adaptar la cubierta protectora a las superficies de trabajo

1. Apague la herramienta
2. Desenchufe la clavija de red.
3. Ponga la herramienta sobre el plato.
4. Abra la palanca tensora.
5. Gire la cubierta protectora y ajústela a la altura óptima.

**-NOTA-** Está garantizada la correcta evacuación del polvo durante el trabajo si el cierre hermético toca directamente el suelo (distancia 0 ... 1 mm).

6. Cierre la palanca tensora.

#### 6.1.3 Ajustar la cubierta protectora para lijar bordes

Para lijar a lo largo de una pared, por ejemplo, la abertura de segmentos de la parte inferior de la cubierta protectora se puede girar de tal forma que el disco se libere parcialmente.

	<b>-ADVERTENCIA-</b>
	<ul style="list-style-type: none"> <li>■ Para lijar bordes la cubierta protectora se abre parcialmente.</li> <li>■ Puede lesionarse gravemente si toca el plato que está rotando.</li> <li>■ Trabaje con cuidado con la cubierta protectora abierta y vuelva a ponerla en protección completa al acabar con el borde.</li> </ul>

**-NOTA-** Al lijar bordes puede haber una mayor salida de polvo en la cubierta protectora.

**Proceso de ajuste:**

1. Apague la herramienta.
2. Desenchufe la clavija de red.
3. Abra la palanca tensora.
4. Gire la parte superior de la cubierta protectora contra la parte inferior hasta alcanzar la posición adecuada.
5. Cierre la palanca tensora.

**-NOTA-** El ajuste normal cerrado de la cubierta de protección se puede percibir por el punto de encaje.

**-NOTA-** En caso de que la cubierta protectora no se quede fija al cerrar la palanca, tense más la cinta de sujeción girando a la derecha el tornillo de ajuste.

Si no se puede mover la cubierta protectora estando la palanca abierta, afloje la cinta de sujeción girando a la izquierda el tornillo de ajuste.

**6.2 Empuñadura lateral 1**

**6.2.1 Uso y ajuste de la empuñadura lateral**

Por motivos de seguridad, siempre se debe usar la empuñadura lateral.

Se puede ajustar alrededor de dos ejes en la posición de trabajo más favorable en cada momento:

- dos inclinaciones para la mano derecha o izquierda;
- se puede rotar escalonadamente hacia adelante / hacia atrás.

1. Apague la herramienta.
2. Desenchufe la clavija de red o la de la herramienta.
3. Afloje la empuñadura lateral girando el tornillo tensor en sentido contrario a las agujas del reloj.
4. Ponga la empuñadura en la posición deseada.
5. Apriete el tornillo tensor girándolo en el sentido de las agujas del reloj.

**6.3 Plato de desbaste 2**

- Antes de trabajar en la zona de los platos hay que apagar siempre la herramienta (desenchufar la clavija de la red).
- Mientras esté funcionando el plato no apriete el botón de retención del husillo.
- Al cambiar el plato, limpie todas las piezas de la zona de admisión de útiles.
- Utilice solamente platos de vaso diamantados originales de Hilti.

**6.3.1 Montaje de los platos de desbaste**

1. Previamente, introduzca la brida con nicho en forma de O en el husillo y haga que encaje **15A**.
2. Introduzca el plato en el collar de centrado de la brida **15B**.
3. Atornille la tuerca tensora en el sentido de las agujas del reloj y apriétela con la mano o con la llave de mandril contra la resistencia de la transmisión.

**6.3.2 Desmontaje del plato de desbaste**

1. Mantenga apretado el botón de retención del husillo.
2. Afloje la tuerca tensora poniendo la llave de mandril y girando en sentido contrario a las agujas del reloj.
3. Suelte el botón de retención del husillo.
4. Retire el plato.

**6.3.3 Ajustar la velocidad**

La herramienta ofrece al usuario dos velocidades de rotación diferentes.

**Recomendación:**

Nivel I: 4700 /min

Utilice este nivel para la abrasión de suelos minerales blandos, como pintura sobre enlucido de mortero, para una mejor aspiración del polvo y para poder guiar suavemente la herramienta en la abrasión de recubrimientos sobre suelos blandos.


Nivel II: 6600 /min

Utilice este nivel para la abrasión de suelos minerales duros, como hormigón, pavimento o piedra, para aprovechar toda la potencia de las herramientas.

**7. Manejo**

Es imprescindible que lea y siga las indicaciones de seguridad de este manual de instrucciones.

	<b>-PRECAUCION-</b>
	<ul style="list-style-type: none"> <li>■ Al lijar puede aparecer polvo de lijadura peligroso.</li> <li>■ El polvo de lijadura puede dañar los pulmones y los ojos.</li> <li>■ Utilice un aspirador de polvo, un casco protector, una mascarilla de protección respiratoria y protección para los ojos.</li> </ul>

	<b>-PRECAUCIÓN-</b>
	<ul style="list-style-type: none"> <li>■ La herramienta y el proceso de lijado producen ruido.</li> <li>■ Un ruido demasiado fuerte puede dañar los oídos.</li> <li>■ Use protección para los oídos.</li> </ul>

## 7.1 Encender la herramienta

1. Empalme el tubo entre la herramienta y el aspirador de polvo de construcción.
2. Haga la conexión eléctrica entre la DG 150 y el DPC20.
3. Conecte el DPC 20 a la red.
4. Levante la herramienta sobre la pieza a trabajar.
5. Empuje hacia adelante el interruptor hasta la posición de encendido (I). El interruptor se queda encajado en la posición de encendido (I).

Después de un fallo en la corriente eléctrica sólo se puede volver a iniciar la herramienta poniendo primero el interruptor en la posición de apagado (0) y volviéndolo a poner a continuación en la posición de encendido (I).

## 7.2 Prueba de platos nuevos

Deje que la máquina funcione al menos treinta segundos sin carga ¡No use platos de desbaste diamantados que vibren! Proteja los platos de desbaste de los golpes y los choques, así como de la grasa.

## 7.3 Lijar

- "Precaución". La lijadora DG 150 debe guiarse siempre por la superficie de trabajo o sus márgenes durante la prueba y el funcionamiento de los platos de desbaste y hasta la parada de los mismos.
- Nunca trabaje sin dispositivo de protección.
- Utilice solamente los platos de desbaste de Hilti DG-CW 150/6"
- Trabaje presionando moderadamente, con una fuerza adaptada al material que se esté tratando. Mueva la herramienta hacia adelante y hacia atrás, y no presione el plato contra el material.
- Al trabajar con suelos minerales especialmente duros, por ejemplo con una alta concentración de sílice, el plato se puede sobrecaleentar y, con ello, dañarse. En este caso debe interrumpir el proceso de lijado y dejar que se enfríe el plato sin cargar en régimen de marcha en vacío durante unos instantes.
- Una pérdida de rendimiento puede ser indicio de que el plato se ha quedado sin filo. (Pulimento de los segmentos). Se puede volver a afilar lijando en material abrasivo (disco de afilar Hilti o arenisca calcárea abrasiva).

## 7.4 Apagar la herramienta

1. Pulse el interruptor. Al soltarlo, el interruptor salta a la posición de apagado.
2. Desenchufe la clavija de red.
3. Si hay aspirador de polvo de construcción, desenchufe el tubo entre éste y la herramienta.

# 8. Cuidado y mantenimiento

¡Desenchufe la clavija antes de realizar ninguna tarea en la DG 150 o en el DPC 20!

Mantenga siempre limpias y sin obstruir las rendijas de ventilación de la carcasa del motor. No use objetos metálicos para limpiarlo.

En condiciones de uso extremas, al trabajar en suelos minerales puede depositarse polvo conductivo en el interior de la herramienta. Puede dañarse el aislamiento de protección de la herramienta.

## -PRECAUCIÓN-

**Mantenga la herramienta seca, limpia y libre de aceite y grasa, en especial las superficies de la empuñadura. No utilice productos de limpieza que contengan silicona.**

La carcasa exterior de la herramienta está fabricada en plástico resistente a los golpes. La empuñadura es de un material elastómero.

No utilice nunca la herramienta si esta tiene obstruidas las ranuras de ventilación. Limpie cuidadosamente las rejillas de ventilación con un cepillo seco. Evite que se introduzcan cuerpos extraños en el interior de la herramienta. Limpie regularmente el exterior de la herramienta con un paño ligeramente humedecido. No utilice pulverizadores, aparatos de chorro de vapor o agua corriente para la limpieza, ya que podría mermar la seguridad eléctrica de la herramienta.

## 8.1 Sustitución de los cierres herméticos de la cubierta protectora

Al menos en cada sustitución del plato de desbaste, cambie también los cierres herméticos de la cubierta protectora.

**-NOTA-** El girar entre sí las dos partes de la cubierta protectora facilita el montaje / desmontaje de los elementos de estanqueidad.

## Desmontaje

1. Antes de trabajar en la zona de los útiles hay que apagar siempre la herramienta (desenchufar la clavija de red).
2. Presione con un destornillador las tres lengüetas de sujeción del aro de retención por encima del borde de la cubierta protectora.
3. Retire el cierre hermético grande del aro de retención.
4. Suelte el cierre hermético pequeño presionando con un destornillador en las dos rendijas de la cara exterior de la cubierta protectora.

## Montaje

1. Limpie someramente las partículas de polvo de las ranuras receptoras.
2. Meta el cierre hermético pequeño en la guía de la cubierta protectora, presionando hasta que quede encajada.
3. Ponga el cierre hermético grande en la ranura del aro de retención.
4. Presione el aro de retención con el cierre hermético por encima del borde de la cubierta protectora hasta que quede encajado.

## 8.2 Reparaciones

Si, a pesar de los meticulosos procesos de fabricación y prueba, la herramienta sufriese una avería, la reparación la deberá llevar a cabo un punto de servicio Hilti. Las reparaciones sólo pueden realizarlas profesionales de la electricidad.

## 9. Solución de problemas

### 9.1 Indicador luminoso del DG 150 (LED)

La luz roja parpadeante indica un sobrecalentamiento de la herramienta. La luz parpadea mientras persista el fallo, independientemente de la posición del interruptor.

En caso de que la luz roja parpadee, por favor, apague la herramienta y deje que se enfríe hasta que ya no brille la luz roja

### 9.2 Indicador luminoso del DPC 20 (LED)

Estados del indicador:

a) Luz verde continua:

Muestra la disposición de funcionamiento del DPC 20. Hay suministro de red, el DPC 20 no muestra defectos de funcionamiento. Este es el caso normal.

b) Parpadeo verde:

Sólo puede aparecer en las herramientas de las variantes de 100 a 120 V en carga. En este caso, la tensión de red es demasiado baja. La herramienta DG 150 reacciona con una visible disminución de la potencia.

c) Parpadeo rojo:

Muestra una reacción del DPC 20 ante alguna irregularidad de la corriente, la tensión, la temperatura, etc. Se vuelve a poner verde cuando se suprime la causa. Si el indicador rojo sigue parpadeando hay que desenchufar el cable de la corriente principal, esperar unos segundos y volver a conectarlo. Si el indicador rojo sigue parpadeando, hay que revisar los fusibles de salida.

### Indicador apagado

Al DPC 20 le falta la tensión de red. Esto puede deberse a la red, a la línea de alimentación o a que el DPC 20 está defectuoso. No se puede averiguar directamente si es el mismo indicador el que está defectuoso. Por eso, el DPC 20 se debe llevar a revisión junto con el DG 150, a un especialista o al servicio Hilti, al menos dos veces al año.

## 10. Reciclaje



Reciclar los materiales usados

Las herramientas Hilti están fabricadas en su mayor parte con materiales reutilizables. La condición para dicha reutilización es una separación de materiales adecuada. En muchos países, Hilti ya está organizada para recoger su vieja herramienta y proceder a su recuperación. Póngase en contacto con el servicio de atención al cliente de Hilti o con su asesor de ventas.

## 11. Garantía del fabricante de las herramientas

Hilti garantiza la herramienta suministrada contra todo fallo de material y de fabricación. Esta garantía se otorga a condición de que la herramienta sea utilizada, manejada, limpiada y revisada en conformidad con el manual de instrucciones de Hilti, y de que el sistema técnico sea salvaguardado, es decir, que se utilicen en la herramienta exclusivamente consumibles, accesorios y piezas de recambio originales de Hilti.

Esta garantía abarca la reparación gratuita o la sustitución sin cargo de las piezas defectuosas durante toda la vida útil de la herramienta. La garantía no cubre las piezas sometidas a un desgaste normal. Hilti será quien defina cuál es el periodo de vida útil de la herramienta, fijando este plazo siempre por encima de lo que marque la ley vigente

**Quedan excluidas otras condiciones que no sean las expuestas, siempre que esta condición no sea contraria a las prescripciones nacionales vigentes. Hilti no acepta la responsabilidad especialmente en relación con deterioros, pérdidas o gastos directos, indirectos, accidentales o consecutivos, en relación con la utilización o a causa de la imposibilidad de utilización de la herramienta para cualquiera de sus finalidades. Quedan excluidas en particular todas las garantías tácitas relacionadas con la utilización y la idoneidad para una finalidad precisa.**

Para toda reparación o recambio, les rogamos que envíen la herramienta o las piezas en cuestión a la dirección de su organización de venta Hilti más cercana inmediatamente después de la constatación del defecto.

Estas son las únicas obligaciones de Hilti en materia de garantía, las cuales anulan toda declaración anterior o contemporánea, del mismo modo que todos los acuerdos orales o escritos en relación con las garantías.



# Rebarbadora de betão DG 150 com DPC 20

**Antes de utilizar a ferramenta, por favor leia atentamente o manual de instruções.**

**Conserve o manual de instruções, sempre junto da ferramenta.**

**Entregue a ferramenta a outras pessoas juntamente com o manual de instruções.**

Índice	Página
1. Informação geral	37
2. Descrição	38
3. Acessórios	39
4. Características técnicas	40
5. Normas de segurança	40
6. Antes de iniciar a utilização	44
7. Utilização	45
8. Conservação e manutenção	46
9. Avarias possíveis	47
10. Reciclagem	47
11. Garantia do fabricante sobre ferramentas	47

## Comandos operativos e componentes DG 150 1 2

- 1 Interruptor
- 2 Punho auxiliar
- 3 Resguardo
- 4 Parafuso de ajuste
- 5 Alavanca de aperto
- 6 Luz avisadora (LED)
- 7 Ficha para o cabo de alimentação
- 8 Interruptor da velocidade (1ª e 2ª)
- 9 Parafuso de aperto do punho auxiliar
- 10 Braçadeira de aperto
- 11 Chave de pinos
- 12 Porca de aperto
- 13 Mó diamantada
- 14 Vedação lamelar, pequena
- 15 Flange de aperto
- 16 Vedação lamelar, grande
- 17 Anel de retenção
- 18 Veio
- 19 Trava do veio
- 20 Secção inferior do resguardo
- 21 Secção superior do resguardo com ligação para mangueira
- 22 Botão de bloqueio do veio

## Comandos operativos e componentes DPC 20 3

- 23 Luz avisadora (LED)
- 24 Cabo de alimentação
- 25 Friso guia
- 26 Pega para transporte
- 27 Suporte do cabo de alimentação
- 28 Ficha eléctrica com tampa
- 29 Alça de travamento

## 1. Informação geral

1 Estes números referem-se aos comandos operativos e componentes da ferramenta.

1 Estes números referem-se a figuras. Estas encontram-se nas contracapas desdobráveis. Ao ler as instruções, mantenha as contracapas abertas.

Nestas instruções a palavra "ferramenta" refere-se à rebarbadora de betão DG 150, com o DPC 20.

### Localização da informação na ferramenta

A designação e o número de série da ferramenta encontram-se na placa de características. Anote estas informações no seu Manual de Instruções e faça referência a estes elementos sempre que necessitar de qualquer peça/acessório para a ferramenta.

Tipo: \_\_\_\_\_

Número de Série: \_\_\_\_\_

Tipo: \_\_\_\_\_

Número de Série: \_\_\_\_\_



## 1.1 Indicação de perigo

### -PERIGO-

Indica operação potencialmente perigosa que pode originar acidentes pessoais, até mesmo fatais.

### -CUIDADO-

Indica operação potencialmente perigosa que pode originar acidentes pessoais bem como danos patrimoniais (na ferramenta e outros).

### -NOTA-

Indica uma instrução / informação útil. Não indica perigo

## 1.2 Pictogramas

### Sinais de aviso



Perigo geral



Perigo:  
electricidade



Perigo: evite  
acidentes



Perigo:  
superfície  
quente

### Sinais de obrigação



Use óculos



Use capacete  
de segurança



Use protecção  
auricular



Use luvas  
de protecção



Use máscara  
anti-poeiras



Use máscara  
anti-poeiras

### Símbolos



Leia o Manual  
de Instruções  
antes de iniciar  
a utilização da  
ferramenta.



Recicle os  
desperdícios

**RPM** /min

Rotações por  
minuto

Rotações por  
minuto

**V**

Volts

**Hz**

Hertz

**A**

Amperes

**W**

Watts

## 2. Descrição

A DG 150 é uma rebarbadora de betão, eléctrica, concebida para ser utilizada na construção civil, para rebarbar materiais minerais. Esta ferramenta só pode ser operada em conjunto com o DPC 20, formando, portanto, um sistema.

### Utilização correcta

A DG 150 só pode ser utilizada com o DPC20. A DG150 forma, em conjunto com o aspirador industrial recomendado pela Hilti e as correspondentes mós diamantadas DG-CW 150/6", um sistema de rebarbar manual eléctrico com a mais pequena carga de pó. Para garantir uma eficaz extracção do pó, deve ser sempre utilizado um aspirador. Para garantir uma operação segura a DG 150 só deve ser utilizada com mós diamantadas Hilti. A DG 150 foi

concebida para utilização a seco, em superfícies de betão ou outros materiais minerais similares, para remover revestimentos com uma espessura máxima de 3 mm. Devem observar-se sempre as normas e regulamentos locais, no que respeita a higiene e segurança no trabalho.

**Sob nenhuma circunstância pode esta ferramenta ser utilizada para fins diferentes daqueles para os quais foi concebida.**

- Esta ferramenta não foi concebida para rebarbar metal, madeira ou outros materiais que não se encontrem descritos no ponto 2.
- Esta ferramenta não pode ser utilizada com discos diamantados, discos abrasivos de corte e rebarbar, escovas de arame ou outros acessórios não aprovados (ver secção 3).
- Esta ferramenta não pode ser utilizada a húmido.
- Não fixe a ferramenta no torno.
- Não é permitido rebarbar materiais que contenham amianto.
- Se pretende rebarbar materiais contendo substâncias prejudiciais à saúde, aconselha-se uma prévia consulta às normas e regulamentos locais sobre higiene e segurança no trabalho.
- Não utilize quaisquer outras mós diamantadas, flanges e porcas de aperto, além das referidas no ponto 3 "Mós diamantadas e acessórios".
- Peças salientes, como pregos, parafusos, etc., não podem ser rebarbadas. Remova-as com cuidado antes de começar com o trabalho de rebarbar.

#### Incluído no fornecimento

1	Rebarbadora de betão DG 150
1	Transformador de corrente DPC 20
1	Flange de aperto
1	Porca de aperto
1	Chave de pinos
1	Óculos de protecção
1	Manual de instruções

### 3. Mós diamantadas e acessórios

Mó diamantada Hilti	Utilização ideal
DG-CW 150/6" A1	Rebarbar materiais altamente abrasivos, tais como argamassa e materiais minerais similares
DG-CW 150/6" B1	Remover revestimentos do betão e outros materiais minerais similares, com um máximo de 3mm de espessura
DG-CW 150/6" C1	Rebarbar betão e outros materiais minerais similares de dureza e abrasividade médias
DG-CW 150/6" C10	Rebarbar betão
DG-CW 150/6" C2	Rebarbar betão e materiais similares muito duros e altamente abrasivos
DG-CW 150/6" D1	Acabamento de qualidade em superfícies de betão e materiais minerais similares
Vedação lamelar	Uma vedação pequena + uma vedação grande
Anel de retenção	Anel de retenção para ajustar a vedação lamelar grande ao resguardo do pó
Mala de ferramentas DG 150	Mala de transporte
VCD 50L	Aspirador a seco
Flange de aperto para DG 150	Flange de aperto rápido para ser usada exclusivamente na colocação da mó diamantada Hilti DG-CW 150/6"
Porca de aperto para DG 150	Porca especial M13 para colocar mó diamantada Hilti DG-CW 150/6"

## 4. Características técnicas

	DG 150	DPC 20
Voltagem		120 V
Corrente nominal		15 A
Potência		1800 W
Potência útil		1285 W
Frequência		60 Hz
Velocidade nominal 1ª velocidade	4700 /min	
Velocidade nominal 2ª velocidade	6600 /min	
Peso de acordo com o Procedimento EPTA de 01/2003	4,1 kg (9,0 lbs)	3,8 kg (8,4 lbs)
Dimensões (LxBxH)	46x25x23 cm (18,1x9,8x9,1")	27x22x15 cm (10,6x18,7x5,9")
Classe protecção eléctrica		Protecção classe II $\square$ (duplo isolamento)

### Outras características significativas

Tempo de paragem após desligar  $\leq$  2 segundos

Protecção diferencial térmica

Arranque de segurança

Reservado o direito a modificações técnicas.

## 5. Normas de segurança

### 5.1 Normas de segurança gerais para ferramentas eléctricas



**AVISO:** Leia todas as normas de segurança e instruções. O não cumprimento das normas de segurança e instruções pode resultar em choque eléctrico, incêndio e/ou lesões graves. **Guarde bem todas as normas de segurança e instruções para futura referência.** O termo "ferramenta eléctrica" utilizado nas normas de segurança refere-se a ferramentas eléctricas que se ligam à rede (através do cabo de alimentação) e a ferramentas eléctricas alimentadas a bateria (sem cabo de alimentação).

#### 5.1.1 Segurança no posto de trabalho

- Mantenha a sua área de trabalho limpa e bem iluminada.** Locais desarrumados ou mal iluminados podem ocasionar acidentes.
- Não opere com a ferramenta em ambientes explosivos ou na proximidade de líquidos ou gases inflamáveis.** Ferramentas eléctricas produzem faíscas que podem provocar a ignição de pó e vapores.

- Mantenha crianças e terceiros afastados durante os trabalhos.** Distracções podem conduzir à perda de controlo sobre a ferramenta.

#### 5.1.2 Segurança eléctrica

- A ficha da ferramenta eléctrica deve servir na tomada. A ficha não deve ser modificada de modo algum. Não utilize quaisquer adaptadores com ferramentas com ligação terra.** Fichas originais (não modificadas) e tomadas adequadas reduzem o risco de choque eléctrico.
- Evite o contacto do corpo com superfícies ligadas à terra, como, por exemplo, canos, radiadores, fogões e frigoríficos.** Existe um risco elevado de choque eléctrico se o corpo estiver em contacto com a terra.
- A ferramenta eléctrica não deve ser exposta à chuva nem humidade.** A infiltração de água na ferramenta eléctrica aumenta o risco de choque eléctrico.
- Não use o cabo para transportar, arrastar ou desligar a ferramenta da tomada. Mantenha o cabo afastado de calor, óleo, arestas vivas ou partes em movimento da ferramenta.** Cabos danificados ou emaranhados aumentam o risco de choque eléctrico.
- Quando operar uma ferramenta eléctrica ao ar livre, utilize apenas cabos de extensão próprios para**

**utilização no exterior.** A utilização de cabos de extensão próprios para exterior reduz o risco de choque eléctrico.

- f) **Utilize um disjuntor diferencial se não puder ser evitada a utilização da ferramenta eléctrica em ambiente húmido.** A utilização de um disjuntor diferencial reduz o risco de choque eléctrico.

### 5.1.3 Segurança física

- a) **Esteja atento ao que está a fazer e tenha prudência ao trabalhar com a ferramenta eléctrica. Não use a ferramenta eléctrica se estiver cansado ou sob a influência de drogas, álcool ou medicamentos.** Um momento de distração ao operar a ferramenta pode causar ferimentos graves.
- b) **Use equipamento de segurança. Use sempre óculos de protecção.** Equipamento de segurança, como, por exemplo, máscara antipoeiras, sapatos de segurança antiderrapantes, capacete de segurança ou protecção auricular, de acordo com o tipo e aplicação da ferramenta eléctrica, reduzem o risco de lesões.
- c) **Evite um arranque involuntário. Assegure-se de que a ferramenta está desligada antes de a ligar à fonte de alimentação e/ou à bateria, pegar nela ou a transportar.** Transportar a ferramenta eléctrica com o dedo no interruptor ou ligar uma ferramenta à tomada com o interruptor ligado (ON) pode resultar em acidentes.
- d) **Remova quaisquer chaves de ajuste (chaves de fenda), antes de ligar a ferramenta eléctrica.** Um acessório ou chave deixado preso numa parte rotativa da ferramenta pode causar ferimentos.
- e) **Evite posturas corporais desfavoráveis. Mantenha sempre uma posição correcta, em perfeito equilíbrio.** Desta forma será mais fácil manter o controlo sobre a ferramenta em situações inesperadas.
- f) **Use roupa apropriada. Não use roupa larga ou jóias. Mantenha o cabelo, vestuário e luvas afastados das peças móveis.** Roupas largas, jóias ou cabelos compridos podem ficar presos nas peças móveis.
- g) **Se poderem ser montados sistemas de aspiração e de recolha de pó, assegure-se de que estes estão ligados e são utilizados correctamente.** A utilização de um sistema de recolha do pó pode reduzir os perigos relacionados com a exposição ao mesmo.

### 5.1.4 Utilização e manuseamento da ferramenta eléctrica

- a) **Não sobrecarregue a ferramenta. Use para o seu trabalho a ferramenta eléctrica correcta.** Com a ferramenta eléctrica adequada obterá maior eficiência e segurança se respeitar os seus limites.
- b) **Não utilize a ferramenta eléctrica se o interruptor estiver defeituoso.** Uma ferramenta eléctrica que já não possa ser accionada pelo interruptor é perigosa e deve ser reparada.
- c) **Retire a ficha da tomada e/ou remova a bateria antes de efectuar ajustes na ferramenta, substituir acessórios ou guardar a ferramenta eléctrica.** Esta medi-

da preventiva evita o accionamento accidental da ferramenta.

- d) **Guarde ferramentas eléctricas não utilizadas fora do alcance das crianças. Não permita que a ferramenta seja utilizada por pessoas não qualificadas ou que não tenham lido estas instruções.** Ferramentas eléctricas operadas por pessoas não treinadas são perigosas.
- e) **Trate da sua ferramenta eléctrica com cuidado. Verifique se as partes móveis da ferramenta funcionam perfeitamente e não emperram, se há peças quebradas ou danificadas, que possam influenciar o funcionamento da ferramenta. Peças danificadas devem ser reparadas antes da utilização da ferramenta.** Muitos acidentes são causados por ferramentas eléctricas com manutenção deficiente.
- f) **Mantenha as ferramentas de corte sempre afiadas e limpas.** Ferramentas de corte com gumes afiados tratadas correctamente emperram menos e são mais fáceis de controlar.
- g) **Utilize a ferramenta eléctrica, acessórios, bits, etc., de acordo com estas instruções, tomando em consideração as condições de trabalho e a tarefa a ser executada.** A utilização da ferramenta eléctrica para outros fins além dos previstos, pode ocasionar situações de perigo.

### 5.1.5 Serviço

- a) **A sua ferramenta eléctrica só deve ser reparada por pessoal qualificado e só devem ser utilizadas peças sobressalentes originais.** Isto assegurará que a segurança da ferramenta se mantenha.

### 5.2 Normas de segurança especiais para todas as aplicações

**Normas de segurança comuns para trabalhos de rebarbar, lixar com papel de lixa, trabalhos com escovas de arame, polir e separar por disco de corte:**

- a) **Esta ferramenta eléctrica é para ser utilizada como rebarbadora. Observe todas as normas de segurança, instruções, ilustrações e dados que vêm com a ferramenta.** Caso não observar as instruções que se seguem, pode ocorrer choque eléctrico, incêndio e/ou ferimentos graves.
- b) **Esta ferramenta eléctrica não é adequada para lixar com papel de lixa e escovas de arame, bem como para polir e separar por disco de corte.** Aplicações para as quais a ferramenta eléctrica não está prevista podem provocar perigos e ferimentos.
- c) **Não utilize acessórios que não tenham sido previstos e recomendados pelo fabricante especificamente para esta ferramenta eléctrica.** O simples facto de poder fixar o acessório na sua ferramenta eléctrica não garante uma utilização segura.
- d) **A velocidade permitida do acessório deve estar dimensionada para, no mínimo, a velocidade máxima que consta na ferramenta eléctrica.** Acessórios que rodam a uma velocidade superior à permitida podem fragmentar-se e ser projectados.

- e) **Diâmetro exterior e espessura do acessório devem corresponder às dimensões da sua ferramenta eléctrica.** Acessórios mal dimensionados não podem ser resguardados ou controlados o suficiente.
- f) **Discos de rebarbar, falanges, discos abrasivos ou outros acessórios têm de ajustar-se exactamente ao veio da sua ferramenta eléctrica.** Acessórios que não se ajustam exactamente ao veio da ferramenta eléctrica rodam de forma irregular, vibram fortemente e podem levar à perda de controlo.
- g) **Não utilize acessórios danificados. Antes de cada utilização, examine os acessórios, tais como discos de rebarbar quanto a fragmentos e fissuras; discos abrasivos quanto a fissuras, desgaste ou forte deterioração; escovas de arame quanto a arames soltos ou partidos. No caso de a ferramenta eléctrica ou o acessório cair, verifique se ficou danificado ou utilize um acessório intacto. Quando tiver examinado e montado o acessório, mantenha-se a si e pessoas que se encontrem nas proximidades fora do plano do acessório em movimento e deixe trabalhar a ferramenta durante um minuto à velocidade máxima.** A maior parte dos acessórios danificados parte durante este período de ensaio.
- h) **Use equipamento de segurança. Use máscara protectora integral, guarda-vista ou óculos de protecção consoante a aplicação. Desde que adequado, use máscara antipoeiras, protecção auricular, luvas de protecção ou avental especial para manter pequenas partículas de abrasão e de material afastadas de si.** Os olhos devem ser protegidos de objectos estranhos projectados que são produzidos em diversas aplicações. As máscaras antipoeiras e respiratórias devem filtrar as poeiras que são produzidas durante a utilização. Se estiver exposto durante muito tempo a ruído intenso, poderá vir a sofrer de perda de audição.
- i) **Assegure-se de que outras pessoas se mantêm afastadas o suficiente da sua zona de trabalho. Cada pessoa que entrar na zona de trabalho tem de usar equipamento de segurança.** Fragmentos da peça a trabalhar ou de acessórios partidos podem ser projectados e provocar ferimentos mesmo para além da zona de trabalho imediata.
- j) **Segure a ferramenta apenas pelas superfícies isoladas dos punhos quando executa trabalhos onde o acessório pode encontrar cabos eléctricos encobertos ou o próprio cabo de rede.** O contacto com um cabo sob tensão também pode colocar partes metálicas da ferramenta sob tensão e causar um choque eléctrico.
- k) **Mantenha o cabo de rede afastado de acessórios em movimento.** Quando perder o controlo sobre a ferramenta, o cabo de rede pode ser cortado ou agarrado e a sua mão ou braço puxado contra o acessório em movimento.
- l) **Nunca pouse a ferramenta eléctrica enquanto o acessório não estiver completamente parado.** O acessório em movimento pode entrar em contacto com a área de colocação, pelo que pode perder o controlo sobre a ferramenta eléctrica.
- m) **Não deixe a ferramenta eléctrica a trabalhar enquanto a transporta.** A sua roupa pode ser agarrada devido a contacto accidental com o acessório em movimento e este perfurar o corpo.
- n) **Limpe regularmente as saídas de ar da sua ferramenta eléctrica.** O ventilador do motor aspira poeiras para dentro da carcaça, podendo originar perigos de origem eléctrica devido a uma forte acumulação de pós metálicos.
- o) **Não utilize a ferramenta eléctrica na proximidade de materiais inflamáveis.** Faíscas podem inflamar tais materiais.
- p) **Não utilize quaisquer acessórios que exijam líquidos de refrigeração.** A utilização de água ou outros líquidos de refrigeração pode resultar num choque eléctrico.

### 5.2.1 Normas de segurança adicionais

#### O coice e respectivas indicações de segurança

O coice é a reacção repentina em consequência de um acessório em movimento, como disco de rebarbar, prato de rebarbar, escova de arame etc., preso ou bloqueado. A prisão ou bloqueio ocasiona uma paragem súbita do acessório em movimento. Isto faz com que uma ferramenta eléctrica descontrolada seja acelerada no ponto do bloqueio contra o sentido de rotação do acessório. Quando, por exemplo, um disco de rebarbar prende ou fica bloqueado numa peça, o rebordo do disco que mergulha na peça pode encravar e o disco fugir ou provocar um coice. O disco de rebarbar move-se então no sentido do operador ou afasta-se dele, conforme o sentido de rotação do disco no ponto do bloqueio. Isto também pode levar à quebra dos discos de rebarbar. Um coice é a consequência de uma utilização incorrecta ou deficiente da ferramenta eléctrica. Este pode ser evitado através de precauções adequadas, como descrito a seguir.

- a) **Agarre bem a ferramenta eléctrica e coloque o seu corpo e os seus braços numa posição em que poderá absorver as forças do coice. Utilize sempre o punho adicional, caso exista, para ter o máximo controlo possível sobre as forças do coice ou os torques de reacção durante o arranque.** O operador pode dominar as forças do coice e de reacção através de precauções adequadas.
- b) **Nunca coloque a sua mão na proximidade de acessórios em movimento.** O acessório pode, em caso de coice, atravessar a sua mão.
- c) **Afaste o seu corpo da zona para onde a ferramenta eléctrica se move no caso de um coice.** O coice propuliona a ferramenta eléctrica no sentido oposto ao do movimento do disco de rebarbar no ponto do bloqueio.
- d) **Trabalhe com particular precaução perto de cantos, arestas vivas, etc. Evite que acessórios ressaltem da peça e encravem.** O acessório em movimento tem a tendência de se encravar em cantos,

arestas vivas ou quando ressalta, o que provoca uma perda de controlo ou coice.

- e) **Não utilize uma lâmina de serra estrelada ou dentada.** Acessórios deste tipo provocam frequentemente um coice ou a perda do controlo sobre a ferramenta eléctrica.

### 5.2.2 Normas de segurança específicas para trabalhos de rebarbar

- a) **Utilize exclusivamente os rebolos autorizados para a sua ferramenta eléctrica e o resguardo de disco previsto para estes rebolos.** Rebolos que não estão previstos para a ferramenta eléctrica não podem ser resguardados o suficiente e não são seguros.
- b) **O resguardo de disco tem de estar bem colocado na ferramenta eléctrica e ajustado de modo a se conseguir a máximo segurança, ou seja a parte mais pequena possível do rebolo aponta directamente para o operador.** O resguardo de disco deve proteger o operador de fragmentos e contacto accidental com o rebolo.
- c) **Rebolos só podem ser utilizados para as aplicações recomendadas. Por exemplo: nunca rebarbe com a superfície lateral de um disco de corte.** Discos de corte destinam-se à abrasão de material com o rebordo do disco. A aplicação lateral de força sobre estes rebolos pode parti-los.
- d) **Utilize sempre falanges de aperto não danificadas, com a dimensão e forma apropriadas para o disco de rebarbar por si escolhido.** Falanges adequadas apoiam o disco de rebarbar e reduzem assim o perigo de um quebra do disco. Falanges para discos de corte podem ser diferentes das para outros discos de rebarbar.
- e) **Não utilize discos de rebarbar gastos de ferramentas eléctricas maiores.** Discos de rebarbar para ferramentas eléctricas maiores não estão dimensionados para as velocidades mais elevadas de ferramentas

### 5.3 Normas de segurança adicionais

#### 5.3.1 Segurança física

- a) Preste atenção para não tropeçar no cabo de alimentação, na extensão de cabo ou na mangueira.
- b) O punho auxiliar deve estar colocado sempre que a ferramenta é utilizada.
- c) Mantenha os punhos secos, limpos e isentos de óleos e massas.
- d) A ferramenta só deve ser utilizada conduzida com ambas as mãos.
- e) **Faça pausas para relaxar os músculos e melhorar a circulação sanguínea nas mãos.**
- f) **Antes de cada utilização, mesmo após pausas, verifique que o acessório está fixo.**  
**-CUIDADO-**  
Existe risco de lesão devido ao acessório em movimento. **Por isso, utilize a ferramenta somente com o acessório virado para o material base.**
- g) Use grampos ou o torno para segurar peças soltas.

- h) Cuidado com cabos eléctricos, tubos de gás e de água enterrados. Verifique a área de trabalho com um detector de metais, por exemplo.
- i) Cuidado com cabos eléctricos, tubos de gás e de água enterrados. Verifique a área de trabalho com um detector de metais, por exemplo.
- j) Rebarbar materiais condutores pode provocar uma acumulação de pó condutor no interior da ferramenta, o que afectará negativamente o isolamento desta, podendo mesmo provocar choques eléctricos. Assim as ferramentas utilizadas para este fim, deverão ser regularmente (a cada 6 meses) verificadas por um especialista Hilti para garantir a integridade do isolamento e para prevenir a acumulação de substâncias condutoras.
- k) **-ATENÇÃO-** A ferramenta continua a funcionar durante, aproximadamente, 2 segundos, após ter sido desligada.
- l) **A ferramenta não está concebido para a utilização por crianças ou pessoas debilitadas sem formação.**
- m) **Deve ensinar-se às crianças que não podem brincar com a ferramenta.**



- n) Ao montar o acessório, preste atenção à seta indicadora do sentido de rotação.



- o) Se danificar o cabo enquanto trabalha, não lhe toque e desligue a máquina imediatamente.
- p) Para testar discos de corte e rebarbar novos, deixe a ferramenta trabalhar durante 30 segundos à velocidade máxima.
- q) **-AVISO-** Ao utilizar a rebarbadora DG 150 sob carga, não puxe a ficha da ligação de rede DPC20.
- r) **Quando existir a possibilidade de a ferramenta poder danificar o cabo de alimentação ou cabos eléctricos que se encontrem enterrados, segure a ferramenta pelas superfícies isoladas dos punhos.** Em caso de contacto com fios condutores de corrente, partes metálicas não isoladas da ferramenta são colocadas sob tensão, ficando o operador sujeito a receber choques eléctricos.



- s) A mó diamantada e a parte da carcaça onde se encontra o motor aquecem muito durante o funcionamento. Para evitar queimaduras, use sempre luvas de protecção.



- t) Ligue a ferramenta ao aspirador.

- u) Excepto se for dada qualquer outra indicação nas instruções sobre a utilização, as peças / equipamento de protecção danificados deverão ser reparados ou substituídos nos serviços de assistência técnica Hilti.
- v) Por razões de segurança, a ferramenta só deve ser utilizada com o resguardo montado e com luvas de protecção.
- w) Para ajustar o resguardo, desligue a máquina e desligue o cabo da corrente eléctrica.

Rebarbar provoca poeiras prejudiciais à saúde.

- x) Antes de iniciar os trabalhos informe-se sobre o tipo de pó produzido. Utilize a ferramenta em conjunto com um aspirador oficialmente aprovado e que esteja de acordo com as regras e regulamentos locais sobre protecção contra poeiras nocivas.
- y) O aspirador deverá estar equipado com um filtro adequado ao tipo de pó produzido.
- z) **AVISO: Alguns tipos de pó que são produzidos ao desbastar, rebarbar, cortar e furar, contêm agentes químicos conhecidos pelos seus efeitos cancerígenos e teratogénicos, que podem provocar esterilidade e danos permanentes das vias respiratórias ou outros.** Alguns desses agentes químicos são chumbo contido em tinta de chumbo, quartzo-cristalino proveniente de tijolos, betão, alvenaria ou pedras naturais, ou, também, arsénico e crómio provenientes de madeira de construção tratada quimicamente. A perigosidade para si varia, consoante a frequência com que efectua estes trabalhos. **Para minimizar a exposição a estes agentes químicos, os utilizadores e terceiros devem trabalhar num espaço bem ventilado, bem como usar equipamentos de segurança apropriados. Use uma máscara antipoeiras adequada para determinados pós, que possa filtrar partículas microscópicas e manter o pó afastado da face e do corpo. Evite o contacto permanente com pó. Use roupa de protecção e lave a área da pele afectada com água e sabão.** A absorção de pó através da boca, dos olhos ou o contacto permanente dos pós com a pele pode promover a absorção de agentes químicos com risco de efeitos graves para a saúde.



### 5.3.2 Equipamento de protecção pessoal

- a) **O utilizador e restantes pessoas que se encontrem na proximidade da ferramenta devem usar óculos de protecção adequados e aprovados em conformidade com a norma ANSI Z87.1, capacete de segurança, protecção auricular, luvas de protecção e máscara antipoeiras quando esta estiver em funcionamento.**
- b) Use joelheiras ao trabalhar no solo.



## 6. Antes de iniciar a utilização

Leia atentamente este Manual de Instruções.

-CUIDADO-	
	<ul style="list-style-type: none"> <li>■ A mó diamantada, bem como outras partes da máquina, aquecem demasiado durante a utilização.</li> <li>■ Estas partes podem provocar queimaduras.</li> <li>■ Use luvas de protecção quando substituir a mó ou ajustar o resguardo.</li> </ul>
	

### 6.1 Resguardo

**-AVIS-** A ferramenta só deve ser utilizada com o resguardo montado.

Um resguardo incompleto ou danificado deve ser imediatamente substituído.

#### 6.1.1 Ajustar o resguardo **1**

Para colocar o bocal da mangueira de extracção na posição desejada, basta rodar o resguardo.

Rodar o resguardo

1. Desligue a ferramenta.
2. Desligue o cabo da corrente.
3. Abra a alavanca de aperto.
4. Rode o resguardo

**-NOTA-** Mova o resguardo para baixo quando o bocal da mangueira fica em contacto com a alavanca aberta.


5. Feche a alavanca de aperto.

#### 6.1.2 Ajustar o resguardo à superfície de trabalho

1. Desligue a ferramenta.
  2. Desligue o cabo da corrente.
  3. Coloque a ferramenta sobre a mó diamantada
  4. Abra a alavanca de aperto.
  5. Rode o resguardo e ajuste a altura óptima
- NOTA-** Para otimizar a extracção do pó enquanto lixa, a vedação lamelar deve estar quase em contacto com a superfície de trabalho (intervalo 0–1mm).
6. Feche a alavanca de aperto.

#### 6.1.3 Ajustar o resguardo para trabalhar junto aos cantos

A abertura na parte inferior do resguardo pode ser rodada até que parte da mó esteja exposta. É uma vantagem, por exemplo, quando trabalha junto a uma parede.

	<b>-AVISO-</b>
	<ul style="list-style-type: none"> <li>■ O resguardo é colocado parcialmente aberto para trabalhar junto aos cantos.</li> <li>■ A mó em funcionamento representa um sério risco de acidente.</li> <li>■ Trabalhe com cuidado se o resguardo estiver parcialmente aberto e volte a fechá-lo assim que terminar o trabalho junto aos cantos.</li> </ul>

**-NOTA-** A extracção de pó não é tão eficaz com o resguardo aberto.

#### Ajustar o resguardo:

1. Desligue a ferramenta.
2. Desligue o cabo da corrente
3. Abra a alavanca de aperto.
4. Rode as secções inferior e superior do resguardo em direcções opostas até encontrar a posição mais conveniente.

5. Feche a alavanca de aperto.

**-NOTA-** O resguardo encaixa perfeitamente na posição normal – fechado.

**-NOTA-** Se o resguardo não está completamente fixo quando a alavanca é fechada, tensione a braçadeira, apertando o parafuso de aperto, no sentido dos ponteiros do relógio. Se o resguardo não pode ser movido quando a alavanca está aberta, abra a braçadeira, desapertando o parafuso.

### 6.2 Punho auxiliar **1**

#### 6.2.1. Utilização e ajuste do punho auxiliar

Por razões de segurança deve utilizar sempre a ferramenta com o punho auxiliar.

Pode ser ajustado em dois eixos, conforme a posição mais favorável:

1. Desligue a ferramenta
2. Desligue o cabo da corrente
3. Retire o punho auxiliar, desapertando o parafuso de aperto, no sentido inverso ao dos ponteiros do relógio.
4. Coloque o punho auxiliar na posição desejada.
5. Aperte o parafuso no sentido dos ponteiros do relógio.

### 6.3 Mó diamantada **2**

- Antes de qualquer manipulação da mó diamantada, desligue a ferramenta e desligue o cabo da corrente.
- Pressione o botão de bloqueio do veio (somente quando terminar a rotação).
- Quando substituir a mó diamantada, limpe todas as partes envolventes.
- Use apenas mós diamantadas Hilti.

#### 6.3.1 Ajustar a mó diamantada

1. Coloque a flange diamantada no veio, com os rebai-

xos em forma de "O" para baixo, garantindo que está firmemente encaixada. **15A**

2. Coloque a mó na gola central da flange de aperto. **15B**
3. Aperte a porca de aperto, no sentido dos ponteiros do relógio. Reforce o aperto com a chave de pinos.

#### 6.3.2 Remover a mó diamantada

1. Pressione o botão de bloqueio do veio e segure-o nesta posição.
2. Desaperte a porca de aperto, com a chave de pinos, rodando-a no sentido inverso ao dos ponteiros do relógio.
3. Liberte o botão de bloqueio do veio.
4. Retire a mó diamantada.

#### 6.3.3 Alterar a definição das rotações (r.p.m.)

A ferramenta permite duas definições de rotação.

##### Recomendação:

1ª definição = 4700 /min


Trabalhe nesta rotação quando rebarbar materiais minerais macios, tipo camadas de tinta sobre reboco de cimento. Nesta rotação a performance de extracção é superior e a ferramenta é mais facilmente manobrada.


2ª definição = 6600 /min

Trabalhe nesta rotação para rebarbar materiais minerais duros tipo betão, argamassa ou pedra, optimizando assim a performance da ferramenta.

## 7. Utilização

As instruções de segurança descritas neste Manual devem ser lidas e estritamente observadas.

	<b>-CUIDADO-</b>
	<ul style="list-style-type: none"> <li>■ Rebarbar pode provocar poeiras nocivas</li> <li>■ O pó produzido pode ser prejudicial aos olhos e aos pulmões.</li> <li>■ Utilize um sistema de extracção de poeiras, use capacete e óculos de protecção e máscara anti-poeiras</li> </ul>

	<b>-CUIDADO-</b>
	<ul style="list-style-type: none"> <li>■ A ferramenta e a acção de rebarbar produzem ruído.</li> <li>■ Ruído excessivo pode prejudicar o aparelho auditivo.</li> <li>■ Use protecção auricular</li> </ul>



## 7.1 Ligar a ferramenta

1. Ligue a mangueira ao aspirador.
2. Conecte o cabo entre a DG 150 e o DPC 20.
3. Ligue o DPC 20 à corrente eléctrica.
4. Levante a ferramenta da superfície de trabalho.
5. Coloque o interruptor na posição ON (I). O interruptor engrena na posição ON (I).

Após um corte de energia, a ferramenta pode ser reiniciada movendo o interruptor da posição OFF (O) para a posição ON (I)

## 7.2 Testar mós diamantadas novas

Deixe a ferramenta a funcionar por aproximadamente 30 segundos, sem carga. Não utilize mós que vibrem. Não sujeite a mó a qualquer tipo de impacto e mantenha-a limpas.

## 7.3 Rebarbar

● “Cuidado” A DG 150 deve ser sempre conduzida sobre ou próxima da superfície de trabalho, durante o teste, a utilização e até à paragem da mó diamantada.

● Nunca utilize a ferramenta sem o correspondente equipamento de protecção.

● Use apenas mós diamantadas DG-CW 150/6”

● Aplique uma pressão moderada, de acordo com o tipo de material que está a rebarbar. Não exerça força sobre a mó, contra a superfície a rebarbar.

● A mó diamantada pode aquecer e sofrer danos ao rebarbar materiais minerais particularmente duros, como, por exemplo, betão contendo elevada proporção de agregados duros. Neste caso, deve interromper imediatamente os trabalhos, permitindo que a mó arrefeça por algum tempo, mantendo a ferramenta a funcionar, sem carga.

● Um progresso cada vez mais lento indica que a mó perdeu capacidade de corte (segmentos com muito desgaste). Os segmentos podem ser afiados com uma placa de afiar ou com lixa.

## 7.4 Desligar a ferramenta

1. Pressione o interruptor ON/OFF. Quando libertado, o interruptor volta à posição OFF.
2. Desligue o cabo da corrente
3. Se está a utilizar um aspirador, desligue a mangueira que liga a ferramenta e o aspirador.

# 8. Conservação e manutenção

Desligue o cabo da corrente antes de manipular a DG 150 ou o DPC 20 (para fazer qualquer ajuste, manutenção, etc.).

As saídas de ar devem estar sempre limpas e desobstruídas. Não utilize objectos metálicos para efectuar esta limpeza.

Em condições extremas, ao rebarbar materiais minerais,

pode acumular-se pó condutor no interior da ferramenta, afectando negativamente o seu isolamento.

## -CUIDADO-

**Mantenha a ferramenta, particularmente as superfícies do punho, seca, limpa e isenta de óleos e massas. Não utilize produtos de limpeza que contenham silicone.**

A carcaça exterior da ferramenta é fabricada em plástico resistente a impactos. O punho é feito de uma borracha sintética.

As saídas de ar devem estar sempre limpas e desobstruídas! Limpe as saídas de ar cuidadosamente com uma escova seca. Evite a penetração de corpos estranhos no interior da ferramenta. Limpe regularmente o exterior da ferramenta com um pano ligeiramente húmido. Não utilize qualquer pulverizador, aparelho de jacto de vapor ou água corrente para limpar a ferramenta! A segurança eléctrica da ferramenta pode ficar comprometida.

## 8.1 Substituir a vedação lamelar do resguardo

Substitua a vedação lamelar do resguardo, no mínimo, de cada vez que substitui a mó.

-NOTA- A montagem / desmontagem das vedações torna-se mais fácil se rodar as peças do resguardo entre si.

### Desmontagem

1. Desligue a ferramenta, bem como o cabo da corrente, sempre que proceder a algum ajuste ou substituição de acessórios.
2. Use uma chave de parafusos para pressionar os três apoios do anel de retenção contra o interior do resguardo.
3. Remova a vedação lamelar grande do anel de retenção.
4. Retire a vedação lamelar pequena pressionando com uma chave de parafusos nas duas ranhuras do exterior do resguardo.

### Montagem

1. Limpe as ranhuras do resguardo para remover quaisquer partículas de pó.
2. Pressione a vedação lamelar pequena contra a guia do resguardo.
3. Coloque a vedação lamelar grande na ranhura do anel de retenção.
4. Pressione o anel de retenção com a vedação lamelar contra o resguardo até encaixar.

## 8.2 Reparações

A ferramenta foi fabricada e testada com grande cuidado. No entanto, caso detecte alguma avaria, deverá enviar a ferramenta para um centro de assistência Hilti.

Esta ferramenta só deve ser reparada por técnicos devidamente especializados.

## 9. Avarias possíveis

### 9.1 Luz avisadora (LED) da DG 150

Se a ferramenta sofrer um sobreaquecimento a luz piscará a vermelho. A luz manter-se-á a piscar enquanto durar o problema, independentemente da posição do interruptor. Quando esta situação ocorre, desligue a máquina e permita que esta arrefeça, até que a luz se apague.

### 9.2 Luz avisadora (LED) do DPC 20

Indicador de estado:

#### a) Luz verde contínua

Indica que o DPC 20 está apto a funcionar. Está ligado à corrente e não apresenta qualquer disfunção. Este é o estado normal.

#### b) Luz verde a piscar

Pode acontecer com as versões 100V e 120V quando estão em carga. Indica que a Voltagem é muito baixa. A DG 150 apresenta uma performance muito fraca.

#### c) Luz vermelha a piscar

Indica que o DPC 20 está a reagir a irregularidades na corrente eléctrica (por exemplo oscilações de corrente - ou muito baixa ou muito alta), ou a irregularidades de temperatura. A luz muda para verde quando o problema é solucionado. Se a luz vermelha permanecer a piscar, desligue a máquina da corrente, aguarde alguns segundos e volte a ligar. Os fusíveis de saída deverão ser inspeccionados se a luz não mudar para verde."

### Sem indicação

O DPC 20 não está a receber corrente. Tal pode dever-se ao fornecimento de corrente, ao cabo de alimentação, à extensão ou a qualquer avaria no DPC 20. Não é imediatamente possível detectar se é a luz avisadora que está avariada. Por este motivo, o DPC 20 e a DG 150 deverão ser verificados a intervalos regulares, num serviço de assistência técnica Hilti.

## 10. Reciclagem



Recicle os desperdícios

As ferramentas Hilti são, em grande parte, fabricadas com materiais recicláveis. Um pré-requisito para a reciclagem é que esses materiais sejam devidamente separados. A Hilti já iniciou em muitos países a recolha da sua ferramenta usada para fins de reaproveitamento. Para mais informações dirija-se ao serviço Hilti ou ao seu vendedor.

## 11. Garantia do fabricante sobre ferramentas

A Hilti garante que a ferramenta fornecida está isenta de quaisquer defeitos de material e de fabrico. Esta garantia é válida desde que a ferramenta seja utilizada e manuseada, limpa e revista de forma adequada e de acordo com o manual de instruções Hilti e desde que o sistema técnico seja mantido, isto é, sob reserva da utilização exclusiva na ferramenta de consumíveis, componentes e peças originais Hilti.

A garantia limita-se rigorosamente à reparação gratuita ou substituição das peças com defeito de fabrico durante todo o tempo de vida útil da ferramenta. A garantia não cobre peças sujeitas a um desgaste normal de uso.

**Estão excluídas desta garantia quaisquer outras situações susceptíveis de reclamação, salvo legislação nacional aplicável em contrário. Em caso algum será a Hilti responsável por danos indirectos, directos, acidentais ou pelas consequências daí resultantes, perdas ou despesas em relação ou devidas à utilização ou incapacidade de utilização da ferramenta, seja qual for a finalidade. A Hilti exclui em particular as garantias implícitas respeitantes à utilização ou aptidão para uma finalidade particular.**

Para toda a reparação ou substituição, enviar a ferramenta ou as peças para o seu centro de vendas Hilti, imediatamente após detecção do defeito.

Estas são todas e as únicas obrigações da Hilti no que se refere à garantia, as quais anulam todas as declarações, acordos orais ou escritos anteriores ou contemporâneos referentes à garantia.





**Hilti Corporation**

LI-9494 Schaan  
Tel.: +423 / 234 21 11  
Fax: +423 / 234 29 65  
[www.hilti.com](http://www.hilti.com)

