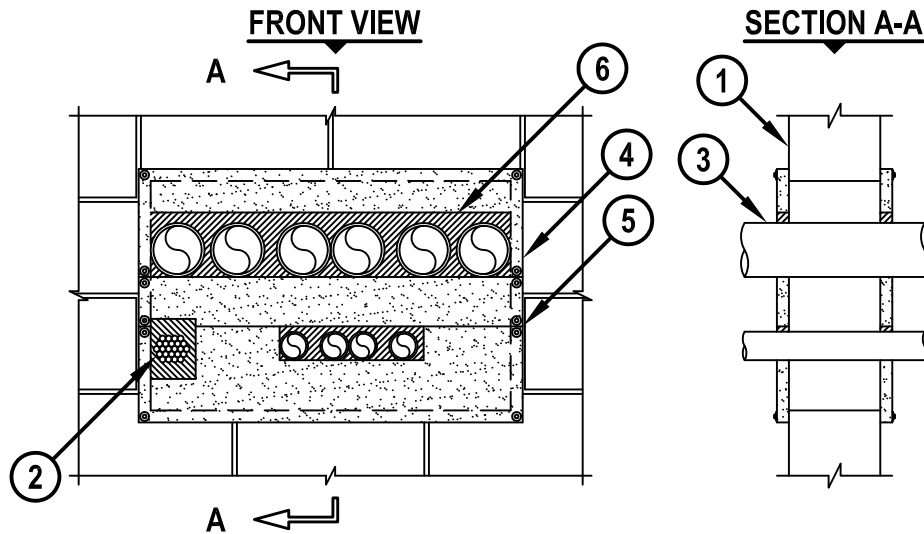


MULTIPLE PENETRANTS THROUGH CONCRETE WALL OR BLOCK WALL

F-RATING = 2-HR.
T-RATING = 0-HR.



WJ8034b.010915

1. CONCRETE WALL ASSEMBLY (2-HR. FIRE-RATING) :
 - A. LIGHTWEIGHT OR NORMAL WEIGHT CONCRETE WALL (MINIMUM 6" THICK).
 - B. ANY UL/cUL CLASSIFIED CONCRETE BLOCK WALL.
2. CABLE BUNDLE (MAXIMUM 4" DIAMETER) TO CONSIST OF ANY COMBINATION OF THE FOLLOWING :
 - A. MAXIMUM 7/C NO. 12 AWG POWER CABLE WITH PVC JACKET.
 - B. MAXIMUM 25 PAIR NO. 24 AWG TELEPHONE CABLE WITH PVC JACKET.
 - C. MAXIMUM RG 59 COAXIAL CABLE WITH PVC JACKET.
 - D. MAXIMUM 3/C NO. 8 AWG METAL-CLAD CABLE.
 - E. MAXIMUM 3/C (+GROUND) NO. 8 AWG COPPER CONDUCTOR CABLE (ROMEX).
 - F. MAXIMUM 5/8" FIBER OPTIC CABLE WITH PVC JACKET.
3. ONE OR MORE OF THE FOLLOWING PENETRANTS MAY BE INSTALLED WITHIN THE OPENINGS (MAXIMUM QUANTITY = 10) :
 - A. MAXIMUM 4" NOMINAL DIAMETER STEEL PIPE (SCHEDULE 10 OR HEAVIER), STEEL CONDUIT, OR EMT (MAXIMUM QUANTITY = 6).
 - B. MAXIMUM 2" NOM. DIAMETER STEEL PIPE (SCHEDULE 10 OR HEAVIER), STEEL CONDUIT, OR EMT.
4. HILTI CP 675T FIRESTOP BOARD CUT TO OVERLAP OPENING, MINIMUM 1" ON ALL SIDES.
5. WITH SEAMS TIGHTLY BUTTED, FASTEN HILTI CP 675T FIRESTOP BOARD TO FRAMING MATERIAL UTILIZING 3/16" x 2-1/4" LONG STEEL CONCRETE ANCHORS WITH 1-1/4" DIAMETER STEEL WASHERS AT EACH CORNER OF FIRESTOP BOARD AND MAXIMUM 8" C/C (ON BOTH SIDES OF WALL).
6. MINIMUM 1" DEPTH HILTI FS-ONE MAX OR FS-ONE INTUMESCENT FIRESTOP SEALANT APPLIED AROUND PENETRANTS (SEE NOTE NO. 3 BELOW).

NOTES : 1. MAXIMUM SIZE OF OPENING = 40" x 19".
 2. ANNULAR SPACE BETWEEN FIRESTOP BOARD AND PENETRANTS AND BETWEEN PENETRANTS = MINIMUM 0", MAXIMUM 1".
 3. AS AN ALTERNATE TO FS-ONE MAX OR FS-ONE, HILTI CP 618 FIRESTOP PUTTY STICK MAY BE APPLIED AROUND CABLES.

 Hilti Firestop Systems	HILTI, Inc. Tulsa, Oklahoma USA (800) 879-8000	Sheet 1 of 1 Scale 1/16" = 1" Date Jan. 09, 2015	Drawing No. WJ 8034b
	Saving Lives through Innovation and Education		