

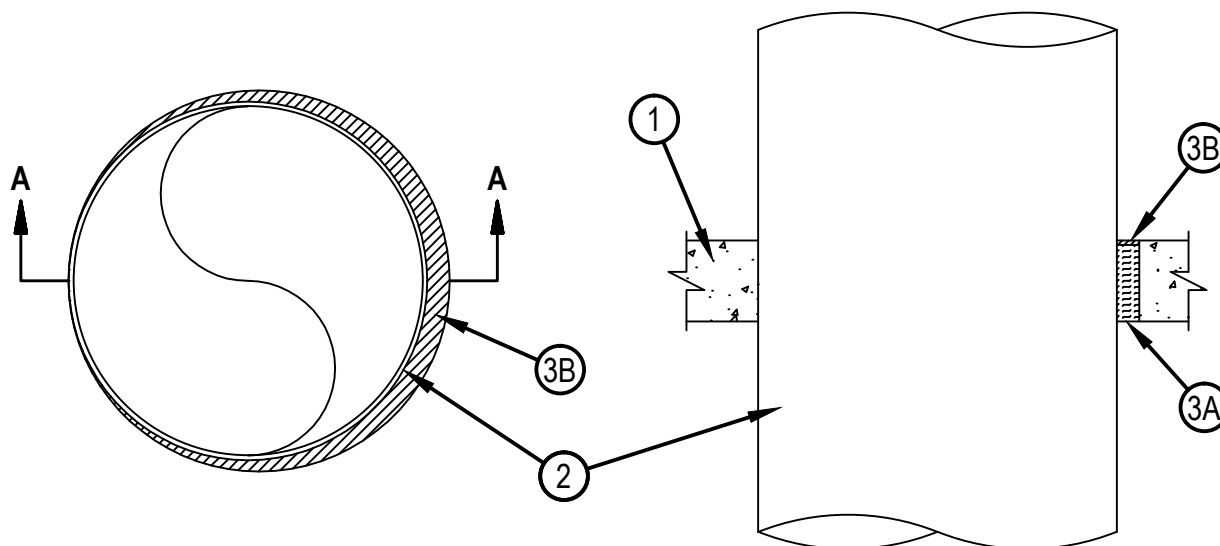


Classified by  
Underwriters Laboratories, Inc.  
to UL 1479 and CAN/ULC-S115

## System No. C-AJ-1425

ANSI/UL1479 (ASTM E814)	CAN/ULC S115
F Ratings — 3 Hr	F Ratings — 3 Hr
T Rating — 0 Hr	FT Rating — 0 Hr
L Rating at Ambient — Less Than 1 CFM/sq ft	FH Ratings — 3 Hr
L Rating at 400 F — Less Than 1 CFM/sq ft	FTH Rating — 0 Hr
W Rating - Class I	L Rating at Ambient — Less Than 1 CFM/sq ft
	L Rating at 400 F — Less Than 1 CFM/sq ft
	W Rating - Class I

CAJ 1425



### SECTION A-A

- Floor Assembly — Min 4-1/2 in. thick reinforced lightweight or normal weight (100-150 pcf) concrete. Max diameter of opening is 31-7/8 in.
- Through Penetrants — One metallic pipe, conduit or tubing to be installed concentrically or eccentrically within the firestop system. Pipe, conduit or tubing to be rigidly supported on both sides of floor assembly. The annular space between pipe, conduit or tubing and the periphery of the opening shall be min 0 in. (point contact) to max 1-7/8 in. The following types of pipe, conduit or tubing may be used:
  - Steel Pipe — Nom 30 in. diam (or smaller) Schedule 10 (or heavier) steel pipe.
  - Iron Pipe — Nom 30 in. diam (or smaller) cast or ductile iron pipe.
  - Conduit — Nom 6 in. diam (or smaller) rigid steel conduit.
  - Conduit — Nom 4 in. diam (or smaller) steel electrical metallic conduit.
  - Copper Tubing — Nom 6 in. diam (or smaller) Type L (or heavier) copper tubing.
  - Copper Pipe — Nom 6 in. diam (or smaller) Regular (or heavier) copper pipe.
- Firestop System — The firestop system shall consist of the following:
  - Packing Material — Min 4 in. thickness of 4 pcf mineral wool batt insulation tightly packed into the opening as a permanent form. Packing material to be recessed from top surface of floor or from both surfaces of wall as required to accommodate the required thickness of fill material.
  - Fill, Void or Cavity Materials\*-Sealant — Min 1/4 in. thickness of fill material applied within the annulus, flush with top surface of floor.  
HILTI CONSTRUCTION CHEMICALS, DIV OF HILTI INC — CP604 Self-Leveling Firestop Sealant (floors only), CFS-S SIL GG Sealant or CFS-S SIL SL Sealant (floors only).

\*Bearing the UL Classification Mark



**Hilti Firestop Systems**

Reproduced by HILTI, Inc. Courtesy of  
Underwriters Laboratories, Inc.

February 13, 2014