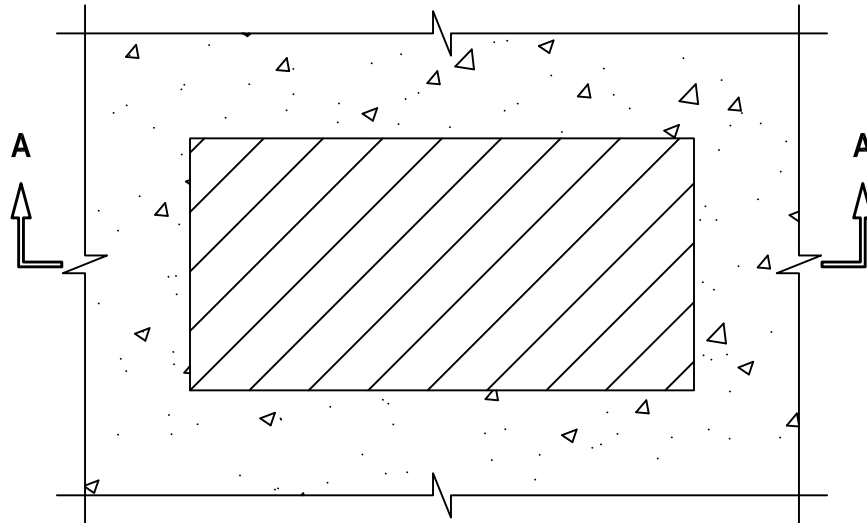


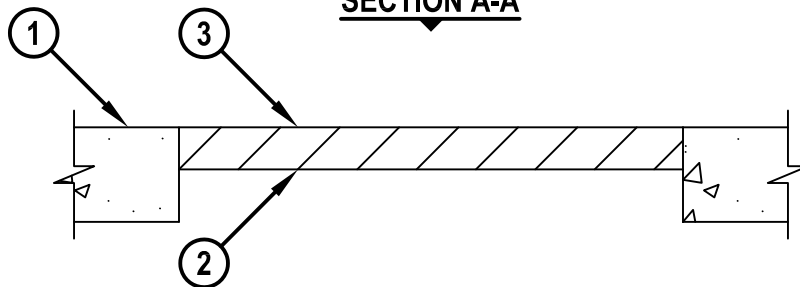
**BLANK OPENING IN CONCRETE FLOOR/WALL OR BLOCK WALL ASSEMBLY**

F-RATING = 3-HR.  
T-RATING = 2-HR.

**TOP VIEW**



**SECTION A-A**



1. CONCRETE FLOOR OR WALL ASSEMBLY (3-HR. FIRE-RATING) :
  - A. LIGHTWEIGHT OR NORMAL WEIGHT CONCRETE FLOOR OR WALL (MINIMUM 4-1/2" THICK).
  - B. ANY UL/cUL CLASSIFIED CONCRETE BLOCK WALL.
2. FORMING NOT SHOWN. USE A RIGID BOARD MATERIAL TO SUPPORT HILTI CP 637 FIRESTOP MORTAR DURING ITS INITIAL CURE.
3. MINIMUM 2" DEPTH HILTI CP 637 FIRESTOP MORTAR.

**NOTE : MAXIMUM AREA OF OPENING = 288 SQ. IN. WITH A MAX. DIM. OF 24".**

CAJ0082d.090618



HILTI, Inc.  
Plano, Texas USA (800) 879-8000

Sheet	1 of 1
Scale	7/64" = 1"
Date	Sep. 06, 2018

Drawing No.  
**CAJ  
0082d**