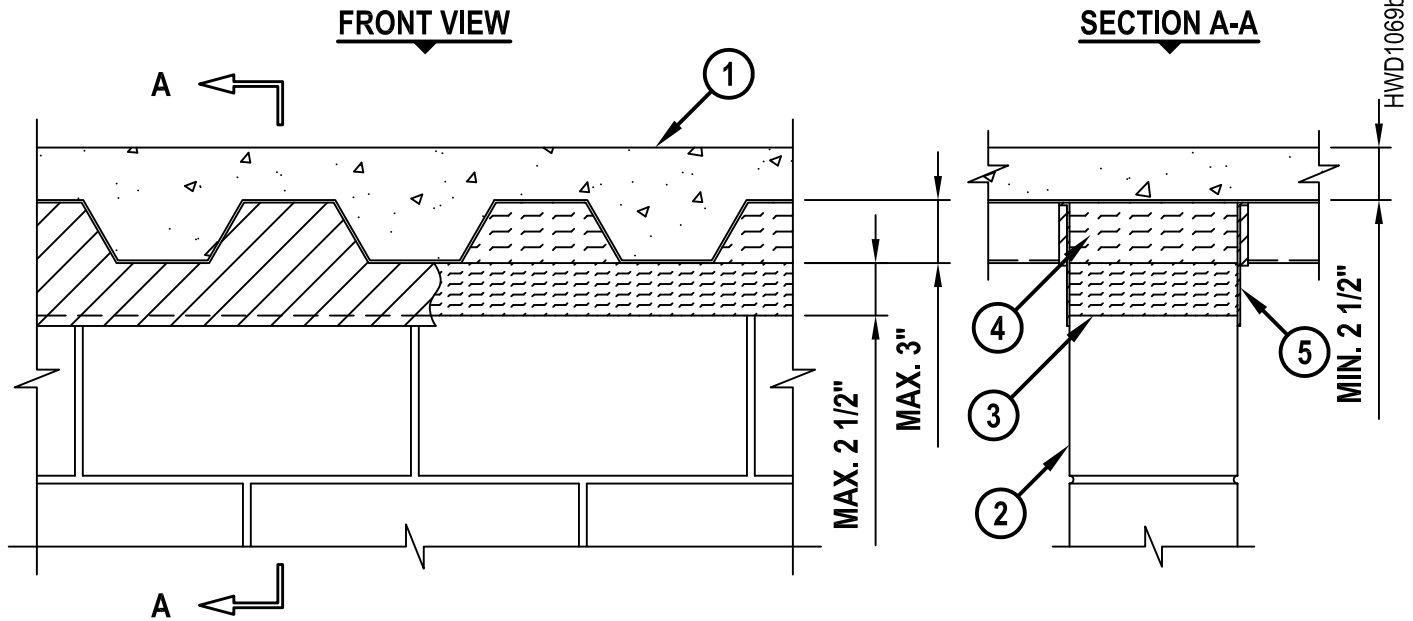


TOP OF WALL JOINT : CONCRETE WALL OR BLOCK WALL ASSEMBLY

ASSEMBLY RATING = 2-HR.

CLASS II MOVEMENT CAPABILITIES - 40% COMPRESSION OR EXTENSION



1. FLOOR OR ROOF ASSEMBLY (2-HR. FIRE-RATING) :
 - A. LIGHTWEIGHT OR NORMAL WEIGHT CONCRETE FLOOR (MIN. 2-1/2" THICK) OVER METAL DECKING (UL/cUL CLASSIFIED D900 SERIES).
 - B. INSULATING CONCRETE (MIN. 2-1/4" THICK) OVER METAL DECKING (UL/cUL CLASSIFIED P900 SERIES).
2. CONCRETE WALL ASSEMBLY CONSTRUCTED PERPENDICULAR OR PARALLEL TO FLUTES (PERPENDICULAR SHOWN) (2-HR. FIRE-RATING) :
 - A. LIGHTWEIGHT OR NORMAL WEIGHT CONCRETE WALL (MINIMUM 6" THICK).
 - B. ANY UL/cUL CLASSIFIED CONCRETE BLOCK WALL.
3. MINERAL WOOL (MINIMUM 4 PCF DENSITY) COMPRESSED 50% AND INSERTED INTO JOINT, FLUSH WITH BOTH SIDES OF WALL ASSEMBLY.
4. HILTI CP 777 SPEED PLUGS FRICTION FITTED TO COMPLETELY FILL FLUTE, FLUSH WITH BOTH SIDES OF WALL (WHEN PERPENDICULAR TO FLUTES) (SEE NOTE BELOW).
5. MINIMUM 1/8" (WET) THICKNESS HILTI CFS-SP WB FIRESTOP JOINT SPRAY OR HILTI CP 672 SPEED SPRAY TO COMPLETELY COVER MINERAL WOOL AND TO OVERLAP MINIMUM 1/2" ONTO CONCRETE WALL OR CONCRETE BLOCK WALL AND METAL DECK ON BOTH SIDES OF WALL ASSEMBLY.

NOTE : AS AN ALTERNATE TO HILTI CP 777 SPEED PLUGS, MINERAL WOOL (MIN. 4 PCF DENSITY) COMPRESSED 50% MAY BE USED.

 Hilti Firestop Systems	HILTI, Inc. Tulsa, Oklahoma USA (800) 879-8000	Sheet 1 of 1	Drawing No. HWD 1069b
		Scale 1/8" = 1"	
		Date May 25, 2010	
Saving Lives through Innovation and Education			