

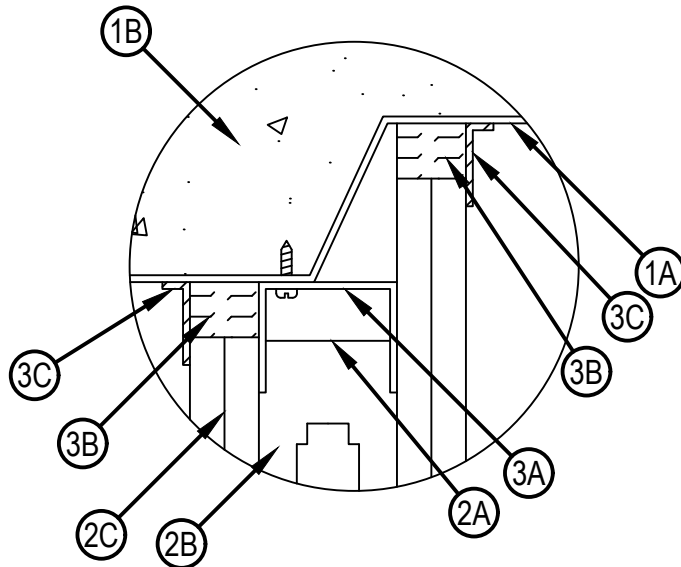
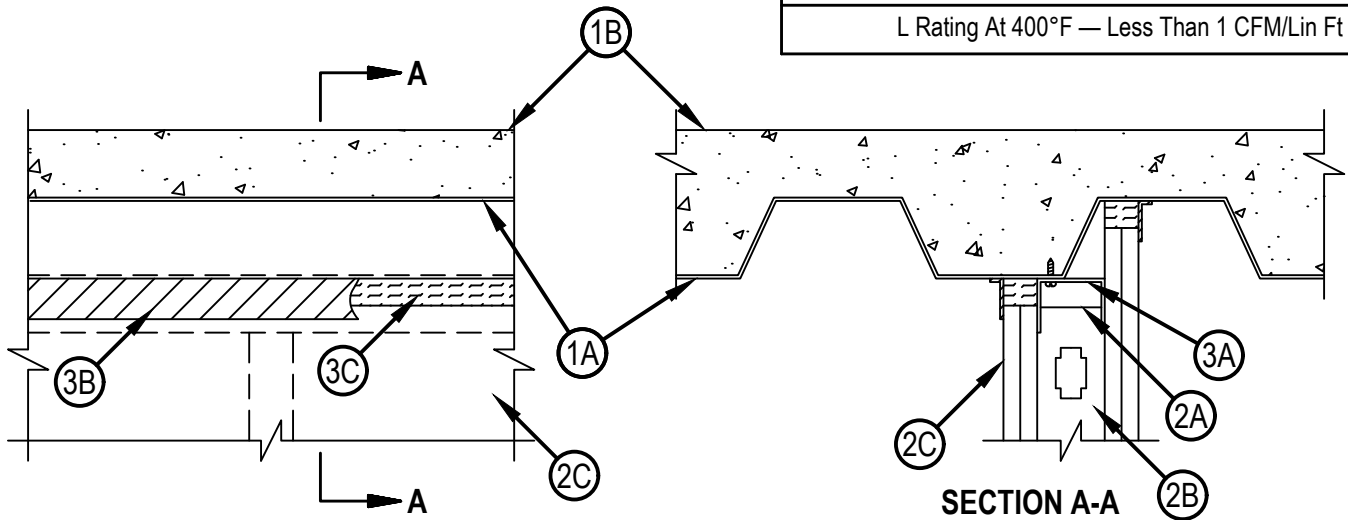


Classified by
Underwriters Laboratories, Inc.
to UL 2079 and CAN/ULC-S115

System No. HW-D-0687

HWD 0687

ANSI/UL2079	CAN/ULC S115
Assembly Ratings — 1 and 2 Hr (See Item 2)	F Ratings — 1 and 2 Hr (See Item 2)
Nominal Joint Width - 1-1/2 In.	FT Ratings — 1 and 2 Hr (See Item 2)
Class II Movement Capabilities — 50 % Compression or Extension	FH Ratings — 1 and 2 Hr (See Item 2)
L Rating At Ambient — Less Than 1 CFM/Lin Ft	FTH Ratings — 1 and 2 Hr (See Item 2)
L Rating At 400°F — Less Than 1 CFM/Lin Ft	Nominal Joint Width - 1-1/2 In.
	Class II Movement Capabilities — 50% Compression or Extension
	L Rating At Ambient — Less Than 1 CFM/Lin Ft
	L Rating At 400°F — Less Than 1 CFM/Lin Ft



Hilti Firestop Systems

Reproduced by HILTI, Inc. Courtesy of
Underwriters Laboratories, Inc.
October 20, 2015

System No. HW-D-0687

HW-D-0687

1. Floor Assembly — The fire-rated fluted steel deck/concrete floor assembly shall be constructed of the materials and in the manner described in the individual D700 or D900 Series Floor-Ceiling Design in the UL Fire Resistance Directory and shall include the following construction features:

- A. Steel Floor and Form Units* — Max 3 in. (76 mm) deep galv steel fluted floor units having a min valley width of 4-3/4 in. (121 mm).
- B. Concrete — Min 2-1/2 in. (64 mm) thick reinforced concrete, as measured from the top plane of the floor units.
- C. Spray-Applied Fire Resistive Materials* — (Optional) - (Not Shown)—Prior to or after the installation of the steel ceiling runners, Forming Material and Fill, Void or Cavity Material (Items 2A, 3B, 3B1,3C) the steel floor units may be sprayed with a min 5/16 in. (8 mm) to max 1-3/4 in. (44 mm) thickness of fire resistive material.
ISOLATEK INTERNATIONAL — Type 300
W R GRACE & CO - CONN — Types MK-6-HY or MK-10HB

1A. Roof Assembly — (Not Shown) — As an alternate to the floor assembly (Item 1), a fire rated fluted steel deck roof assembly may be used. The roof assembly shall be constructed of the materials and in the manner described in the individual P900 Series Roof-Ceiling Design in the UL Fire Resistance Directory. The hourly fire rating of the roof assembly shall be equal to or greater than the hourly fire rating of the wall assembly. The roof assembly shall include the following construction features:

- A. Steel Roof Deck — Max 3 in. (76 mm) deep galv steel fluted roof deck having a min valley width of 4-3/4 in. (121 mm).
- B. Roof Insulation — Min 2-1/4 in. (57 mm) thick poured insulating concrete, as measured from the top plane of the steel roof deck.
- C. Roof Covering* — Hot mopped or cold-application materials compatible with insulating concrete.

1B. Roof Assembly — As an alternate to Items 1 and 1A, a fire rated protected fluted steel deck roof assembly may be used. The roof assembly shall be constructed of the materials and in the manner described in the individual P700 Series Roof-Ceiling Design in the UL Fire Resistance Directory. The hourly rating of the roof assembly shall be equal to or greater than the hourly rating of the wall assembly. The roof assembly shall include the following construction features:

- A. Steel Roof Deck — Max 3 in. (76 mm) deep galv steel fluted roof deck.
- B. Spray—Applied Fire Resistive Materials* — (Not Shown)—Prior to or after the installation of the steel ceiling runners, Forming Material and Fill, Void or Cavity Material (Items 2A, 3B, 3B1, 3C), the roof assembly shall be sprayed with the type and thickness of fire resistive material indicated in the individual P700 Series design.
ISOLATEK INTERNATIONAL — Type 300
W R GRACE & CO - CONN — Types MK-6-HY or MK-10HB

2. Wall Assembly — The 1 or 2 hr fire-rated gypsum board/stud wall assembly shall be constructed of the materials and in the manner described in the individual U400, V400 or W400 Series Wall and Partition Design in the UL Fire Resistance Directory and shall include the following construction features:

- A. Steel Floor and Ceiling Runners — Floor and ceiling runners of wall assembly shall consist of min 25 ga galv steel channels sized to accommodate steel studs (Item 2B). Flange height of ceiling runner shall be min 1/4 in. (6 mm) greater than max extended joint width. Ceiling runner installed parallel to direction of fluted steel deck, positioned beneath valley, and secured with steel masonry anchors, steel fasteners or welds spaced max 24 in. (610 mm) OC. before or after optional spray-applied fire resistive material is used. The use of welds to secure the ceiling runner may only be used prior to the installation of the optional spray-applied material.. Ceiling runner not to cantilever more than 1-1/2 in. (38 mm) beyond edge of valley.

A1. Light Gauge Framing* — Slotted Ceiling Runner — As an alternate to the ceiling runner in Item 2A, slotted ceiling runner consisting of galv steel channel with slotted flanges sized to accommodate steel studs (Item 2B). Ceiling runner installed parallel with direction of fluted steel floor or roof deck and secured to valley with steel fasteners or welds spaced max 24 in. OC. Slotted ceiling runner not to cantilever more than 1-1/2 in. beyond edge of valley. When slotted ceiling runner is used, deflection channel (Item 3A) shall not be used.

BRADY CONSTRUCTION INNOVATIONS INC, DBA SLIPTRACK SYSTEMS — SLP-TRK
CALIFORNIA EXPANDED METAL PRODUCTS CO — CST
CLARKDIETRICH BUILDING SYSTEMS — Type SLT, SLT-H
MARINO/WARE, DIV OF WARE INDUSTRIES INC — Type SLT
SCAFCO STEEL STUD MANUFACTURING CO
STEELER INC — Steeler Slotted Ceiling Runner
TELLING INDUSTRIES L L C — True-Action Deflection Track



Hilti Firestop Systems

Reproduced by HILTI, Inc. Courtesy of
Underwriters Laboratories, Inc.
October 20, 2015

Page: 2 of 3

System No. HW-D-0687

HWD 0687

A2. Light Gauge Framing* - Vertical Deflection Ceiling Runner — As an alternate to the ceiling runners in Items 2A and 2A1, vertical deflection ceiling runner to consist of galv steel channel with slotted vertical deflection clips mechanically fastened within runner. Slotted clips, provided with step bushings, for permanent fastening of steel studs. Flanges sized to accommodate steel studs (Item 2C). Vertical deflection ceiling runner installed parallel to direction of fluted steel deck and secured with steel masonry anchors, steel fasteners or welds spaced max 24 in. (610 mm) OC. Vertical deflection ceiling runner not to cantilever more than 1-1/2 in. beyond edge of valley.

THE STEEL NETWORK INC — VertiTrack VTD362, VTD400, VTD600 and VTD800

B. Studs — Steel studs to be min 3-5/8 in. (92 mm) wide. Studs cut 5/8 to 1 in. (16 to 25 mm) less in length than assembly height with bottom nesting in and secured to floor runner. When deflection channel (Item 3A) is used, steel studs attached to ceiling runner (Item 2A) with sheet metal screws located 3/4 in. (19 mm) below the bottom of the deflection channel. When deflection channel is not used, studs to nest in ceiling runner without attachment. When slotted ceiling runner (Item 2A1) is used, steel studs secured to slotted ceiling runner with No. 8 by 1/2 in. (13 mm) long wafer head steel screws at midheight of slot on each side of wall. When vertical deflection ceiling runner (Item 2A2) is used, steel studs secured to slotted vertical deflection clips, through bushings, with steel screws at midheight of each slot. Stud spacing not to exceed 24 in. (610 mm) OC.

C. Gypsum Board* — Gypsum board sheets installed to a min total 5/8 or 1-1/4 in. (16 or 32 mm) thickness on each side of wall for 1 and 2 hr rated assemblies, respectively. Wall to be constructed as specified in the individual U400, V400 or W400 Series Design in the UL Fire Resistance Directory, except that a max 1-1/2 in. (38 mm) gap shall be maintained between the top of the gypsum board and the underside of the steel floor or roof deck. The screws attaching the gypsum board to the studs along the top of the wall shall be located 1 in. (25 mm) to 4 in. (102 mm) below the bottom of the ceiling runner. No gypsum board attachment screws shall be driven into the ceiling runner or into the optional deflection channel.

The hourly fire rating of the joint system is equal to the hourly fire rating of the wall.

3. Joint System — Max separation between floor or roof deck and top of gypsum board (at time of installation of joint system) is 1-1/2 in. (38 mm). The joint system is designed to accommodate a max 50 percent compression or extension from its installed width. The joint system shall consist of forming and fill materials, with or without a deflection channel (Item 3A), as follows:

A. Deflection Channel — Max 3 in. (76 mm) deep min 24 gauge galv steel channel sized to accommodate ceiling runner (Item 2A). Deflection channel installed parallel with direction of fluted steel floor units or roof deck and secured to valley with steel fasteners or welds spaced max 24 in. (610 mm) OC. Deflection channel not to cantilever more than 1-1/2 in. (38 mm) beyond edge of valley. The ceiling runner (Item 2A) is installed within the deflection channel to maintain a 5/8 to 1 in. (16 to 25 mm) gap between the top of the ceiling runner and the top of the deflection channel. The ceiling runner nests inside the deflection channel without attachment.

B. Forming Material* — Min 5/8 or 1-1/4 in. (16 or 32 mm) wide strips of nom 4 pcf (64 kg/m³) density mineral wool batt insulation for 1 or 2 hr rated assemblies, respectively. Strips of mineral wool compressed min 50 percent in thickness and installed cut edge first to fill the gap between the top of the gypsum board and the underside of the steel floor or roof deck. The forming material shall be installed flush with both surfaces of wall.

IIG MINWOOL L L C — MinWool-1200 Safing

JOHNS MANVILLE INTERNATIONAL INC — Safing

ROCK WOOL MANUFACTURING CO — Delta Board

ROXUL INC — Safe

THERMAFIBER INC — Type SAF

B1. Forming Material* - Strips — (Optional) - Nom 5/8 in. (16 mm) and 1-1/4 in. (32 mm) wide precut mineral wool strips for 1 and 2 hr rated assemblies respectively. The strips are compressed min 50 percent in thickness and firmly packed into the gap between the top of the gypsum board and bottom of the steel floor units on both sides of the wall.

HILTI CONSTRUCTION CHEMICALS, DIV OF HILTI INC — CP 767 Speed Strips

C. Fill, Void or Cavity Material* — Min 1/16 in. (1.6 mm) dry thickness (min 1/8 in. or 3.2 mm wet thickness) of fill material sprayed or troweled on each side of the wall to completely cover mineral wool forming material and to overlap a min of 1/2 in. (13 mm) onto gypsum board and steel deck on both sides of wall. When spray-applied fire resistive material is applied to the steel floor and form units, the fill material is to overlap the gypsum board a min of 1/2 in. (13 mm) and the spray-applied fire resistive material a min of 2 in. (51 mm) on both sides of wall. HILTI CONSTRUCTION CHEMICALS, DIV OF HILTI INC — CFS-SP WB Firestop Joint Spray

* Indicates such products shall bear the UL or cUL Certification Mark for jurisdictions employing the UL or cUL Certification (such as Canada), respectively.



Hilti Firestop Systems

Reproduced by HILTI, Inc. Courtesy of
Underwriters Laboratories, Inc.
October 20, 2015

Page: 3 of 3