



Classified by
Underwriters Laboratories, Inc.
to UL 1479

System No. F-A-2141

F Rating — 2 Hr

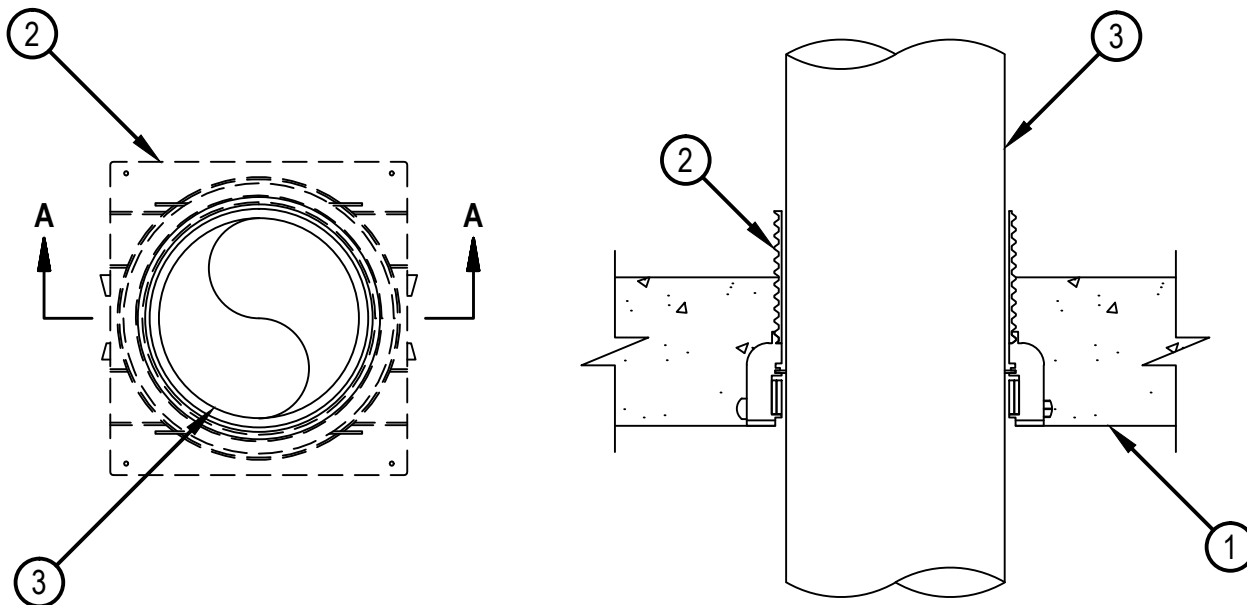
T Ratings — 0 and 2 Hr (See Item 2)

L Rating At Ambient — Less Than 1 CFM/sq ft (See Item 2)

L Rating At 400 F — Less Than 1 CFM/sq ft (See Item 2)

W Rating — Class 1 (See Items 2 and 4)

FA 2141



SECTION A-A



Hilti Firestop Systems

Reproduced by HILTI, Inc. Courtesy of
Underwriters Laboratories, Inc.
June 29, 2015

System No. F-A-2141

1. Floor Assembly — Min 4-1/2 in. (114 mm) thick reinforced lightweight or normal weight (100-150 pcf or 1600-2400 kg/m³) concrete.
- 1A. Floor Assembly - (Optional - Not Shown) — The fire rated unprotected concrete and steel floor assembly shall be constructed of the materials and in the manner specified in the individual D900 Series designs in the UL Fire Resistance Directory and as summarized below:
 - A. Concrete — Min 4-1/2 in. (114 mm) thick reinforced lightweight or normal weight (100-150 pcf or 1600-2400 kg/m³) concrete topping as measured over the top plane of the steel floor units.
 - B. Steel Floor and Form Units* — Composite or non-composite max 3 in. (76 mm) deep galv steel fluted units as specified in the individual Floor-Ceiling Design.
2. Through Penetrants — One nonmetallic pipe to be installed within the firestop system. Pipe to be rigidly supported on both sides of floor assembly. For W Rating with Water Barrier Module (Item 4), pipe shall be installed from bottom of device. The following types and sizes of nonmetallic pipes may be used:
 - A. Fire Retardant Polypropylene (FRPP) Pipe — Nom 2, 3, 4 or 6 in. (51, 76, 102 or 152 mm) diam Schedule 40 FRPP pipe for use in closed (process or supply) or vented (drain, waste or vent) piping systems. The T Rating is 0 Hr for FRPP pipe.
 - B. Polyvinylidene Fluoride (PVDF) Pipe — Nom 2 or 4 in. (51 or 102 mm) diam SDR 32.5 PVDF pipe for use in closed (process or supply) or vented (drain, waste or vent) piping system. The T Rating is 2 Hr for nom 2 in. diam PVDF pipe and 0 Hr for nom 4 in. diam PVDF pipe.
 - C. Polypropylene (PP) Pipe — Nom 4 in. (102 mm) diam Schedule 40 PP pipe for use in closed (process or supply) or vented (drain, waste or vent) piping systems. The T Rating is 0 Hr for PP pipe.
 - D. Acrylonitrile Butadiene Styrene (ABS) Pipe — Nom 2, 3 or 4 in. (51, 76 or 102 mm) diam Schedule 40 cellular or solid core pipe for use in closed (process or supply) or vented (drain, waste or vent) piping systems. The T Rating is 0 Hr for ABS pipe.

The firestop device and nonmetallic penetrant shall be sized as follows:

Nom Pipe Diameter	Firestop Device
2 in. (51 mm)	CP 680-75/2.5"N, CP 680-P 2", CP 680-PX 2"
3 in. (76 mm)	CP 680-P 3", CP 680-PX 3"
3 to 4 in. (76 and 102 mm)	CP 680-110/4"N, CP 680-P 4"
6 in. (152 mm)	CP 680-160/6"N, CP 680-P 6"

++ L Rating applies only to CP 680-P(X) devices. For L Rating, the nom diam of pipe shall equal size of device (2 in. diam pipe in 2" device etc.) L Rating does not apply to CP 680N devices.

3. Firestop Device — Cast in place firestop device permanently embedded during concrete placement or grouted in concrete assembly in accordance with accompanying installation instructions with a max 2 in. (51 mm) projection above the top surface of the concrete.
 HILTI CONSTRUCTION CHEMICALS, DIV OF HILTI INC — CP 680-75/2.5"N, CP 680-110/4"N, CP 680-160/6"N, CP 680-P 2", CP 680-P 3", CP 680-P 4", CP 680-P 6", CP 680-PX 2", CP 680-PX 3"
4. Firestop Device* - Water Barrier Module — (Optional, Not Shown) - Applies to nom 2", 3", 4" and 6" water barrier modules used in combination with the CP 680-P(X) 2", CP 680-P(X) 3", CP 680-P 4" and CP 680-P 6" devices, respectively, and supplied by device manufacturer. Module is threaded onto top of device. W Rating applies only when water barrier module is used and nom diam of penetrant equals size of device.
 HILTI CONSTRUCTION CHEMICALS, DIV OF HILTI INC — Water Barrier Module
- 4A. Firestop Device* — (Optional. Not shown) - Alternate to Water Barrier Module (Item 4). Top Seal Plug for use with CP 680-P(X) 2" device installed in accordance with the manufacturer's instructions. W Rating applies only to the IPS Top Seal Plug with nom 2 in. (51 mm) diam penetrants and CPS Top Seal Plug for nom ½ in. (13 mm) to 2 in. (51 mm) diam penetrants.
 HILTI CONSTRUCTION CHEMICALS, DIV OF HILTI INC — CPS and IPS Top Seal Plugs

* Indicates such products shall bear the UL or cUL Certification Mark for jurisdictions employing the UL or cUL Certification (such as Canada), respectively.

