

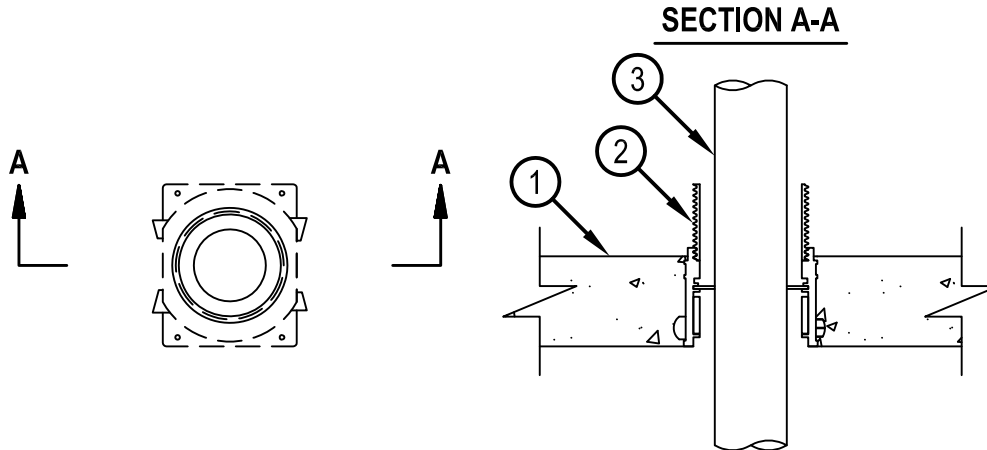


Classified by  
Underwriters Laboratories, Inc.  
to UL 1479 and CAN/ULC-S115

## System No. F-A-3034

F Rating — 3 Hr  
T Rating — 1/2 Hr

FA 3034



1. Floor Assembly — Min 2-1/2 in. (64 mm) thick reinforced lightweight or normal weight (100-150 pcf or 1600-2400 kg/m<sup>3</sup>) concrete.
- 1A. Floor Assembly - (Optional - Not Shown) — The fire rated unprotected concrete and steel floor assembly shall be constructed of the materials and in the manner specified in the individual D900 Series designs in the UL Fire Resistance Directory and as summarized below:
  - A. Concrete — Min 2-1/2 in (64 mm) thick reinforced lightweight or normal weight (100-150 pcf or 1600-2400 kg/m<sup>3</sup>) concrete.
  - B. Steel Floor and Form Units\* — Composite or non-composite max 3 in. (76 mm) deep galv steel fluted units as specified in the individual Floor-Ceiling Design.
2. Firestop Device\* — Cast in place firestop device permanently embedded during concrete placement in accordance with accompanying installation instructions.  
HILTI CONSTRUCTION CHEMICALS, DIV OF HILTI INC — CP 680-75/2.5"N, CP682-72/2.5", CP 680-M 2", CP 680-P 2", CP 680-PX 2"
3. Cable — One nom 4/C, 500 kcmil copper conductor PVC jacketed aluminum clad or steel clad TEK cable installed concentrically within device. Cable to be rigidly supported on both sides of floor assembly.

\* Indicates such products shall bear the UL or cUL Certification Mark for jurisdictions employing the UL or cUL Certification (such as Canada), respectively.



**Hilti Firestop Systems**

Reproduced by HILTI, Inc. Courtesy of  
Underwriters Laboratories, Inc.  
June 29, 2015