

UL SYSTEM NO. W-L-2546

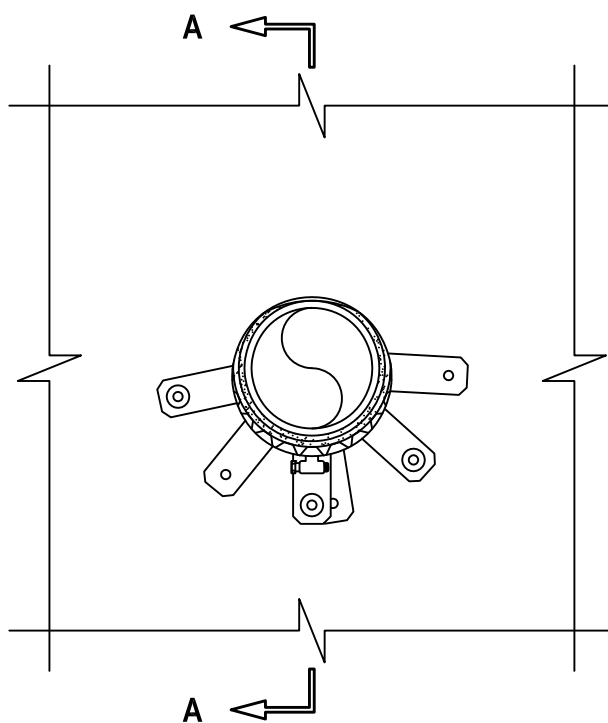
FGG/ =BM= /CZ™
SYSTEM COMPATIBLE

PLASTIC PIPE THROUGH GYPSUM WALL ASSEMBLY

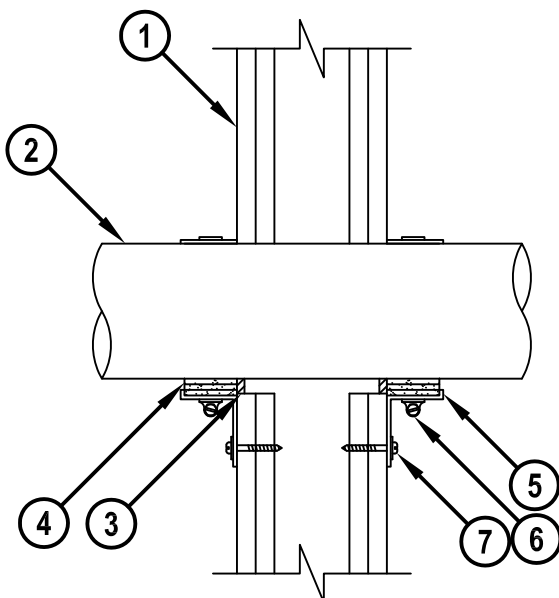
F-RATING = 1-HR. OR 2-HR.

T-RATING = 1-HR. OR 2-HR.

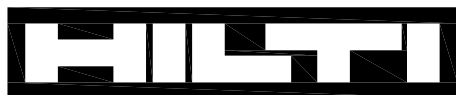
FRONT VIEW



SECTION A-A



WL2546b.011415



Hilti Firestop Systems

HILTI, Inc.
Tulsa, Oklahoma USA (800) 879-8000

Sheet 1 of 2

Scale 5/32" = 1"

Date Jan. 14, 2015

Drawing No.

**WL
2546b**

Saving Lives through Innovation and Education

PLASTIC PIPE THROUGH GYPSUM WALL ASSEMBLY

F-RATING = 1-HR. OR 2-HR.

T-RATING = 1-HR. OR 2-HR.

WL2546b.011415

1. GYPSUM WALL ASSEMBLY (UL CLASSIFIED U300, U400, OR V400 SERIES) (1-HR. OR 2-HR. FIRE-RATING) (2-HR. SHOWN) TO INCLUDE THE FOLLOWING CONSTRUCTION FEATURES :
 - A. [NOT SHOWN] WOOD STUDS TO CONSIST OF NOMINAL 2" x 4" LUMBER (SPACED MAXIMUM 16" OC). STEEL STUDS TO BE MINIMUM 3-1/2" WIDE (SPACED MAXIMUM 24" OC).
 - B. NOMINAL 5/8" THICK GYPSUM WALLBOARD. TYPE, NUMBER OF LAYERS, AND SHEET ORIENTATION AS SPECIFIED IN THE INDIVIDUAL UL DESIGN.
2. PENETRATING ITEM TO BE ONE OF THE FOLLOWING :
 - A. MAXIMUM 4" NOMINAL DIAMETER PVC PLASTIC PIPE (CELLULAR OR SOLID CORE).
 - B. MAXIMUM 4" NOMINAL DIAMETER CPVC PLASTIC PIPE (CLOSED PIPING SYSTEM).
 - C. MAXIMUM 2" NOMINAL DIAMETER FLOWGUARD GOLD CPVC PLASTIC PIPE (SDR 11) (CLOSED PIPING SYSTEM).
 - D. MAXIMUM 2" NOMINAL DIAMETER BLAZEMASTER CPVC PLASTIC PIPE (SDR 13.5) (CLOSED PIPING SYSTEM).
 - E. MAXIMUM 4" NOMINAL DIAMETER ABS PLASTIC PIPE (CELLULAR OR SOLID CORE).
 - F. MAXIMUM 2" NOMINAL DIAMETER PVC CONDUIT.
3. MINIMUM 1/4" DEPTH HILTI FS-ONE MAX OR FS-ONE INTUMESCENT FIRESTOP SEALANT.
4. HILTI CP 648E WRAP STRIP (NOMINAL 3/16" THICK x 1-3/4" WIDE) TO BE INDIVIDUALLY WRAPPED AROUND THE PIPE TO THE FULLEST EXTENT POSSIBLE WHILE ALLOWING THE PENETRANT TO REMAIN AT POINT OF CONTACT WITH THE OPENING AND IN THE COLLAR (SEE TABLE BELOW).
5. HILTI 1-3/4" RETAINING COLLAR OVERLAPPING MINIMUM 1".
6. NOMINAL 1/2" WIDE STAINLESS STEEL HOSE CLAMP(S) FASTENED AT MID-HEIGHT OF RETAINING COLLAR (SEE NOTE NO. 4 BELOW).
7. EVERY OTHER TAB OF RETAINING COLLAR SECURED TO WALL ASSEMBLY WITH 1-1/2" LONG DRYWALL OR LAMINATE DRYWALL SCREWS IN CONJUNCTION WITH 3/4" DIAMETER STEEL WASHERS. NO ANCHOR TAB IS REQUIRED AT POINT OF CONTACT LOCATION OF COLLAR TO PENETRANT.

NOMINAL PIPE DIAMETER	NO. OF LAYERS OF CP 648E
2" AND SMALLER	2
2-1/2" TO 4"	3

NOTES : 1. MAXIMUM DIAMETER OF OPENING = 5".
 2. ANNULAR SPACE = MINIMUM 0", MAXIMUM 1/2".
 3. CLOSED OR VENTED PIPING SYSTEM (PVC, ABS = SCH 40; CPVC = SDR 13.5).
 4. AS AN ALTERNATE TO COLLAR CLAMP (ITEM NO. 6 ABOVE) COLLAR MAY BE SECURED TOGETHER WITH TWO SHEET METAL SCREWS THROUGH THE OVERLAPPING PORTION OF THE COLLAR.



Hilti Firestop Systems

HILTI, Inc.
Tulsa, Oklahoma USA (800) 879-8000

Sheet	2 of 2
Scale	-
Date	Jan. 14, 2015

Drawing No.

**WL
2546b**