

**METAL PIPE THROUGH GYPSUM WALL ASSEMBLY**

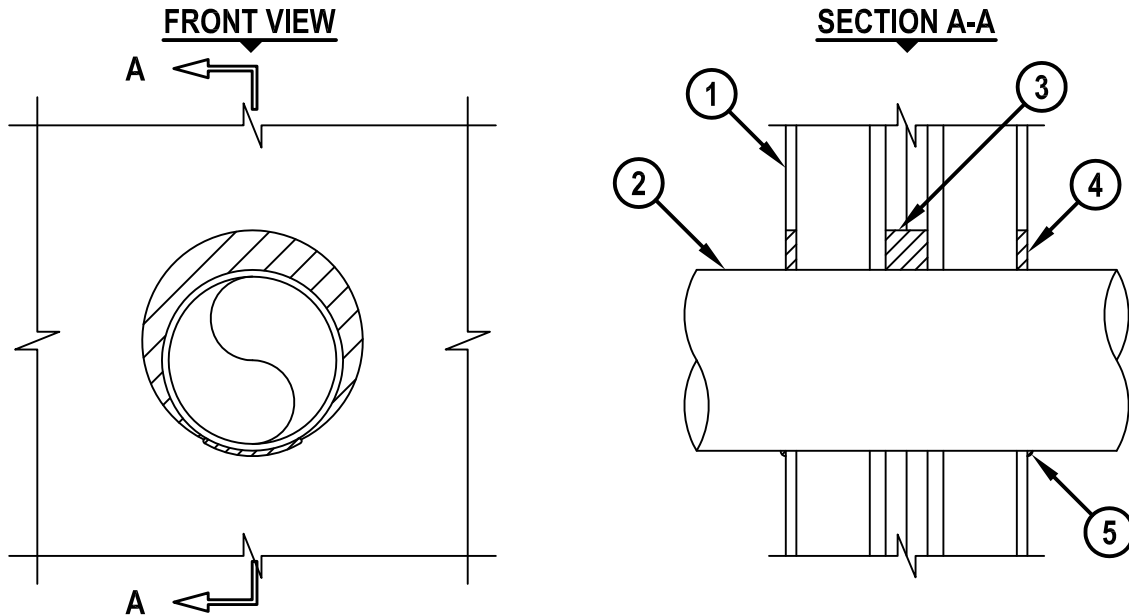
F-RATING = 2-HR.

T-RATING = 0-HR.

L-RATING AT AMBIENT = LESS THAN 1 CFM / SQ FT

L-RATING AT 400°F = LESS THAN 4 CFM / SQ FT

WL 1406c.012415



**1. GYPSUM WALL ASSEMBLY (UL/cUL CLASSIFIED U300 SERIES) (2-HR. FIRE-RATING) CONSISTING OF THE FOLLOWING :**

- A. NOMINAL 2 x 4 STUDS SPACED MAXIMUM 24" OC.
- B. STEEL "H" SHAPED STUDS SPACED MAXIMUM 24" OC.
- C. TWO LAYERS 1" GYPSUM WALLBOARD LINER PANELS.
- D. MINIMUM 1/2" THICK GYPSUM WALLBOARD.

**2. PENETRATING ITEM TO BE ONE OF THE FOLLOWING :**

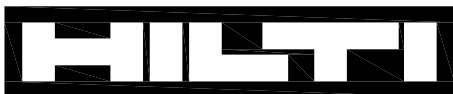
- A. MAXIMUM 8" NOMINAL DIAMETER STEEL PIPE (SCHEDULE 5 OR HEAVIER).
- B. MAXIMUM 8" NOMINAL DIAMETER CAST OR DUCTILE IRON PIPE.
- C. MAXIMUM 4" NOMINAL DIAMETER COPPER PIPE OR TUBING.
- D. MAXIMUM 6" NOMINAL DIAMETER STEEL CONDUIT.
- E. MAXIMUM 4" NOMINAL DIAMETER EMT.

**3. MINIMUM 2" DEPTH HILTI FS-ONE MAX OR FS-ONE INTUMESCENT FIRESTOP SEALANT APPLIED WITHIN GYPSUM WALLBOARD LINER PANELS.**

**4. MINIMUM 1/2" DEPTH HILTI FS-ONE MAX OR FS-ONE INTUMESCENT FIRESTOP SEALANT APPLIED FLUSH WITH OUTER SURFACES OF GYPSUM WALLBOARD.**

**5. MINIMUM 1/4" BEAD HILTI FS-ONE MAX OR FS-ONE INTUMESCENT FIRESTOP SEALANT APPLIED AT POINT OF CONTACT AT OUTER SURFACE OF GYPSUM WALLBOARD.**

**NOTES : 1. MAXIMUM DIAMETER OF OPENING = 10-1/2".  
2. ANNULAR SPACE = MINIMUM 0", MAXIMUM 1-7/8".**



**Hilti Firestop Systems**

HILTI, Inc.  
Tulsa, Oklahoma USA (800) 879-8000

Sheet	1 of 1
Scale	7/64" = 1"
Date	Jan. 24, 2015

Drawing No.

**WL  
1406c**