

PLASTIC PIPE THROUGH CONCRETE FLOOR/WALL OR BLOCK WALL

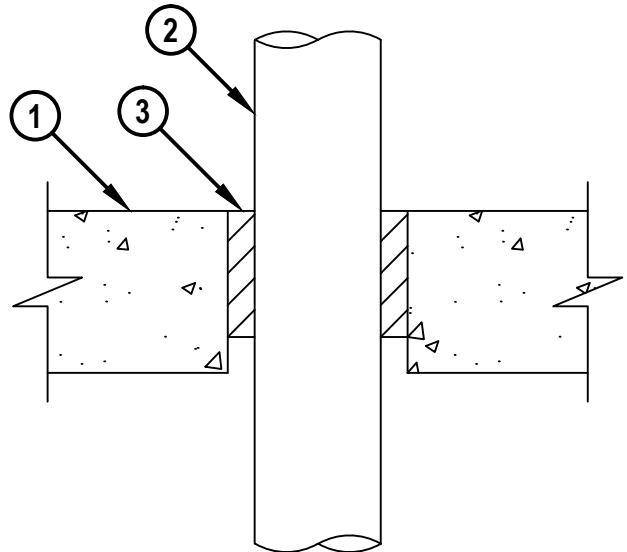
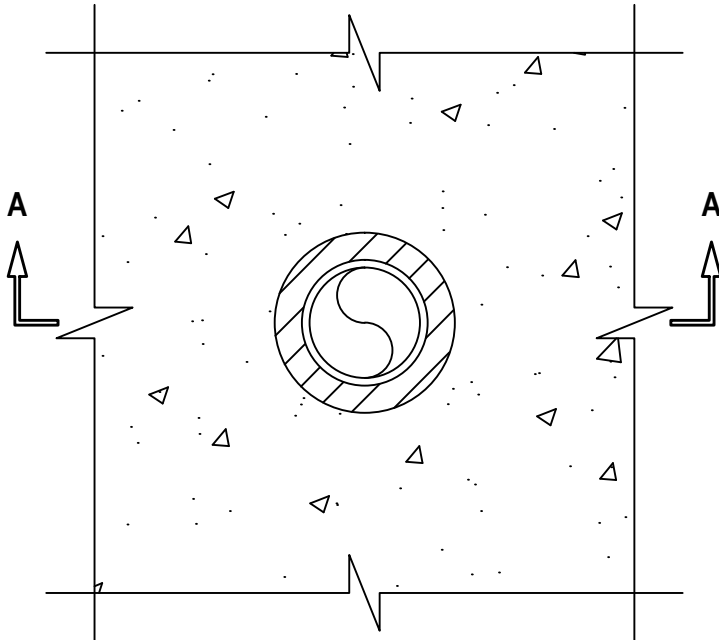
F-RATING = 2-HR.

T-RATING = 0-HR.

NOTE : TESTED TO A 2.5 Pa PRESSURE DIFFERENTIAL

TOP VIEW

SECTION A-A



CAJ2218e.013018

1. CONCRETE FLOOR OR WALL ASSEMBLY (2-HR. FIRE-RATING) :
 - A. LIGHTWEIGHT OR NORMAL WEIGHT CONCRETE FLOOR (MINIMUM 4-1/2" THICK).
 - B. LIGHTWEIGHT OR NORMAL WEIGHT CONCRETE WALL (MINIMUM 7" THICK).
 - C. ANY UL CLASSIFIED CONCRETE BLOCK WALL.
2. MAXIMUM 3" NOMINAL DIAMETER PVC (SCHEDULE 40, SOLID CORE) OR CPVC (SDR 17) PLASTIC PIPE (CLOSED OR VENTED PIPING SYSTEM).
3. MINIMUM 3-1/2" DEPTH HILTI FS-ONE MAX INTUMESCENT FIRESTOP SEALANT.

NOTES : 1. MAXIMUM DIAMETER OF OPENING = 5".
 2. ANNULAR SPACE = MINIMUM 1/2", MAXIMUM 1".
 3. MINIMUM 3-1/2" DEPTH HILTI FS-ONE MAX INTUMESCENT FIRESTOP SEALANT IS REQUIRED ON BOTH SIDES OF A WALL.



HILTI, Inc.
 Plano, Texas USA (800) 879-8000

Sheet	1 of 1
Scale	13/64" = 1"
Date	Jan. 30, 2018

Drawing No.

**CAJ
2218e**