

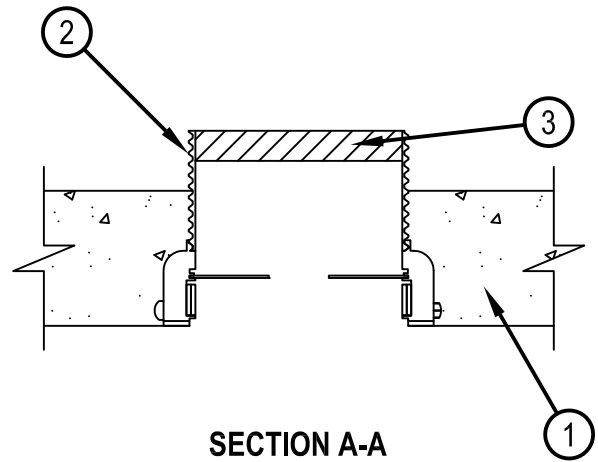
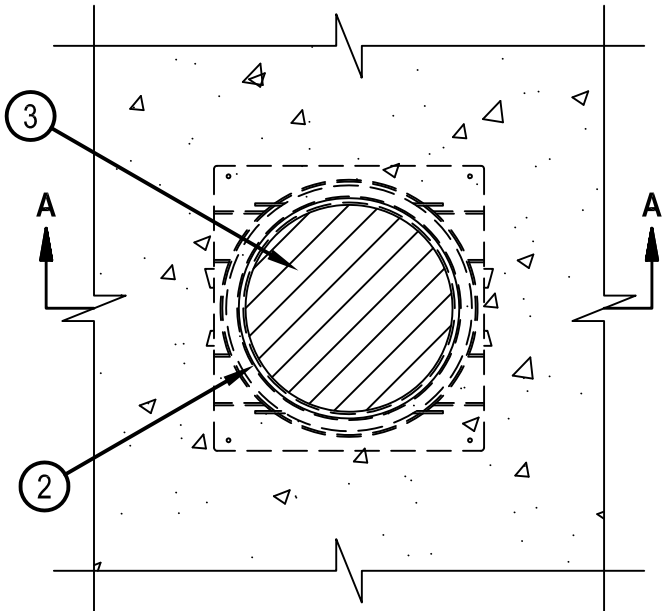


Classified by
Underwriters Laboratories, Inc.
to UL 1479 and CAN/ULC-S115

System No. F-A-0006

FA 0006

ANSI/UL1479 (ASTM E814)	CAN/ULC S115
F Rating — 3 Hr	F Rating — 3 Hr
T Rating — 2-1/2 and 3 Hr (See Item 2)	FT Rating — 2-1/2 and 3 Hr (See Item 2)
	FH Rating — 3 Hr
	FTH Rating — 2-1/2 and 3 Hr (See Item 2)



1. Floor Assembly — Min 4-1/2 in. (114 mm) thick reinforced lightweight or normal weight (100-150 pcf or 1600-2400 kg/m³) concrete.
- 1A. Floor Assembly — The fire rated unprotected concrete and steel floor assembly shall be constructed of the materials and in the manner specified in the individual D900 Series designs in the UL Fire Resistance Directory and as summarized below:
 - A. Concrete — Min 4-1/2 in. (114 mm) thick reinforced lightweight or normal weight (100-150 pcf or 1600-2400 kg/m³) concrete.
 - B. Steel Floor and Form Units* — Composite or non-composite max 3 in. (76 mm) deep galv steel fluted units as specified in the individual Floor-Ceiling Design.
2. Firestop Device* — Cast in place firestop device permanently embedded during concrete placement or grouted in concrete assembly in accordance with accompanying installation instructions with a max 2 in. (51 mm) projection above the top surface of the concrete. When CP618 Firestop Putty Stick is used with the 2, 2.5 or 4 in. devices, the hourly T, FT and FTH Rating is 3 Hr. When the 6 in. device is used, the hourly T, FT, FTH Rating is 2-1/2 Hr. When mineral wool insulation is used within the firestop devices, the hourly T, FT, FTH Rating is 0 Hr for 4 and 6 in. devices and 3 hr for 2, 2.5 and 3 in. devices.
HILTI CONSTRUCTION CHEMICALS, DIV OF HILTI INC — CP 680-75/2.5"N, CP 680-110/4"N, CP 680-160/6"N, CP 680-P 2", CP 680-P 3", CP 680-P 4", CP 680-P 6", CP 680-PX 2", CP 680-PX 3"
3. Fill, Void or Cavity Material* - Putty — Min 1 in. (25 mm) thickness of fill material applied within annulus flush with top surface of device.
HILTI CONSTRUCTION CHEMICALS, DIV OF HILTI INC — CP 618 Firestop Putty Stick
- 3A. Packing Material (Not Shown) — As an alternate to item 3, min 4 in. (102 mm) thickness of min 4 pcf (64 kg/m³) mineral wool insulation firmly packed to the fullest extent possible within annulus flush with top surface of device.

* Indicates such products shall bear the UL or cUL Certification Mark for jurisdictions employing the UL or cUL Certification (such as Canada), respectively.



Hilti Firestop Systems

Reproduced by HILTI, Inc. Courtesy of
Underwriters Laboratories, Inc.
June 29, 2015