

UL/cUL SYSTEM NO. C-AJ-1149

METAL PIPE THROUGH CONCRETE FLOOR/WALL OR BLOCK WALL ASSEMBLY

F-RATING = 2-HR.

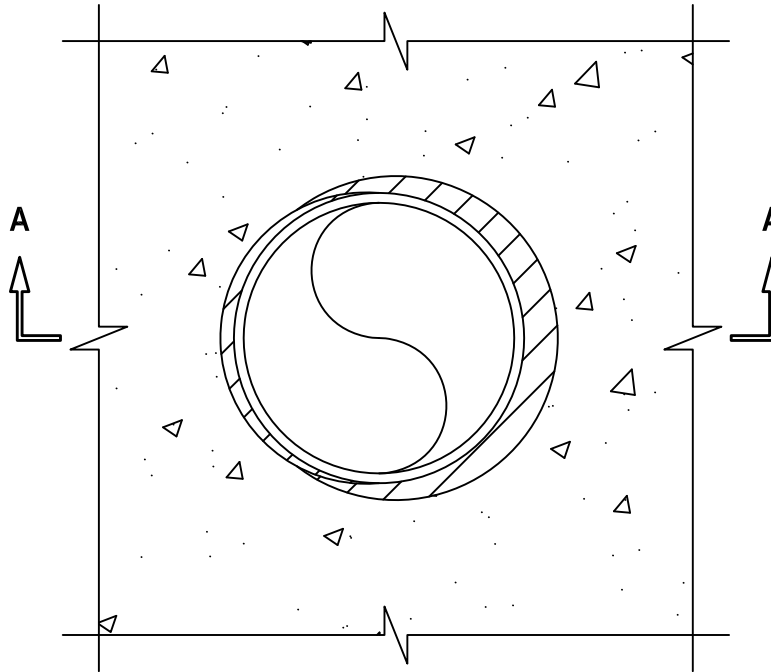
T-RATING = 0-HR.

L-RATING AT AMBIENT = LESS THAN 1 CFM / SQ FT

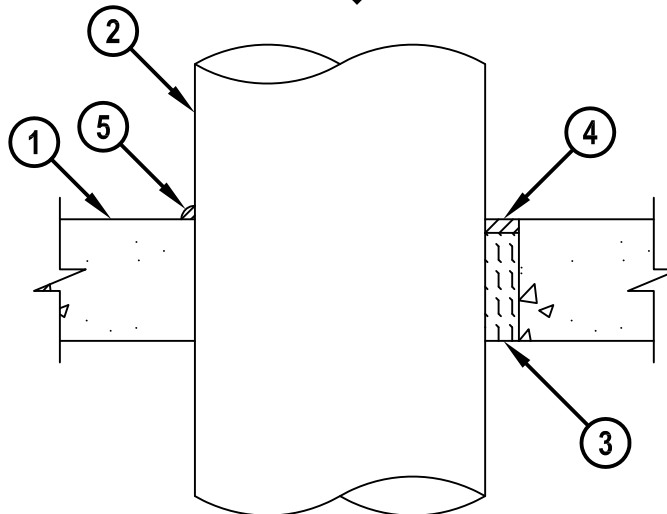
L-RATING AT 400° F = 4 CFM / SQ FT

W-RATING = CLASS I (SEE NOTE NO. 4 BELOW)

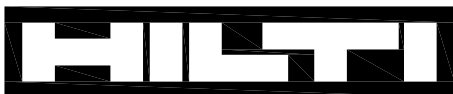
TOP VIEW



SECTION A-A



CAJ1149s.041316



Hilti Firestop Systems

HILTI, Inc.
Plano, Texas USA (800) 879-8000

Sheet 1 of 2

Scale 9/64" = 1"

Date Apr. 13, 2016

Drawing No.

CAJ
1149s

Saving Lives through Innovation and Education

METAL PIPE THROUGH CONCRETE FLOOR/WALL OR BLOCK WALL ASSEMBLY

F-RATING = 2-HR.

T-RATING = 0-HR.

L-RATING AT AMBIENT = LESS THAN 1 CFM / SQ FT

L-RATING AT 400° F = 4 CFM / SQ FT

W-RATING = CLASS I (SEE NOTE NO. 4 BELOW)

CAJ1149s.041316

1. CONCRETE FLOOR OR WALL ASSEMBLY (2-HR. FIRE-RATING) :
 - A. ANY LIGHTWEIGHT OR NORMAL WEIGHT CONCRETE FLOOR OR WALL (MINIMUM 4-1/2" THICK).
 - B. ANY UL/cUL CLASSIFIED CONCRETE BLOCK WALL.
2. PENETRATING ITEM TO BE ONE OF THE FOLLOWING:
 - A. MAXIMUM 10" NOMINAL DIAMETER STEEL PIPE (SCHEDULE 10 OR HEAVIER).
 - B. MAXIMUM 10" NOMINAL DIAMETER CAST IRON PIPE.
 - C. MAXIMUM 4" NOMINAL DIAMETER COPPER PIPE OR TUBING.
 - D. MAXIMUM 4" NOMINAL DIAMETER STEEL CONDUIT OR EMT.
3. MINIMUM 3" THICKNESS MINERAL WOOL (MIN. 4 PCF DENSITY) TIGHTLY PACKED FOR NOMINAL 4" DIAMETER (AND SMALLER), AND MINIMUM 4" THICKNESS MINERAL WOOL (MIN. 4 PCF DENSITY) TIGHTLY PACKED FOR PIPES GREATER THAN NOMINAL 4" DIAMETER.
4. MINIMUM 1/2" DEPTH HILTI FS-ONE MAX INTUMESCENT FIRESTOP SEALANT, HILTI CP 606 FLEXIBLE FIRESTOP SEALANT, HILTI CFS-S SIL GG FIRESTOP SILICONE SEALANT, OR HILTI CFS-S SIL SL FIRESTOP SILICONE SEALANT.
5. MINIMUM 1/2" BEAD HILTI FS-ONE MAX INTUMESCENT FIRESTOP SEALANT, HILTI CP 606 FLEXIBLE FIRESTOP SEALANT, OR HILTI CFS-S SIL GG FIRESTOP SILICONE SEALANT APPLIED AT POINT OF CONTACT (NOT REQUIRED WHEN HILTI CFS-S SIL SL FIRESTOP SILICONE SEALANT IS USED, ITEM NO. 4).

NOTES :

1. MAXIMUM DIAMETER OF OPENING = 12".
2. ANNULAR SPACE = MINIMUM 0", MAXIMUM 1-1/4".
3. MINIMUM 1/2" DEPTH HILTI FS-ONE MAX INTUMESCENT FIRESTOP SEALANT, HILTI CP 606 FLEXIBLE FIRESTOP SEALANT, OR HILTI CFS-S SIL GG FIRESTOP SILICONE SEALANT IS REQUIRED ON BOTH SIDES OF A WALL ASSEMBLY.
4. W-RATING APPLIES ONLY WHEN HILTI CFS-S SIL SL FIRESTOP SILICONE SEALANT OR FS-ONE MAX INTUMESCENT FIRESTOP SEALANT IS USED. FOR W-RATING WHEN FS-ONE MAX IS USED PACKING MATERIAL TO BE MINIMUM 4" THICK.



HILTI, Inc.
Plano, Texas USA (800) 879-8000

Sheet	2 of 2
Scale	-
Date	Apr. 13, 2016

Drawing No.
**CAJ
1149s**