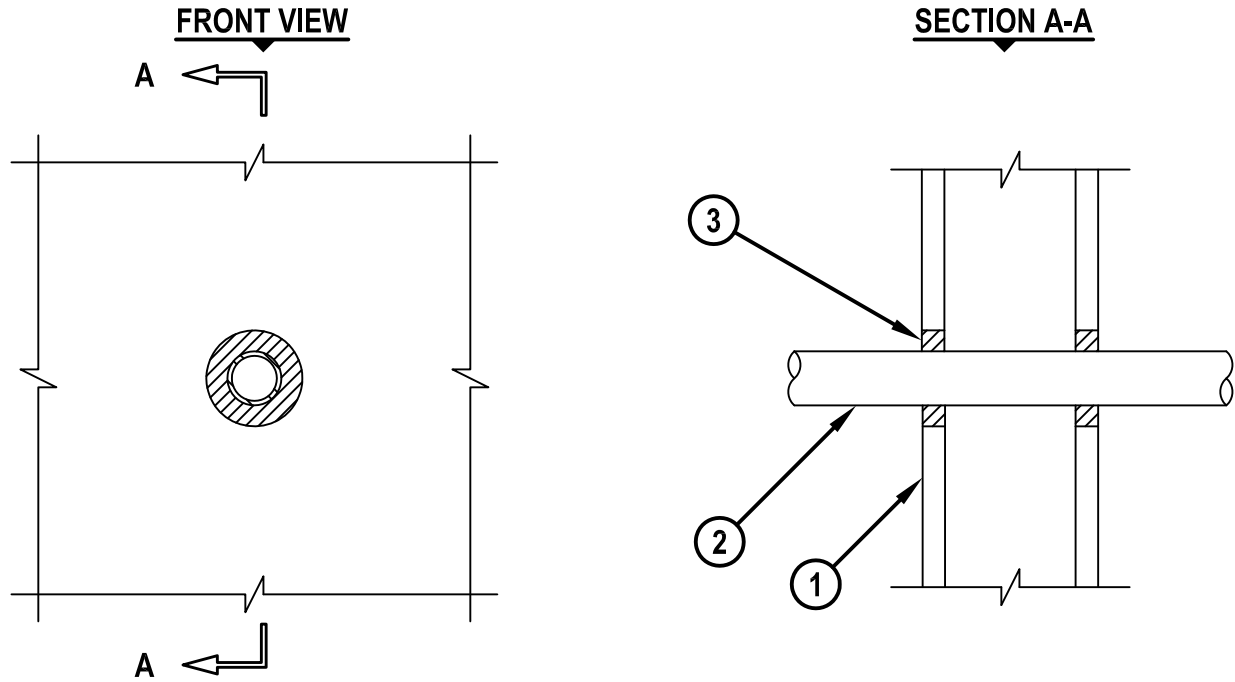


UL SYSTEM NO. W-L-2196

PLASTIC PIPE THROUGH GYPSUM WALL ASSEMBLY

F-RATING = 1-HR.
T-RATING = 1/2-HR.

WL2196b.011215



1. GYPSUM WALL ASSEMBLY (UL CLASSIFIED U300 OR U400 SERIES) (1-HR. FIRE-RATING).
2. MAXIMUM 1-1/2" NOMINAL DIAMETER ABS PLASTIC PIPE (SCHEDULE 40) (CLOSED OR VENTED PIPING SYSTEM).
3. MINIMUM 5/8" DEPTH HILTI FS-ONE MAX OR FS-ONE INTUMESCENT FIRESTOP SEALANT.

NOTES : 1. MAXIMUM DIAMETER OF OPENING = 3".
2. ANNULAR SPACE = MINIMUM 3/8", MAXIMUM 3/4".



HILTI, Inc.
Tulsa, Oklahoma USA (800) 879-8000

Sheet	1 of 1
Scale	3/16" = 1"
Date	Jan. 12, 2015

Drawing No.
**WL
2196b**

Saving Lives through Innovation and Education