



Classified by  
Underwriters Laboratories, Inc.  
to UL 1479 and CAN/ULC-S115

## System No. C-AJ-1517

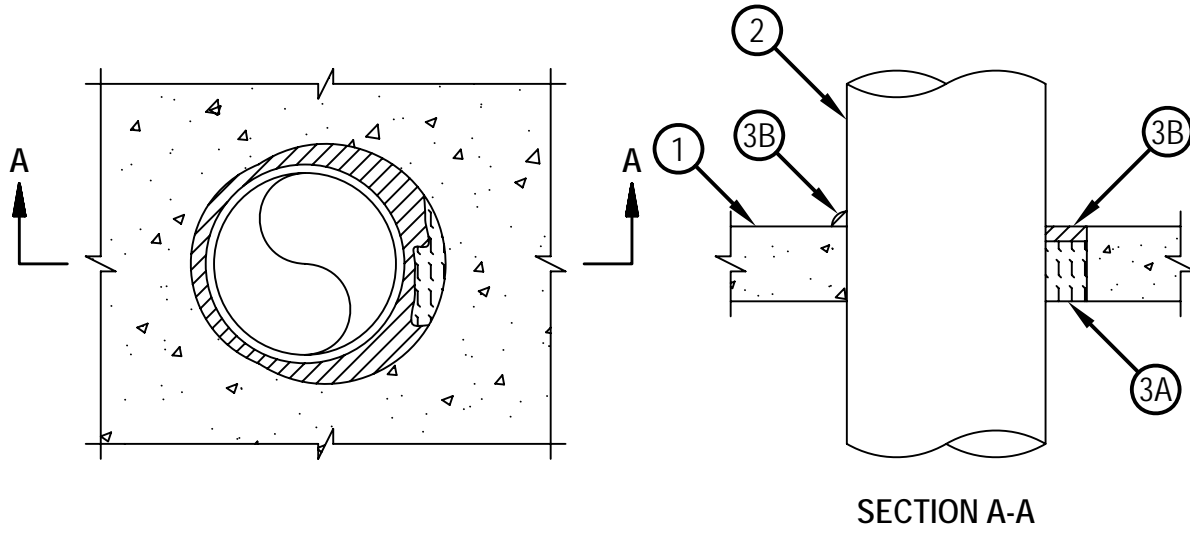
F Rating — 2 Hr

T Rating — 0 Hr

L Rating At Ambient — Less Than 1 CFM/sq ft

L Rating At 400 F — Less Than 1 CFM/sq ft

CAJ 1517



1. Floor or Wall Assembly — Min 2-1/2 in. (64 mm) thick reinforced lightweight or normal weight (100-150 pcf (1602-2403 kg/m<sup>3</sup>)) concrete. Wall may also be constructed of any UL Classified Concrete Blocks\*. Max diam of opening is 26 in. (660mm).  
See Concrete Blocks (CAZT) category in the Fire Resistance Directory for names of manufacturers.
2. Through Penetrant — One metallic pipe, conduit or tubing to be installed concentrically or eccentrically within the firestop system. Penetrant to be rigidly supported on both sides of floor or wall assembly. The annular space between pipe, conduit or tubing shall be min 0 in. (0 mm) (point contact) to max 2 in. (51 mm). The following types and sizes of penetrant may be used:
  - A. Steel Pipe — Nom 24 in. (610mm) diam (or smaller) Schedule 10 (or heavier) steel pipe.
  - B. Iron Pipe — Nom 24 in. (610mm) diam (or smaller) cast or ductile iron pipe.
  - C. Conduit — Nom 4 in. (102mm) diam (or smaller) steel electrical metallic tubing or nom 6 in. (152mm) diam rigid steel conduit.
  - D. Copper Tubing — Nom 6 in. (152mm) diam (or smaller) Type L (or heavier) copper tubing.
  - E. Copper Pipe — Nom 6 in. (152mm) diam (or smaller) Regular copper pipe.
3. Firestop System — The firestop system shall consist of the following:
  - A. Packing Material — Min 2 in. (51mm) thickness of min 4 pcf (64 kg/m<sup>3</sup>) mineral wool batt insulation firmly packed into opening as a permanent form. Packing material to be recessed from top surface of floor or from both surfaces of wall to accommodate the required thickness of fill material.
  - B. Fill Void or Cavity Material\* - Sealant — Min 1/2 in. (13mm) thickness of fill material applied within the annulus, flush with top surface of floor or with both surfaces of wall. At the point contact location between pipe and concrete, a min 1/2 in. (13mm) diam bead of fill material shall be applied at the concrete/pipe interface on the top surface of floor or both surfaces of wall.  
HILTI CONSTRUCTION CHEMICALS, DIV OF HILTI INC — CP 606 Sealant

\*Bearing the UL Classification Mark



**Hilti Firestop Systems**

Reproduced by HILTI, Inc. Courtesy of  
Underwriters Laboratories, Inc.

July 09, 2010