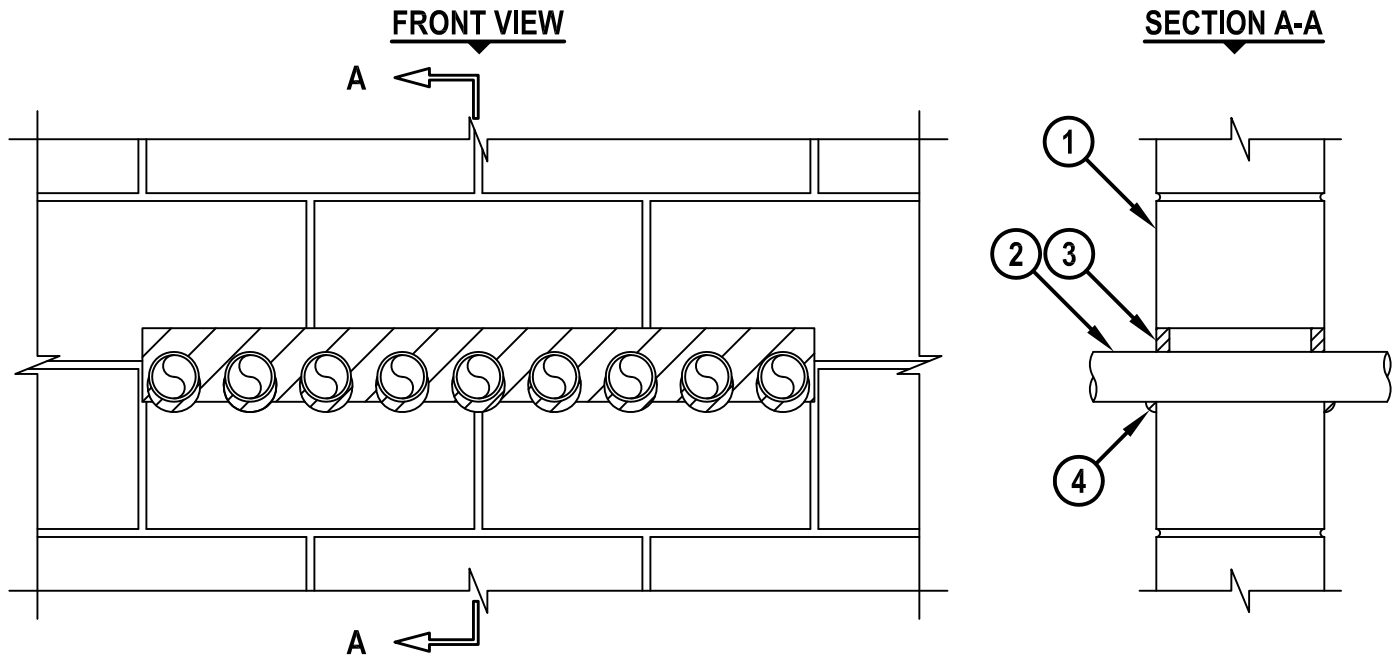


MULTIPLE METALLIC PIPES THROUGH CONCRETE WALL OR BLOCK WALL ASSEMBLY

F-RATING = 1-HR. OR 2-HR.
T-RATING = 0-HR.

WJ1191e.010815



1. CONCRETE WALL ASSEMBLY (1-HR. OR 2-HR. FIRE-RATING) :
 - A. LIGHTWEIGHT OR NORMAL WEIGHT CONCRETE WALL (MINIMUM 5" THICK).
 - B. ANY UL/cUL CLASSIFIED CONCRETE BLOCK WALL.
2. ANY COMBINATION OF THE FOLLOWING PIPES INSTALLED IN A SINGLE ROW :
 - A. MAXIMUM 2" NOMINAL DIAMETER STEEL PIPE (SCHEDULE 5 OR HEAVIER).
 - B. MAXIMUM 2" NOMINAL DIAMETER STEEL CONDUIT.
 - C. MAXIMUM 2" NOMINAL DIAMETER EMT.
3. MINIMUM 5/8" DEPTH HILTI FS-ONE MAX OR FS-ONE INTUMESCENT FIRESTOP SEALANT (SEE NOTE NO. 4 BELOW).
4. MINIMUM 1/2" BEAD HILTI FS-ONE MAX OR FS-ONE INTUMESCENT FIRESTOP SEALANT APPLIED AT POINT OF CONTACT (SEE NOTE NO. 4 BELOW).

NOTES : 1. MAXIMUM SIZE OF OPENING = 32" x 3-1/2".
 2. ANNULAR SPACE BETWEEN PIPES AND PERIPHERY OF OPENING = MINIMUM 0", MAXIMUM 1-3/8".
 3. ANNULAR SPACE BETWEEN PIPES = MINIMUM 0", MAXIMUM 1-1/4".
 4. AS AN ALTERNATE TO FS-ONE MAX OR FS-ONE ON 1-HR. RATED WALLS ONLY, HILTI CP 606 FLEXIBLE FIRESTOP SEALANT MAY BE USED.
 5. [OPTIONAL] [NOT SHOWN] FOAM BACKER ROD, MINERAL WOOL, OR GLASS-FIBER INSULATION MAY BE USED AS PACKING MATERIAL.



HILTI, Inc.
Tulsa, Oklahoma USA (800) 879-8000

Sheet	1 of 1
Scale	7/64" = 1"
Date	Jan. 08, 2015

Drawing No.
**WJ
1191e**