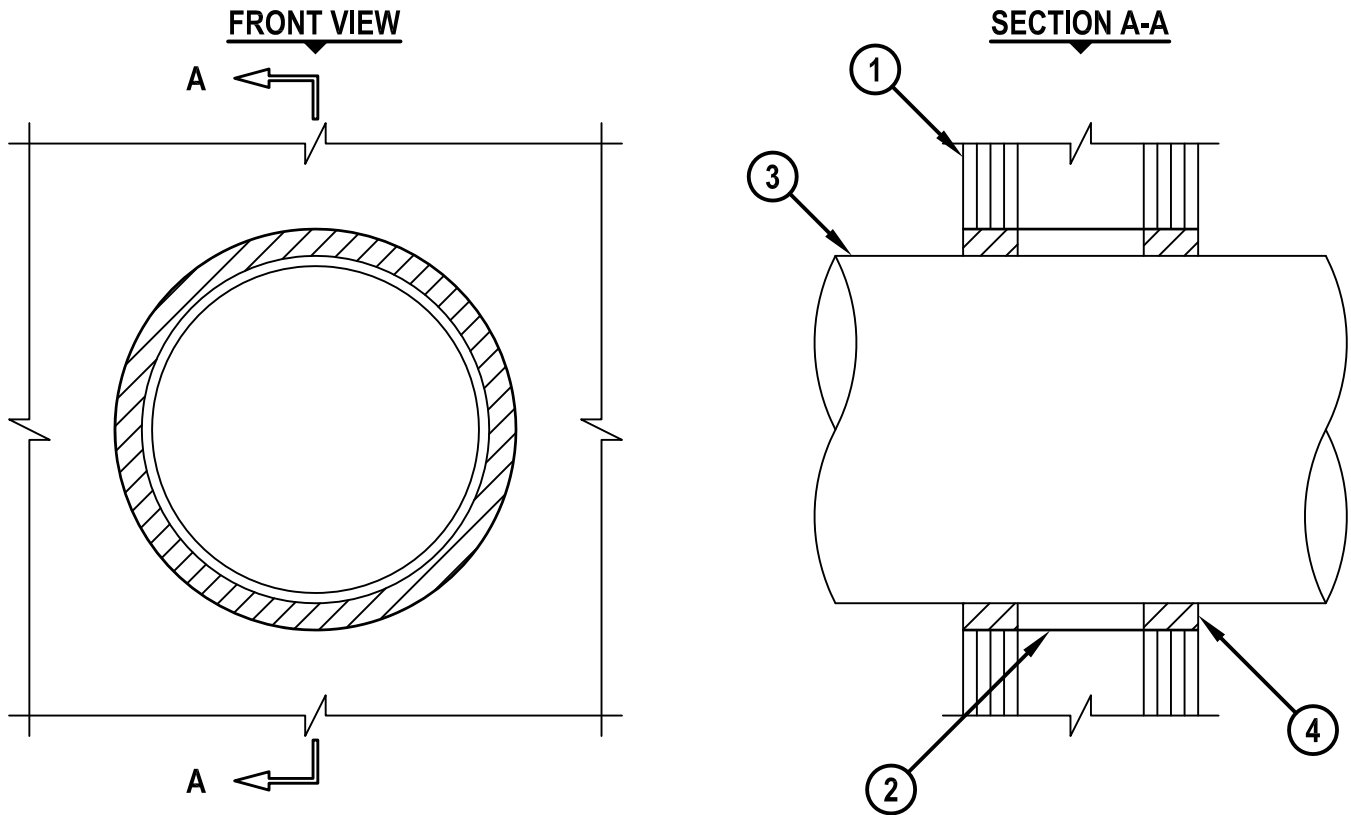


METAL PIPE THROUGH A SLEEVE IN A GYPSUM WALL ASSEMBLY

F-RATING = 4-HR.
T-RATING = 0-HR.

WL1110d.011015



1. GYPSUM WALL ASSEMBLY (UL/cUL DESIGN NO. U435) (4-HR FIRE-RATING).
2. MAXIMUM 14" DIAMETER SHEET METAL SLEEVE (22 GAUGE THICKNESS).
3. PENETRATING ITEM TO BE ONE OF THE FOLLOWING :
 - A. MAXIMUM 12" NOMINAL DIAMETER STEEL PIPE (SCHEDULE 10 OR HEAVIER).
 - B. MAXIMUM 12" NOMINAL DIAMETER CAST IRON PIPE.
 - C. MAXIMUM 6" NOMINAL DIAMETER COPPER PIPE.
 - D. MAXIMUM 6" NOMINAL DIAMETER STEEL CONDUIT.
 - E. MAXIMUM 4" NOMINAL DIAMETER EMT.
4. MINIMUM 2" DEPTH HILTI FS-ONE MAX OR FS-ONE INTUMESCENT FIRESTOP SEALANT.

NOTES : 1. MAXIMUM DIAMETER OF OPENING = 14-5/8".
2. ANNULAR SPACE = MINIMUM 7/8", MAXIMUM 1".



HILTI, Inc.
Tulsa, Oklahoma USA (800) 879-8000

Sheet	1 of 1
Scale	3/16" = 1"
Date	Jan. 10, 2015

Drawing No.
**WL
1110d**