



All loading and design criteria supplied by customer is assumed accurate. Only the stated Design Assumptions were considered, and must be verified by the responsible Engineer of Record (EOR). The basis of Hilti component and connection design is the published data in the current Hilti Technical Guide, including material and cross-section properties, allowable load values, factors of safety, methods of calculation, and limiting factors. The EOR must verify suitability for any specific application, and the capacity of the supportive structure to receive the shown configuration and associated reaction loads. Modification to components and/or design may alter performance and must be evaluated by the EOR.

TYPICAL DETAIL TYPE:
ELECTRICAL & INSTRUMENTATION APPLICATION

TYPICAL DETAIL DESCRIPTION:
PANEL STAND WITH CABLE TRAY

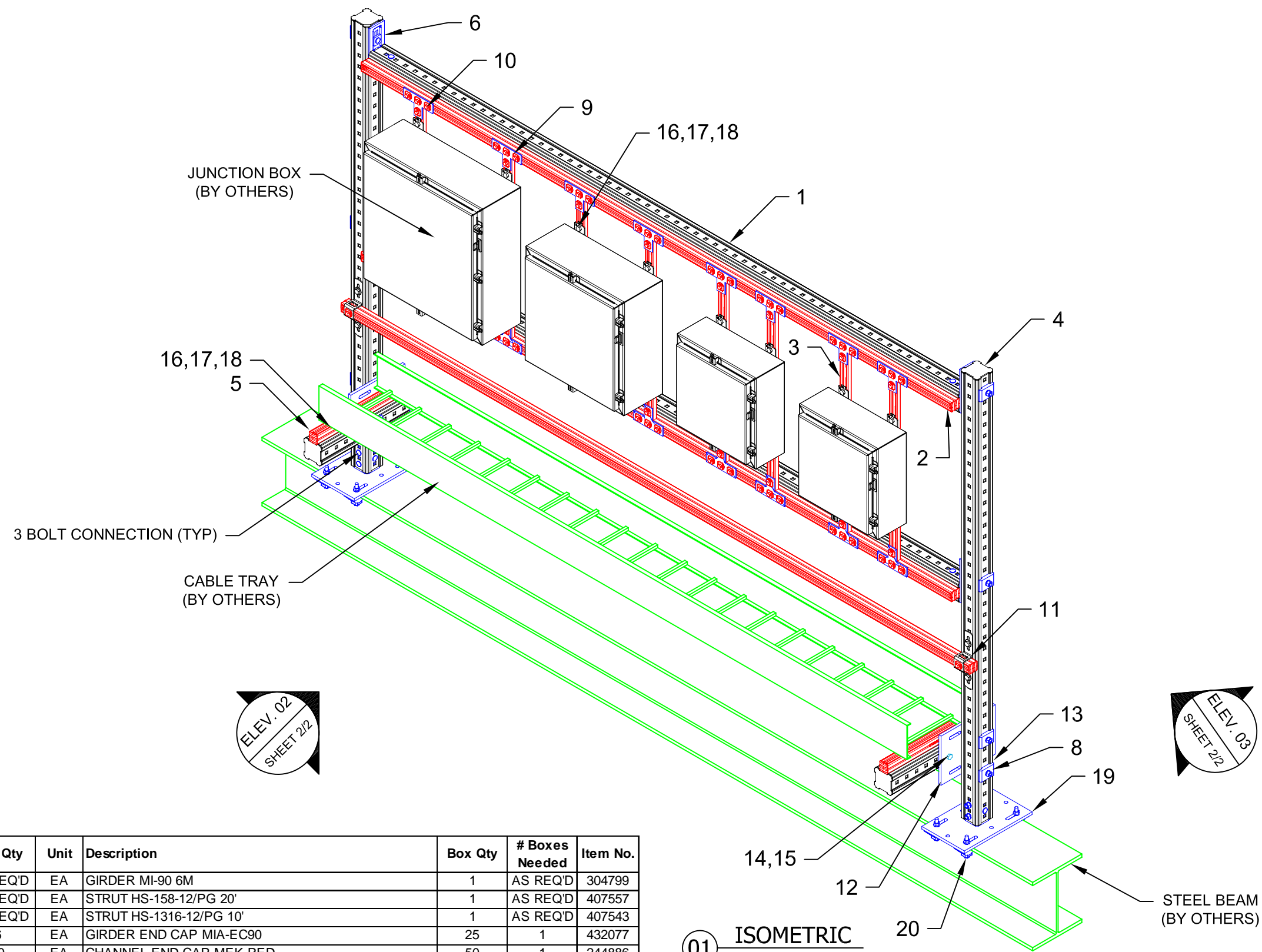
DESIGNED BY: KL	REVIEWED BY: AJV
DRAWN BY: GAB	ISSUE DATE: 04 DEC 14

REVISIONS:

NO.	DESCRIPTION:	DATE:
A	ORIGINAL ISSUE	04 DEC 14

TYPICAL DETAIL NOMENCLATURE:
EI-PS07-S

DRAWING NUMBER: 01	SHEET: 1/2
------------------------------	----------------------



01 ISOMETRIC
N.T.S.

- NOTE(S):**
- PRELIMINARY NOT FOR CONSTRUCTION
 - DESIGN ASSUMPTIONS:
 - NO LOADS CONSIDERED - CONCEPT ONLY
 - LATERAL LOADS NOT CONSIDERED
 - BUILDING CODE: NOT SPECIFIED
 - CORROSION RESISTANCE REQD.: NOT SPECIFIED
 - REFER TO COMPONENT MANUFACTURER'S IFUs FOR REQUIRED INSTALLATION INFO.
 - E.O.R. MUST BE NOTIFIED OF ANY DEVIATIONS FROM EXISTING/NEW SUBSTRATE CONDITIONS SHOWN HEREIN TO VALIDATE ACCEPTANCE OF THIS HILTI DESIGN PRIOR TO INSTALLATION.

No.	Unit Qty	Unit	Description	Box Qty	# Boxes Needed	Item No.
1	AS REQ'D	EA	GIRDER MI-90 6M	1	AS REQ'D	304799
2	AS REQ'D	EA	STRUT HS-158-12/PG 20'	1	AS REQ'D	407557
3	AS REQ'D	EA	STRUT HS-1316-12/PG 10'	1	AS REQ'D	407543
4	6	EA	GIRDER END CAP MIA-EC90	25	1	432077
5	20	EA	CHANNEL END CAP MEK RED	50	1	244886
6	4	EA	CONNECTOR MIC-90-U	4	1	304803
7	10	EA	ONEHAND SCREW MIA-OH90	10	1	304889
8	18	EA	MI HEX NUT M12-F-SL-WS 3/4"	100	1	382897
9	16	EA	CHANNEL TIE MQV-T	10	2	369645
10	66	EA	CHANNEL CONNECTOR MQN	50	2	369623
11	2	EA	CONNECTOR MIC-MI/MQ-X	16	1	304881
12	2	EA	BASEPLATE MIB-SA STEEL	2	1	304821
13	8	EA	BACKING PLATE MIA-EH-P	10	1	304891
14	8	EA	WASHER A 13-F	100	1	304771
15	8	EA	M12x130F/8.8 Hex. Screw (ITEM #283596)	SPECIAL	SPECIAL	SPECIAL
16	AS REQ'D	EA	HEX HEAD BOLT 1/2" x 1"	250	AS REQ'D	311953
17	AS REQ'D	EA	WASHER 1/2"	100	AS REQ'D	411758
18	AS REQ'D	EA	WING NUT MQM-F1/2"	50	AS REQ'D	377883
19	2	EA	CONNECTOR MIC-S90-X STEEL (SEE TABLE)	VARIES	VARIES	VARIES
20	8	EA	BEAM CLAMP MI-SGC-M12	16	1	233859

MIC-S90-X

Beam Width Table

X	'B' Width	Item No.
A	2.9 to 6.5	304812
B	6.5 to 9.2	304813
C	9.2 to 11.8	304814



All loading and design criteria supplied by customer is assumed accurate. Only the stated Design Assumptions were considered, and must be verified by the responsible Engineer of Record (EOR). The basis of Hilti component and connection design is the published data in the current Hilti Technical Guide, including material and cross-section properties, allowable load values, factors of safety, methods of calculation, and limiting factors. The EOR must verify suitability for any specific application, and the capacity of the supportive structure to receive the shown configuration and associated reaction loads. Modification to components and/or design may alter performance and must be evaluated by the EOR.

TYPICAL DETAIL TYPE:
ELECTRICAL & INSTRUMENTATION APPLICATION

TYPICAL DETAIL DESCRIPTION:
PANEL STAND WITH CABLE TRAY

DESIGNED BY: KL	REVIEWED BY: AJV
DRAWN BY: GAB	ISSUE DATE: 04 DEC 14

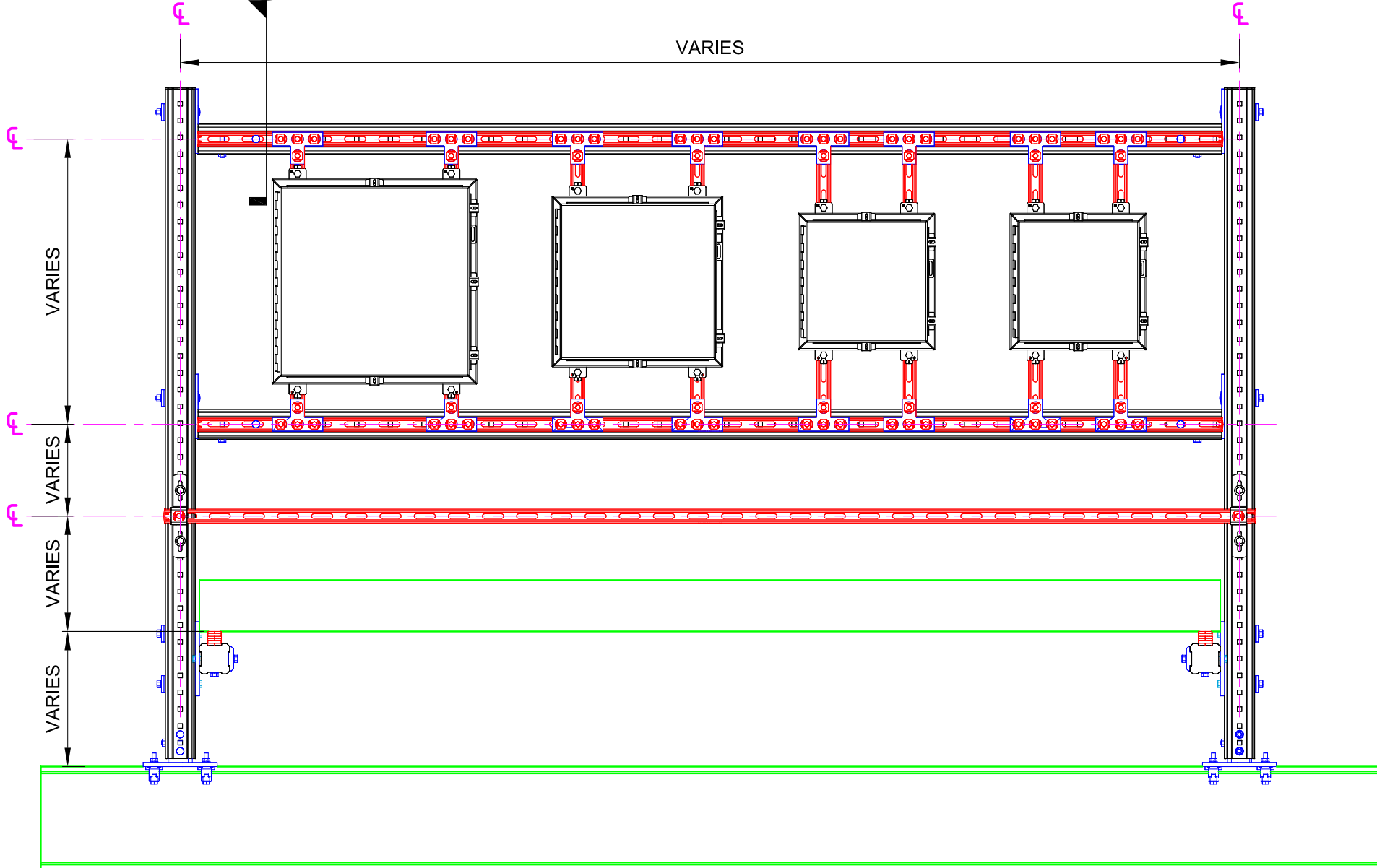
REVISIONS:

NO.	DESCRIPTION:	DATE:
A	ORIGINAL ISSUE	04 DEC 14

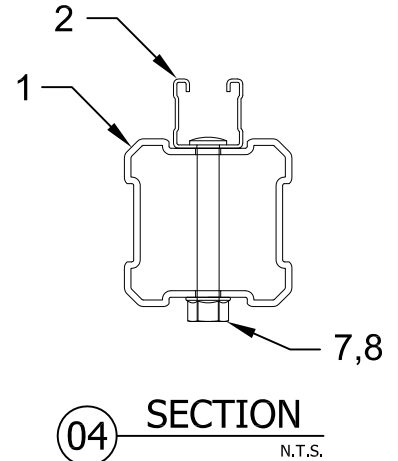
TYPICAL DETAIL NOMENCLATURE:
EI-PS07-S

DRAWING NUMBER: 01	SHEET: 2/2
------------------------------	----------------------

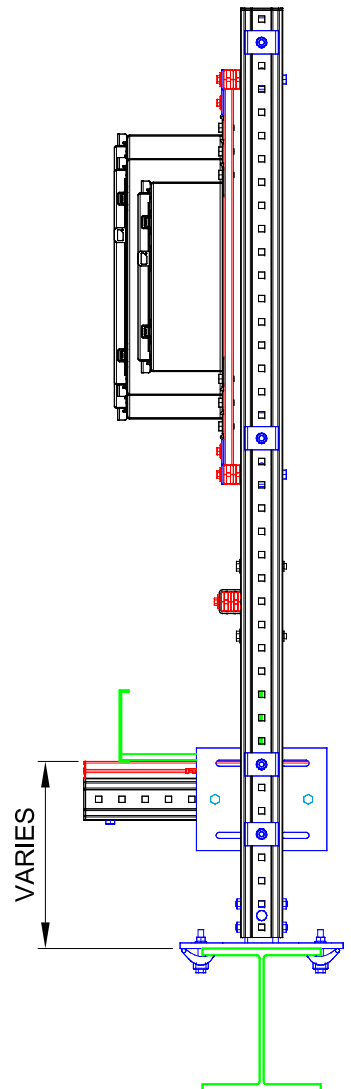
04
SHEET 2/2



02 ELEVATION
N.T.S.



04 SECTION
N.T.S.



03 ELEVATION
N.T.S.

NOTE(S):
1. REFER TO SHEET 1 FOR APPLICABLE NOTE(S).

\\hlti.com\US\TEAMS\installations\Projects\TYPICAL LIBRARY\ELECTRICAL & INSTRUMENTATION (E&I)\CAD\EI-PS07-S.dwg, 12/23/2014 8:17:16 AM