

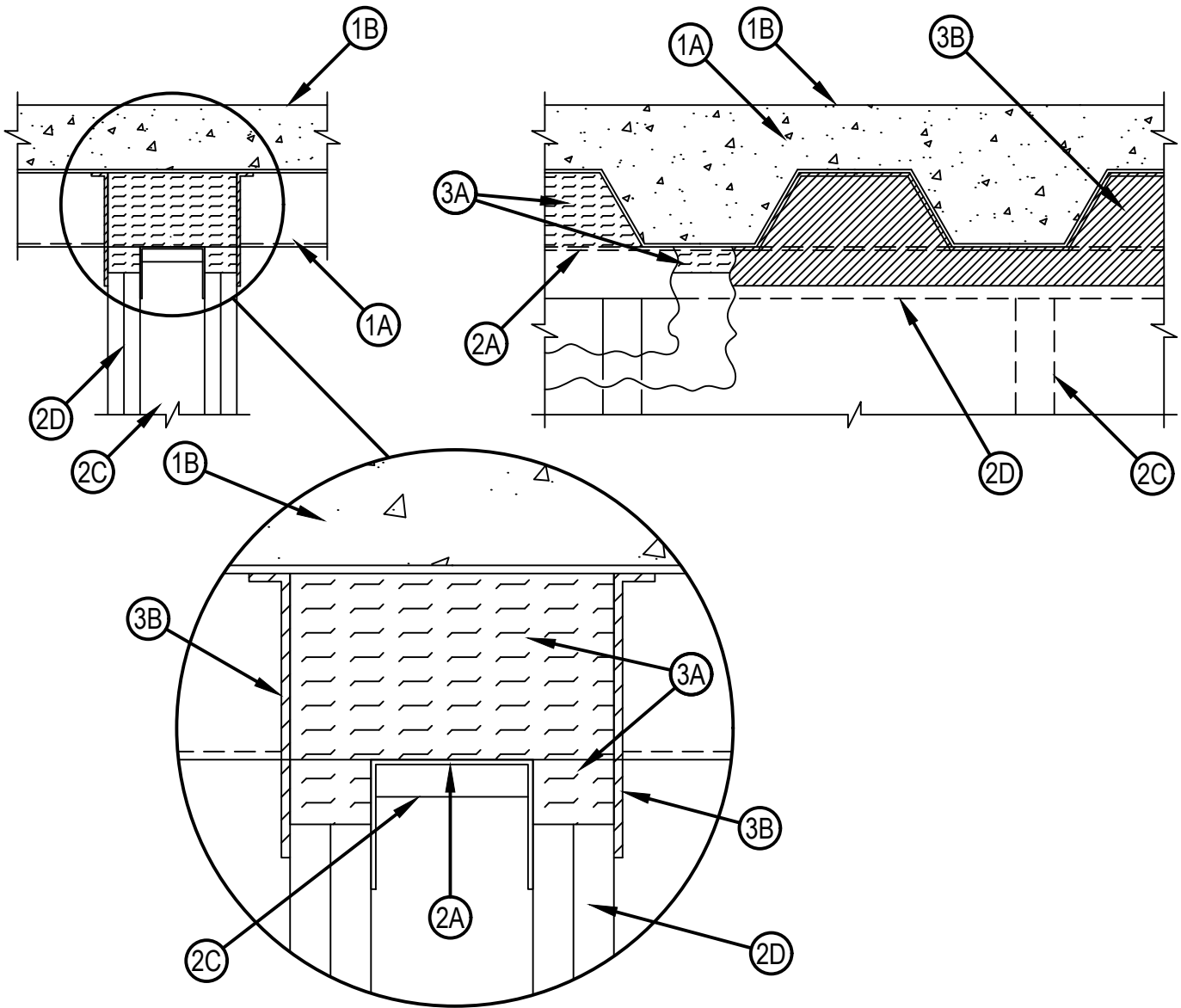


Classified by
Underwriters Laboratories, Inc.
to UL 2079 and CAN/ULC-S115

System No. HW-D-0042

HWD 0042

ANSI/UL2079	CAN/ULC S115
Assembly Ratings — 1 and 2 Hr (See Items 2 and 3A)	F Ratings — 1 and 2 Hr (See Items 2 and 3A)
Nominal Joint Width - 1 In.	FT Ratings — 1 and 2 Hr (See Items 2 and 3A)
Class II Movement Capabilities — 50% Compression or Extension	FH Ratings — 1 and 2 Hr (See Items 2 and 3A)
L Rating At Ambient — Less Than 1 CFM/Lin Ft	FTH Ratings — 1 and 2 Hr (See Items 2 and 3A)
L Rating At 400°F — Less Than 1 CFM/Lin Ft	Nominal Joint Width - 1 In.
	Class II Movement Capabilities — 50% Compression or Extension
	L Rating At Ambient — Less Than 1 CFM/Lin Ft
	L Rating At 400°F — Less Than 1 CFM/Lin Ft

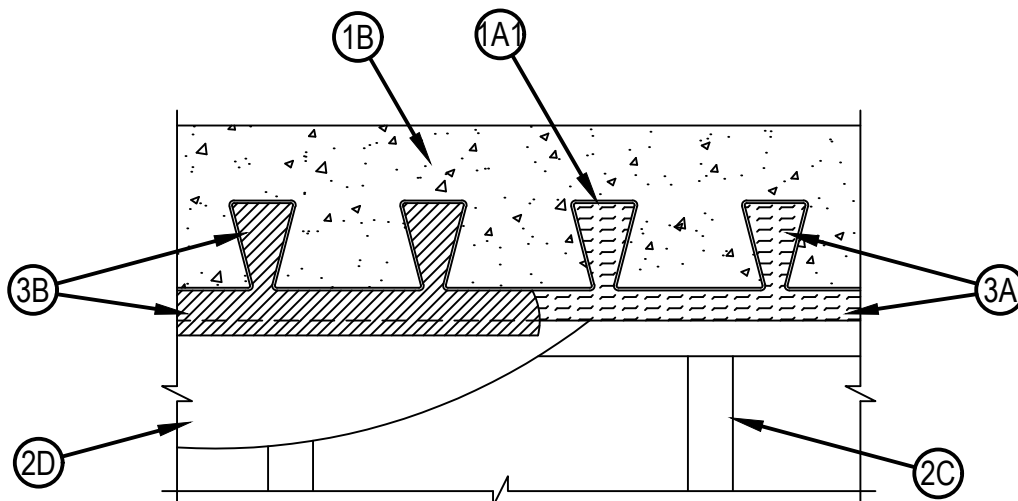


Hilti Firestop Systems

Reproduced by HILTI, Inc. Courtesy of
Underwriters Laboratories, Inc.
June 21, 2023

System No. HW-D-0042

HWD 0042



CONFIGURATION B

1. Floor Assembly — The fire-rated fluted steel deck/concrete floor assembly shall be constructed of the materials and in the manner described in the individual D700 or D900 Floor-Ceiling Design in the UL Fire Resistance Directory and shall include the following construction features:
 - A. Steel Floor And Form Units* — Max 3 in. (76 mm) deep galv steel fluted units.
 - A1. Steel Floor And Form Units* (Configuration B) — Composite max 2.5 in. (64 mm) deep galv steel fluted units.
EPIC METALS CORP — Types "EC" or "Toris C"
 - A2. Steel Floor And Form Units* (Configuration B) — Composite max 2 in. (51 mm) deep galv steel fluted units.
NEW MILLENNIUM BUILDING SYSTEMS L L C — Versa-Dek®
 - B. Concrete — Min 2-1/2 in. (64 mm) thick reinforced concrete, as measured from the top plane of the floor units.
 - C. Spray-Applied Fire Resistive Materials* — (Optional, Not Shown) — Prior to or after the installation of the steel ceiling runners, Forming Material and Fill, Void or Cavity Material (Items 2A, 3A, 3B, respectively) the steel floor units may be sprayed with a min 5/16 in. (8 mm) to max 1-3/4 in. (45 mm) thickness of fire resistive material.
GCP APPLIED TECHNOLOGIES INC — Types MK-6-HY or MK-10HB
ISOLATEK INTERNATIONAL — Type 300
- 1A. Roof Assembly — (Not Shown) — As an alternate to the floor assembly, a fire rated fluted steel deck roof assembly may be used. The roof assembly shall be constructed of the materials and in the manner described in the individual P900 Series Roof-Ceiling Design in the UL Fire Resistance Directory. The hourly rating of the roof assembly shall be equal to or greater than the hourly rating of the wall assembly. The roof assembly shall include the following construction features:
 - A. Steel Roof Deck — Max 3 in. (76 mm) deep galv steel fluted roof deck.
 - A1. Steel Floor And Form Units* (Configuration B) — Composite max 2.5 in. (64 mm) deep galv steel fluted units.
EPIC METALS CORP — Types "Toris C" or "ER2R"
 - A2. Steel Floor And Form Units* (Configuration B) — Composite max 2 in. (51 mm) deep galv steel fluted units.
NEW MILLENNIUM BUILDING SYSTEMS L L C — Versa-Dek®
 - B. Roof Insulation — Min 2-1/4 in. (57 mm) thick poured insulating concrete, as measured from the top plane of the floor units.
- 1B. Roof Assembly — As an alternate to Items 1 and 1A, a fire rated protected fluted steel deck roof assembly may be used. The roof assembly shall be constructed of the materials and in the manner described in the individual P700 Series Roof-Ceiling Design in the UL Fire Resistance Directory. The hourly rating of the roof assembly shall be equal to or greater than the hourly rating of the wall assembly. The roof assembly shall include the following construction features:
 - A. Steel Roof Deck — Max 3 in. (76 mm) deep galv steel fluted roof deck.
 - A1. Steel Floor And Form Units* (Configuration B) — Composite max 2.5 in. (64 mm) deep galv steel fluted units.
EPIC METALS CORP — Type "Toris C"
 - B. Spray Applied Fire Resistive Materials* — (Not Shown) — Prior to or after the installation of the steel ceiling runners, Forming Material and Fill, Void or Cavity Material (Items 2A, 3A, 3B), the roof assembly shall be sprayed with the type and thickness of fire resistive material indicated in the individual P700 Series design.



Hilti Firestop Systems

Reproduced by HILTI, Inc. Courtesy of
Underwriters Laboratories, Inc.
August 26, 2021

GCP APPLIED TECHNOLOGIES INC — Types MK-6-HY or MK-10HB

ISOLATEK INTERNATIONAL — Type 300

2. Wall Assembly — The 1 or 2 hr fire rated gypsum board/steel stud wall assembly shall be constructed of the materials and in the manner described in the individual U400 or V400 Series Wall and Partition Design in the UL Fire Resistance Directory and shall include the following construction features:

A. Steel Floor And Ceiling Runners — Floor and ceiling runners of wall assembly shall consist of galv steel channels sized to accommodate steel studs (Item 2C). Flange height of ceiling runner shall be min 1/4 in. (6 mm) greater than max extended joint width. Ceiling runner installed perpendicular to direction of fluted steel deck and secured to valleys with steel masonry anchors, steel fasteners or welds spaced max 24 in. (610 mm) OC. before or after optional spray-applied fire resistive material is used. The use of welds to secure the ceiling runner may only be used prior to the installation of the optional spray-applied material.

A1. Light Gauge Framing* — Slotted Ceiling Runner — As an alternate to the ceiling runner in Item 2A, slotted ceiling runner to consist of galv steel channel with slotted flanges sized to accommodate steel studs (Item 2C). Slotted ceiling runner installed perpendicular to direction of fluted steel deck and secured to valleys with steel fasteners or welds spaced max 24 in. (610 mm) OC before optional spray-applied fire resistive material is used. Ceiling runner installed perpendicular to direction of fluted steel deck and secured to valleys with steel masonry anchors, steel fasteners or welds spaced max 24 in. (610 mm) OC. before or after optional spray-applied fire resistive material is used. The use of welds to secure the ceiling runner may only be used prior to the installation of the optional spray-applied material.

BRADY CONSTRUCTION INNOVATIONS INC, DBA SLIPTRACK SYSTEMS — SLP-TRK

CEMCO, LLC — CST

CLARKDIETRICH BUILDING SYSTEMS — Type SLT, SLT-H

CONSOLIDATED FABRICATORS CORP, BUILDING PRODUCTS DIV — SDT250, SDT300

MARINO/WARE, DIV OF WARE INDUSTRIES INC — Type SLT

METAL-LITE INC — The System

OLMAR SUPPLY INC — STT250, STT300

R & P SUPPLY — SCT250, SCT300

RAM SALES L L C — RAM Slotted Track

SCAFCO STEEL STUD MANUFACTURING CO

TELLING INDUSTRIES L L C — True-Action Deflection Track

A2. Light Gauge Framing* — Vertical Deflection Ceiling Runner — When the nom joint width is less than or equal to 3/4 in. (19 mm), vertical deflection ceiling runner may be used as an alternate to the ceiling runners in Items 2A and 2A1. Vertical deflection ceiling runner to consist of galv steel channel with slotted vertical deflection clips mechanically fastened within runner. Slotted clips provided with step bushings for permanent fastening of steel studs. Flanges sized to accommodate steel studs (Item 2C). Vertical deflection ceiling runner installed perpendicular to direction of fluted steel deck and secured to valleys with steel masonry anchors, steel fasteners or welds spaced max 24 in. (610 mm) OC. before or after optional spray-applied fire resistive material is used. The use of welds to secure the ceiling runner may only be used prior to the installation of the optional spray-applied material.

THE STEEL NETWORK INC — VertiTrack VTD250, VTD362, VTD400, VTD600 and VTD800

A3. Light Gauge Framing* — Notched Ceiling Runner — As an alternate to the ceiling runners in Items 2A through 2A3, notched ceiling runners to consist of C-shaped galv steel channel with notched return flanges sized to accommodate steel studs (Item 2C). Notched ceiling runner installed perpendicular to direction of fluted steel deck and secured to valleys with steel masonry anchors, steel fasteners or welds spaced max 24 in. (610 mm) OC. before or after optional spray-applied fire resistive material is used. The use of welds to secure the ceiling runner may only be used prior to the installation of the optional spray-applied material.

OLMAR SUPPLY INC — Type SCR

B. Steel Attachment Clips — (Optional — Not Shown) — When spray applied fireproofing is used ceiling runner may be secured to deck with Z-shaped clips formed from min 1 in. (25 mm) long strips of min 20 ga galv steel. Length of clips should not exceed the width (thickness) of the wall. Clips to be sized to extend through the thickness of the spray-applied fire-resistive material on the bottom of the steel deck with 1-1/2 or 2 in. (38 or 51 mm) long upper and lower legs. Legs of clips fastened to valleys of steel deck (prior to application of spray-applied fire-resistive materials) and top of ceiling runner with steel masonry anchors, steel fasteners or welds. Clips spaced max 24 in. (610 mm) OC.



- C. Studs — Steel studs to be min 2-1/2 in. (64 mm) wide. Studs cut 1/2 to 3/4 in. (13 to 19 mm) less in length than assembly height with bottom nesting in and resting on floor runner and with top nesting in ceiling runner without attachment. When Epic Metals composite floor or roof deck (Item 1A1) is used, steel studs to be min 3-5/8 in. (92 mm) wide. When slotted ceiling runner (Item 2A1) is used, steel studs secured to slotted ceiling runner with No. 8 by 1/2 in. (13 mm) long wafer head steel screws at midheight of slot on each side of wall. When vertical deflection ceiling runner (Item 2A2) is used, steel studs secured to slotted vertical deflection clips, through the bushings, with steel screws at midheight of each slot. Stud spacing not to exceed 24 in. (610 mm) OC.
- D. Gypsum Board* — Gypsum board installed to a min total thickness of 5/8 in. and 1-1/4 in. (16 and 32 mm) on each side of wall for 1 and 2 hr rated assemblies, respectively. Wall to be constructed as specified in the individual Wall and Partition Design in the UL Fire Resistance Directory, except that a max 1 in. (25 mm) gap shall be maintained between the top of the gypsum board and the bottom of the steel deck units and the top row of screws shall be installed into the studs 1-1/2 to 2 in. (38 to 51 mm) below the bottom of the ceiling runner. The hourly rating of the joint system is dependent on the hourly rating of the wall.
3. Joint System — Max separation between bottom of floor or roof and top of wall at time of installation of joint system is 1 in. (13 mm). The joint system is designed to accommodate a max 50 percent compression or extension from its installed width. The joint system consists of forming material and a fill material, as follows:
- A. Forming Material* — Nom 4 pcf (64 kg/m³) density mineral wool batt insulation cut with a length approx equal to the overall thickness of the wall. Multiple pieces stacked on top of each other, as needed, and then compressed 25 percent in thickness and inserted into the flutes of the steel deck above the top of the ceiling runner. The mineral wool batt insulation is to project beyond each side of the ceiling runner, flush with wall surfaces. Alternately, nom 4 pcf (64 kg/m³) forming material cut to shape of flute and nom 1 in. (25 mm) longer than thickness of wall; mineral wool compressed from ends and firmly packed into each flute to attain a min compression rate of 14.3 percent in the length (wall thickness) direction to be flush with both wall surfaces. When Composite Steel Form and Floor Units (Items 1A1, 1A2) are used, the mineral wool is to be tightly packed into the inverted flutes to the full thickness of the wall. In addition, for the Epic Metals "Toris C" deck, the mineral wool is to be packed to min 25% compression within the recessed indentations immediately above the ceiling runners. For the New Millennium Versa-Dek, pieces of mineral wool shall be packed to the maximum depth possible to fill any embossments within the valleys of the fluted deck. Additional 5/8 in. and 1-1/4 in. (16 and 32 mm) wide strips for 1 and 2 hr rated assemblies, respectively, of nom 4 pcf (64 kg/m³) mineral wool batt insulation are to be cut to fill the gap between the top of the gypsum board and bottom of the steel deck. The strips of mineral wool are compressed 50 percent and tightly packed, cut edge first, into the gap between the top of the gypsum board and bottom of the steel deck on both sides of the wall.
- INDUSTRIAL INSULATION GROUP L L C — MinWool-1200 Safing
ROCK WOOL MANUFACTURING CO — Delta- Board
ROCKWOOL — SAFE
THERMAFIBER INC — Type SAF
- A1. Forming Material* — Plugs — (Optional, Not Shown) — Preformed mineral wool plugs, formed to the shape of the trapezoidal fluted floor units, friction fit to completely fill the flutes above the ceiling channel. The plugs shall project beyond each side of the ceiling runner, flush with wall surfaces. Additional forming material, described in Item 3A, to be used in conjunction with the plugs to fill the gap between the top of gypsum board and bottom of steel floor units.
- HILTI CONSTRUCTION CHEMICALS, DIV OF HILTI INC — CP777 Speed Plugs
- A2. Forming Material* — Strips — (Optional) — Nom 5/8 in. and 1-1/4 in. (16 and 32 mm) wide by 2 in. (51 mm) high precut mineral wool strips for 1 and 2 hr rated assemblies respectively. The strips are compressed 50 percent and firmly packed, cut edge first, into the gap between the top of the gypsum board and bottom of the steel floor units on both sides of the wall.
- HILTI CONSTRUCTION CHEMICALS, DIV OF HILTI INC — CP 767 Speed Strips



System No. HW-D-0042

HW-D-0042

B. Fill, Void or Cavity Material* — Min 1/16 in. (1.6 mm) dry thickness (1/8 in. or 3.2 mm wet thickness) of fill material sprayed or troweled on each side of the wall to completely cover mineral wool forming material and to overlap a min of 1/2 in. (13 mm) onto gypsum board and steel deck on both sides of wall. When Spray-Applied Fire Resistive Material* is applied to the Steel Floor and Form Units*, the fill material is to overlap the gypsum board a min of 1/2 in. (13 mm) and the Spray-Applied Fire Resistive Material a min of 2 in. (51 mm) on both sides of wall. When spray-applied fire resistive materials are used, the firestop joint spray shall overlap the wall a min 1/2 in. (13 mm) and overlap the spray-applied fire resistive material a min of 2 in. (51 mm) on both sides of the wall.

HILTI CONSTRUCTION CHEMICALS, DIV OF HILTI INC — CFS-SP WB Firestop Joint Spray

* Indicates such products shall bear the UL or cUL Certification Mark for jurisdictions employing the UL or cUL Certification (such as Canada), respectively.



Hilti Firestop Systems

Reproduced by HILTI, Inc. Courtesy of
Underwriters Laboratories, Inc.
August 26, 2021

Page: 5 of 5