

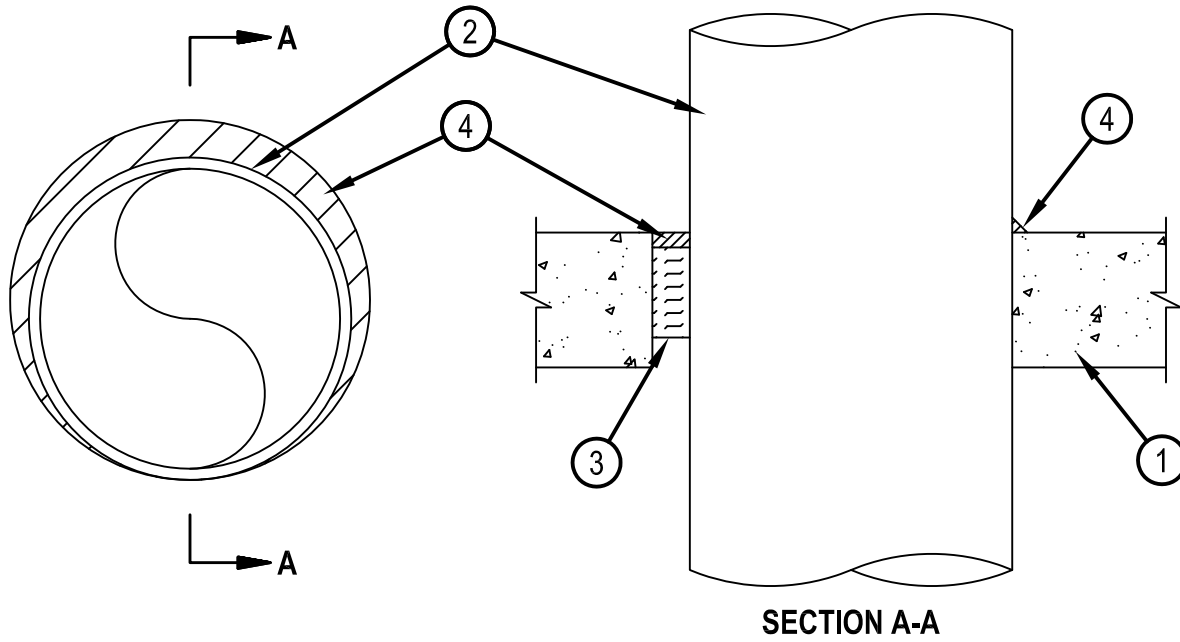


Classified by
Underwriters Laboratories, Inc.
to UL 1479 and CAN/ULC-S115

System No. C-AJ-1158

CAJ 1158

ANSI/UL1479 (ASTM E814)	CAN/ULC S115
F Rating — 2 Hr	F Rating — 2 Hr
T Rating — 0 Hr	FT Rating — 0 Hr
L Rating At Ambient — Less Than 1 CFM/sq ft	FH Rating — 2 Hr
L Rating At 400 F — 4 CFM/sq ft	FTH Rating — 0 Hr
W Rating — Class 1 (See Item 4)	L Rating At Ambient — Less Than 1 CFM/sq ft
	L Rating At 400 F — 4 CFM/sq ft



SECTION A-A

1. Floor or Wall Assembly — Min 4-1/2 in. (114 mm) thick reinforced lightweight or normal weight (100-150 pcf or 1600 - 2400 kg/m³) concrete. Wall may also be constructed of any UL Classified Concrete Blocks*. Max diam of opening is 12 in. (305 mm).
See Concrete Blocks (CAZT) category in the Fire Resistance Directory for names of manufacturers.
2. Through Penetrants — One metallic pipe to be installed within the firestop system. Pipe to be rigidly supported on both sides of floor or wall assembly. The annular space shall be min 0 in. (point contact) to max 1-1/4 in. (32 mm). The following types and sizes of pipes may be used:
 - A. Steel Pipe — Nom 10 in. (254 mm) diam (or smaller) Schedule 10 (or heavier) steel pipe.
 - B. Iron Pipe — Nom 10 in. (254 mm) diam (or smaller) cast or ductile iron pipe.
3. Packing Material — Min 3 in. (76 mm) thickness of min 4.0 pcf (64 kg/m³) mineral wool batt insulation firmly packed into opening as a permanent form. Packing material to be recessed from top surface of floor or from both surfaces of wall as required to accommodate the required thickness of fill material.
4. Fill, Void or Cavity Material* — Sealant — Min 1/2 in. (13 mm) thickness of fill material applied within the annulus, flush with the top surface of floor or both surfaces of wall. At the point of contact location between pipe and concrete, a min 1/2 in. (13 mm) diam bead of fill material shall be applied at the pipe/concrete interface on the top surface of floor and on both surfaces of wall. W Rating applies only when CFS-S SIL GG, CFS-S SIL SL (floors only), CP601S, CP604 sealant or FS-ONE MAX Intumescent Sealant is used. For W Rating when FS-ONE MAX is used, packing material to be a min 4 in. (102 mm) thickness of min 4 pcf (64 kg/m³) mineral wool batt insulation.
HILTI CONSTRUCTION CHEMICALS, DIV OF HILTI INC — CP601S, CP604, CFS-S SIL GG, CFS-S SIL SL (floors only), CP606, FS-ONE Sealant or FS-ONE MAX Intumescent Sealant

* Indicates such products shall bear the UL or cUL Certification Mark for jurisdictions employing the UL or cUL Certification (such as Canada), respectively.



Hilti Firestop Systems

Reproduced by HILTI, Inc. Courtesy of
Underwriters Laboratories, Inc.
February 20, 2015