

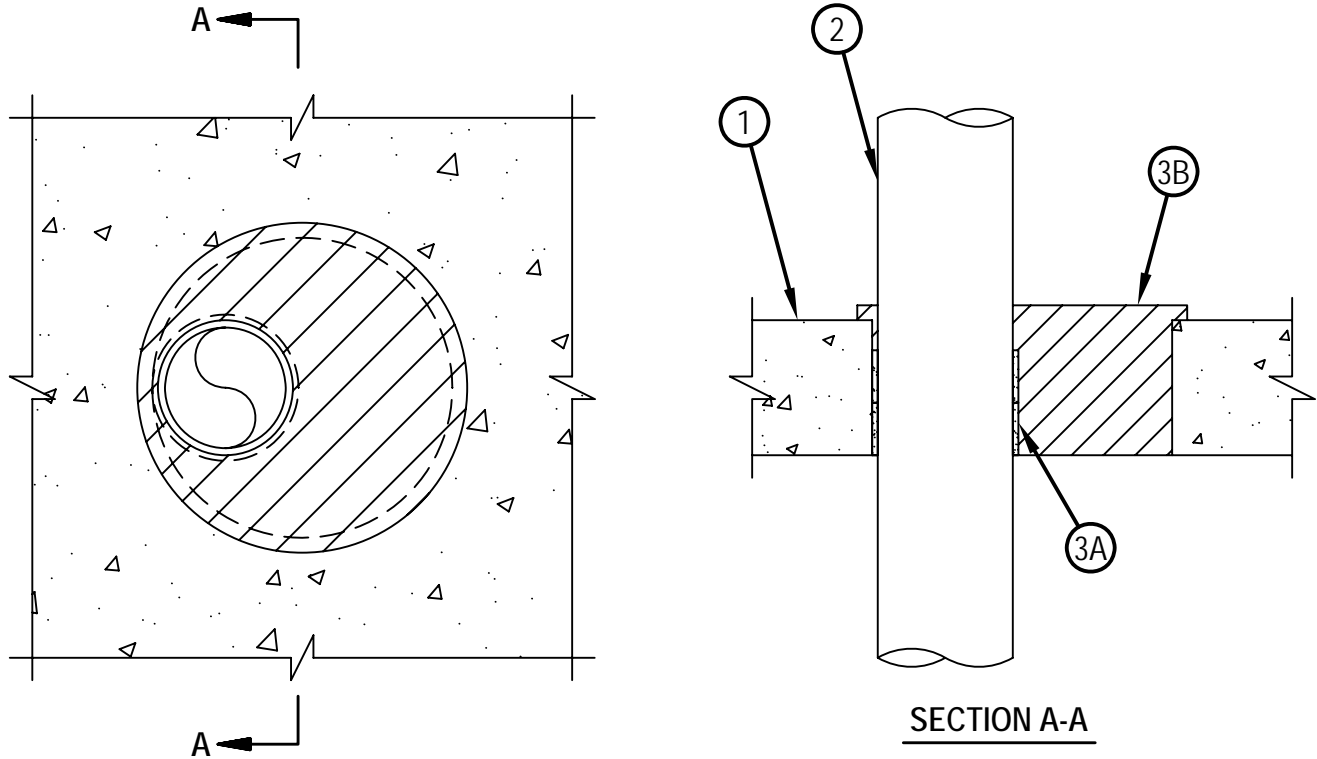


Classified by
Underwriters Laboratories, Inc.
to UL 1479

System No. C-AJ-2392

F Rating - 2 Hr
T Rating - 0 Hr

CAJ 2392



1. Floor or Wall Assembly -- Min 4-1/2 in. thick reinforced lightweight or normal weight (100-150 pcf) concrete. Wall may also be constructed of any UL Classified Concrete Blocks*. Max diam of opening is 10 in.
See Concrete Blocks (CAZT) category in the Fire Resistance Directory for names of manufacturers.
2. Through Penetrants -- One non-metallic pipe to be installed eccentrically or concentrically within the opening with an annular space of min 3/16 in. to max 5-5/16 in. Pipe to be rigidly supported on both sides of floor or wall assembly. The following types and sizes of non-metallic pipe may be used:
 - A. Polyvinyl Chloride (PVC) Pipe -- Nom 4 in. diam (or smaller) Schedule 40 solid or cellular core PVC pipe for used in closed (process or supply) or vented (drain, waste or vent) piping systems.
 - B. Chlorinated Polyvinyl Chloride (CPVC) -- Nom 4 in. diam (or smaller) SDR13.5 CPVC pipe for used in closed (process or supply) piping systems.
3. Firestop System -- The firestop system shall consist of the following:
 - A. Fill, Void or Cavity Material*-Wrap Strip -- Two stacks of wrap strips, each applied in a single wrap with ends tightly butted and held in place with tape, installed flush with bottom surface of floor or both surfaces of wall or extending 1/2 in. beyond both surfaces of wall.
HILTI CONSTRUCTION CHEMICALS, DIV OF HILTI INC -- CP 648-E W45/1-3/4" Wrap Strip
 - B. Fill Void or Cavity Materials* -- Foam -- Min 5 in. thickness of fill material applied within the annulus flush with bottom surface of floor and extending 1/2 in. above the top surface of the floor and overlapping the concrete 1/2 in. on all sides of the opening. In walls, fill material installed extending 1/2 in. beyond both surfaces of wall and overlapping the concrete 1/2 in. on all sides of the opening.
HILTI CONSTRUCTION CHEMICALS, DIV OF HILTI INC -- CP 620 Fire Foam

*Bearing the UL Classification Mark



Hilti Firestop Systems

Reproduced by HILTI, Inc. Courtesy of
Underwriters Laboratories, Inc.

April 27, 2005