



Classified by
Underwriters Laboratories, Inc.
to UL 2079 and CAN/ULC-S115

System No. HW-D-0286

Assembly Rating — 2 Hr

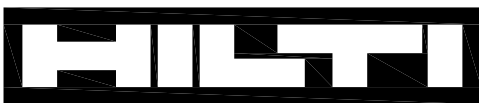
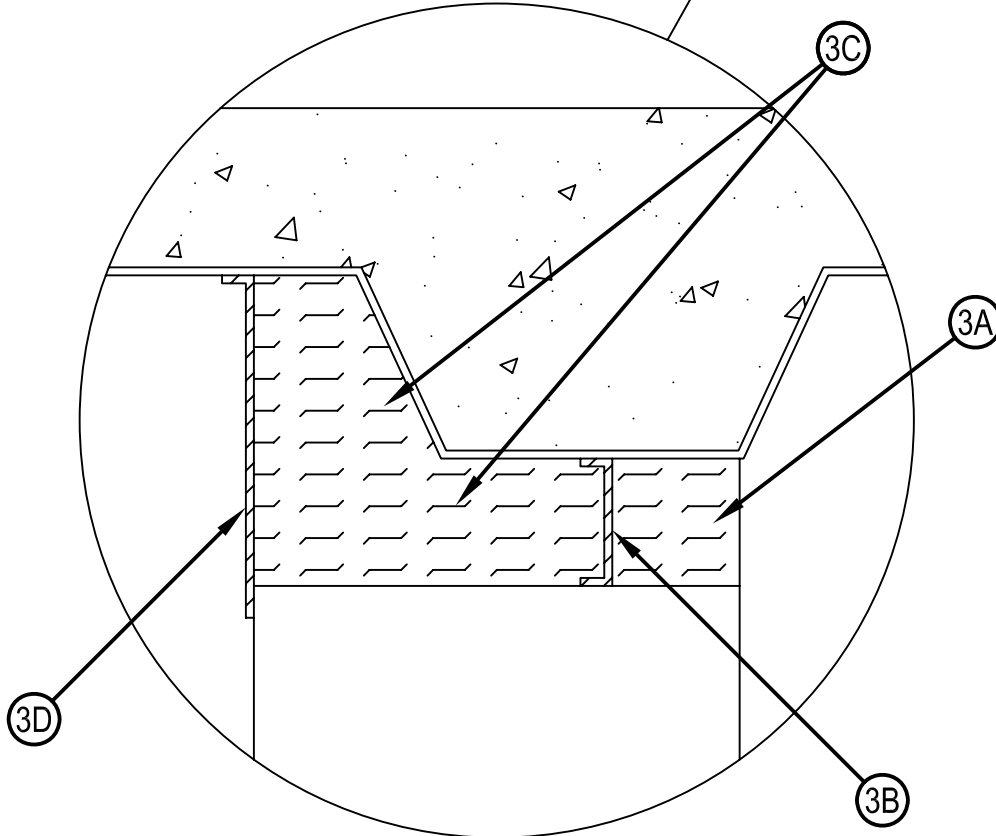
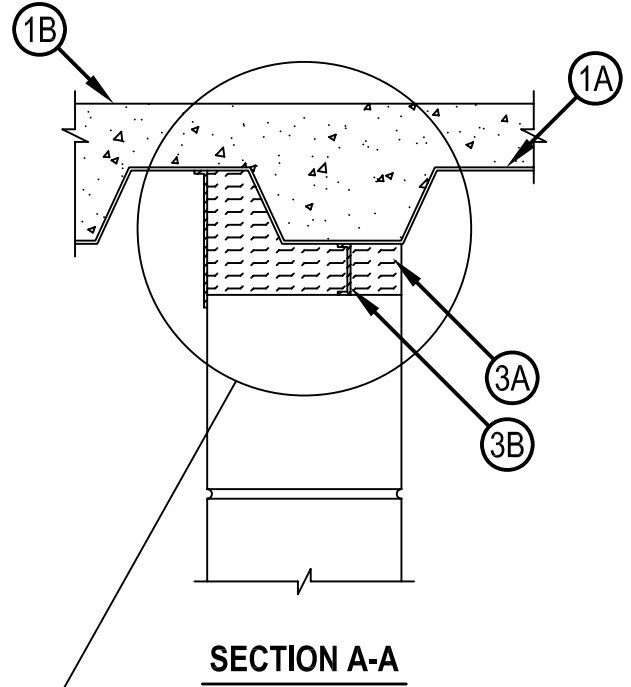
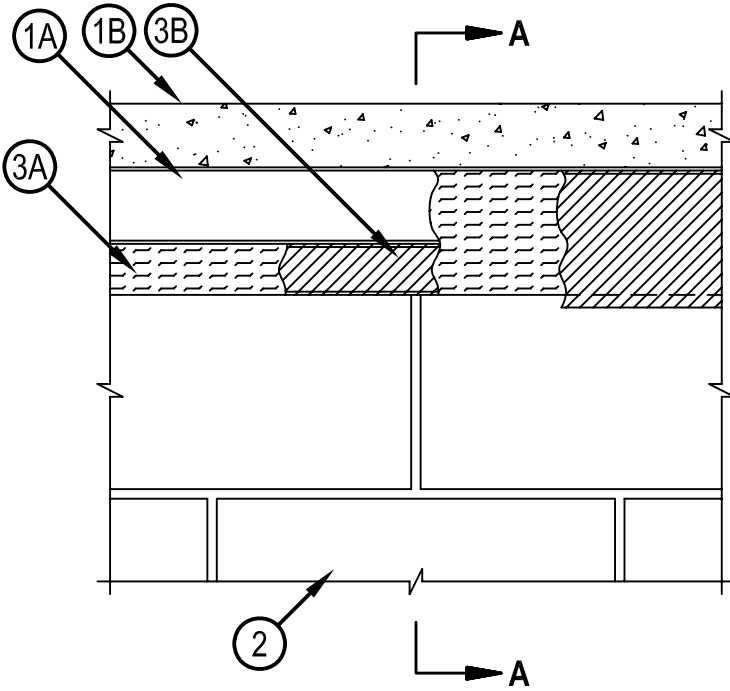
Nominal Joint Width — 2 In.

L Rating At Ambient — Less Than 1 CFM/Lin Ft

L Rating At 400°F — Less Than 1 CFM/Lin Ft

Class II Movement Capabilities — 12.5% Compression

HW-D-0286



Hilti Firestop Systems

Reproduced by HILTI, Inc. Courtesy of
Underwriters Laboratories, Inc.

June 04, 2010



Classified by
Underwriters Laboratories, Inc.
to UL 2079 and CAN/ULC-S115

System No. HW-D-0286

Assembly Rating — 2 Hr

Nominal Joint Width — 2 In.

L Rating At Ambient — Less Than 1 CFM/Lin Ft

L Rating At 400°F — Less Than 1 CFM/Lin Ft

Class II Movement Capabilities — 12.5% Compression

HW-D-0286

1. Floor Assembly — The 2 hr fire-rated fluted steel deck/concrete floor assembly shall be constructed of the materials and in the manner described in the individual D900 Floor-Ceiling Design in the UL Fire Resistance Directory and shall include the following construction features:
 - A. Steel Floor and Form Units* — Max 3 in. (76 mm) deep galv steel fluted floor units.
 - B. Concrete — Min 2-1/2 in. (64 mm) thick reinforced concrete, as measured from the top plane of the floor units.
2. Wall Assembly — Min 8 in. (203 mm) thick reinforced lightweight or normal weight (100-150 pcf or 1600-2400 kg/m³) structural concrete. Wall shall be installed parallel with the flutes of the steel floor and form units (Item 1A). Wall may also be constructed of any UL Classified 2 hr fire rated Concrete Blocks*. When wall is constructed of concrete blocks, the top course of block shall be filled with concrete, grout or mortar. See Concrete Blocks (CAZT) category in the Fire Resistance Directory for names of manufacturers.
3. Joint System — Max separation between bottom of spray-applied fire resistive and top of the wall at time of installation of joint system is 2 in. (51 mm). The joint system is designed to accommodate a max 12.5 percent compression or extension from its installed width. The joint system consists of the following:
 - A. Forming Material* — Min 4 pcf (64 kg/m³) mineral wool batt insulation cut into strips min 2 in. (51 mm) wide compressed 33 percent in thickness and inserted into the gap between the top of the wall and the bottom of the floor units flush with one surface of the wall.
ROCK WOOL MANUFACTURING CO — Delta Board
 - B. Fill, Void or Cavity Material* — Min 1/8 in. (3.2 mm) wet thickness (min 1/16 in. or 1.6 mm dry thickness) of fill material sprayed or troweled into joint to completely cover mineral wool forming material and to overlap a min of 1/2 in. (13 mm) onto wall and steel deck within joint cavity.
HILTI CONSTRUCTION CHEMICALS, DIV OF HILTI INC — CP672 Firestop Spray
 - C. Forming Material* — Min 4 pcf (64 kg/m³) mineral wool batt insulation cut into strips min 6 in. (152 mm) wide, compressed 33 percent in thickness and inserted into the gap between the top of the wall and the bottom of the floor units flush with the installed forming material Item 3A. When the void beneath the steel deck is located entirely above the wall, the void shall be completely filled with mineral wool insulation compressed 33 percent in thickness. When void beneath the steel deck is located in part above the wall, that portion of the void above the wall shall be packed with additional strips of mineral wool batt insulation compressed 33 percent in thickness flush with the surface of the wall.
ROCK WOOL MANUFACTURING CO — Delta Board
 - D. Fill, Void or Cavity Material* — Min 1/8 in. (3.2 mm) wet thickness (min 1/16 in. or 1.6 mm dry thickness) of fill material sprayed or troweled to completely cover mineral wool forming material and to overlap a min of 1/2 in. (13 mm) onto wall and steel deck on accessible side of the wall.
HILTI CONSTRUCTION CHEMICALS, DIV OF HILTI INC — CP672 Firestop Spray or CFS-SP WB Firestop Joint Spray

*Bearing the UL Classification Mark



Hilti Firestop Systems

Reproduced by HILTI, Inc. Courtesy of
Underwriters Laboratories, Inc.

June 04, 2010