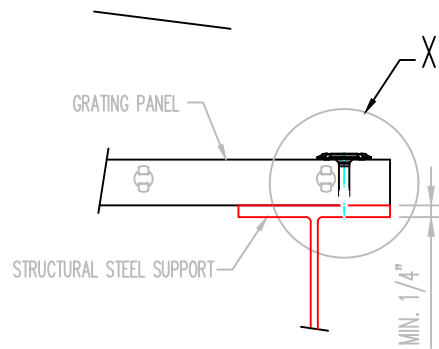
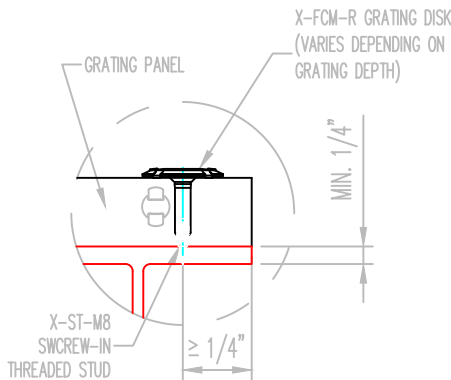


SECTION A-A

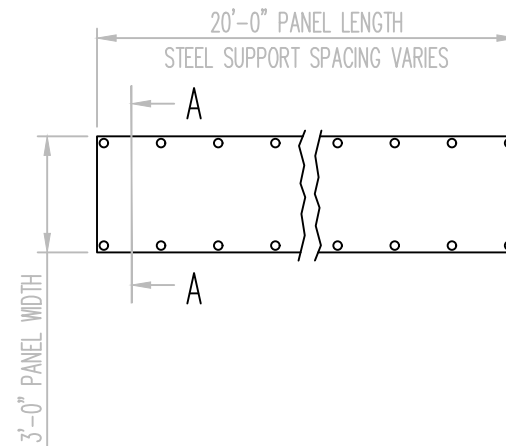


GRATING SUPPORT

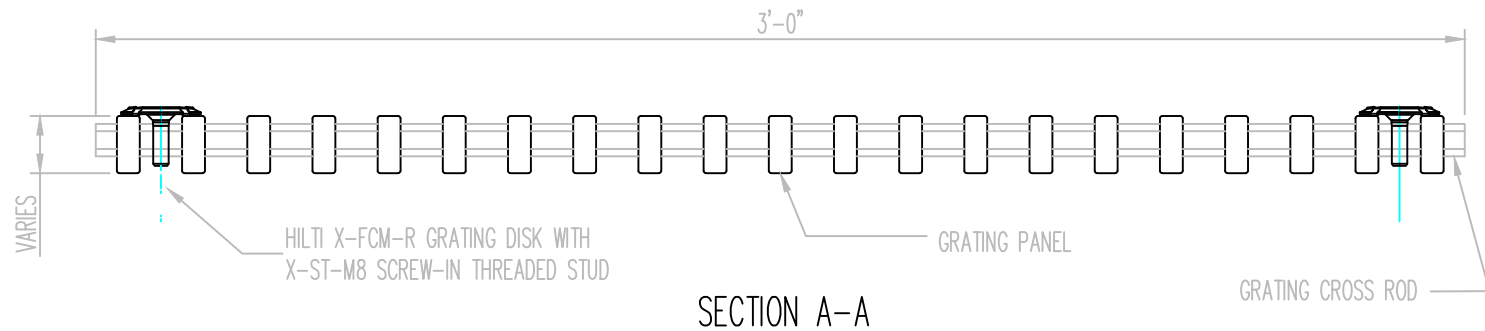


NOTE: INSTALL DISK WITH TORQUE T = 6 FT LBS

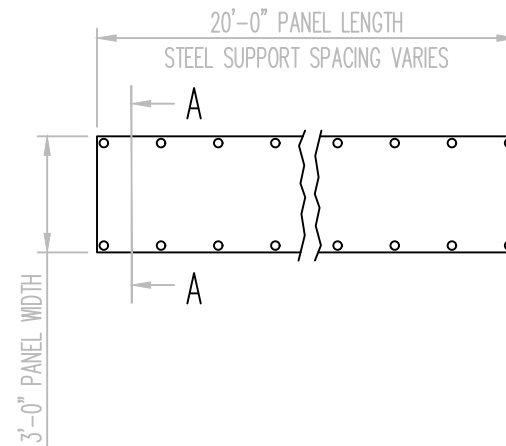
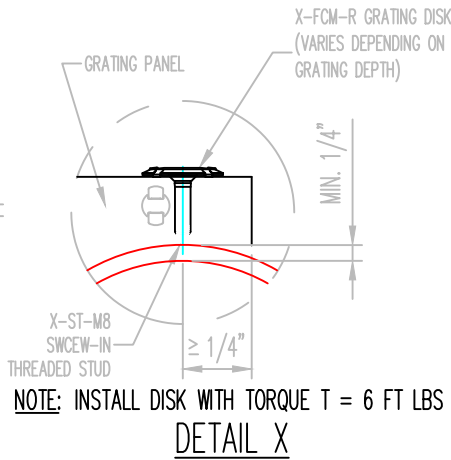
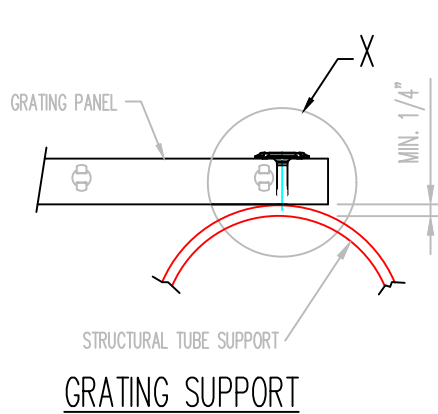
DETAIL X



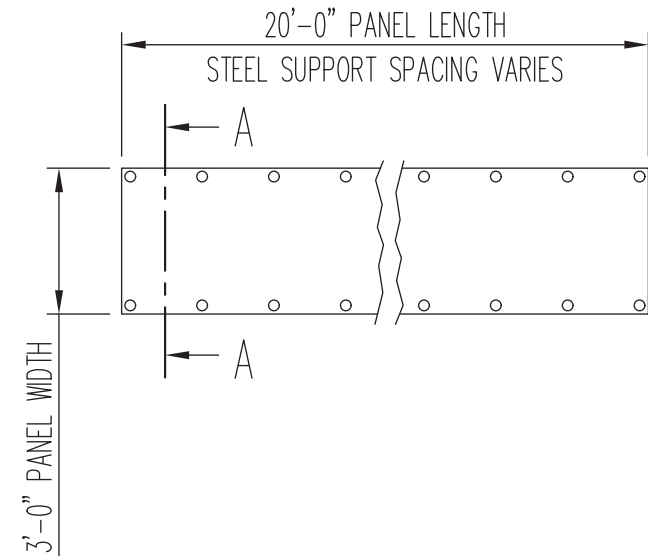
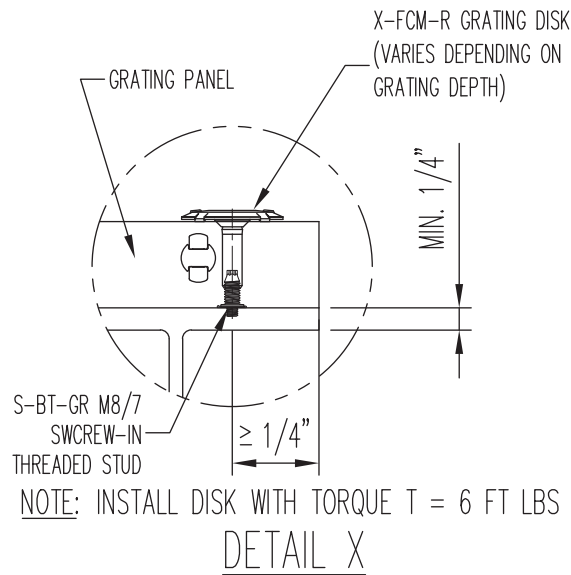
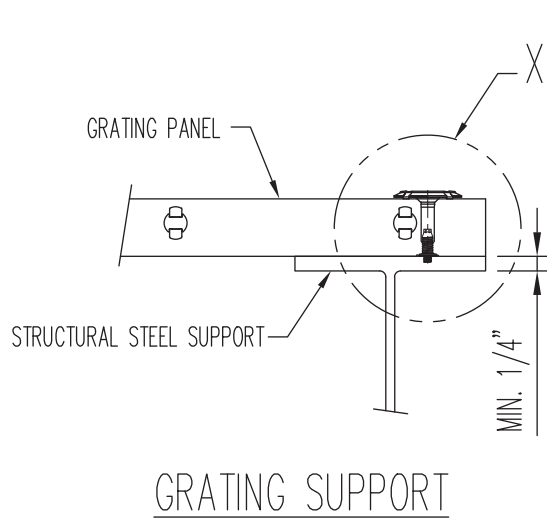
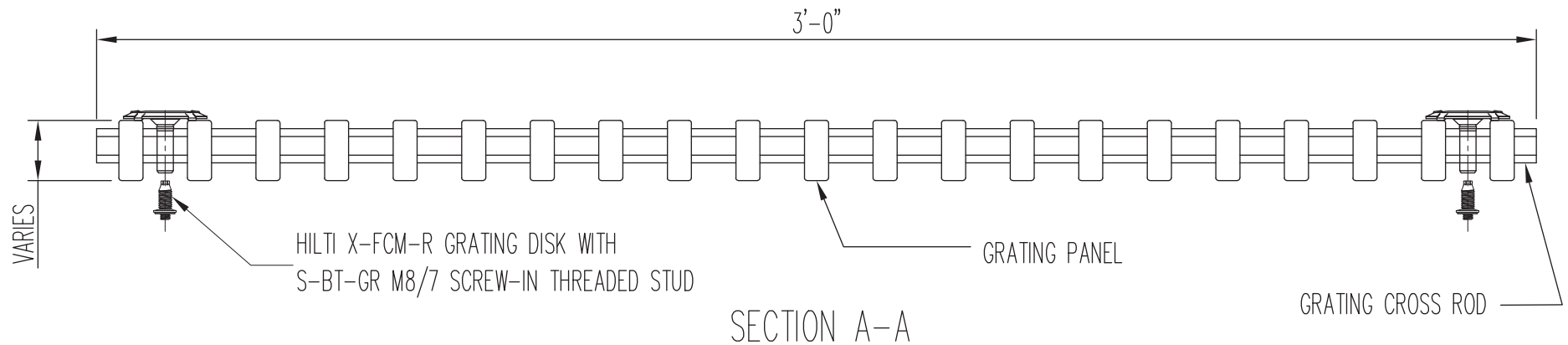
GRATING DISK SELECTION				
GRATING MIN.	HEIGHT MAX.	STAINLESS STEEL DISK	SCREW-IN THREADED STUD	ITEM NO.
-	-	-	X-ST-M8	377074
1"	1-3/16"	X-FCM-R25/30	↓	247181
1-1/4"	1-1/4"	X-FCM-R 1-1/4		247184
1-3/8"	1-9/16"	X-FCM-R35/40		247182
1-3/4"	2"	X-FCM-R45/50		247183



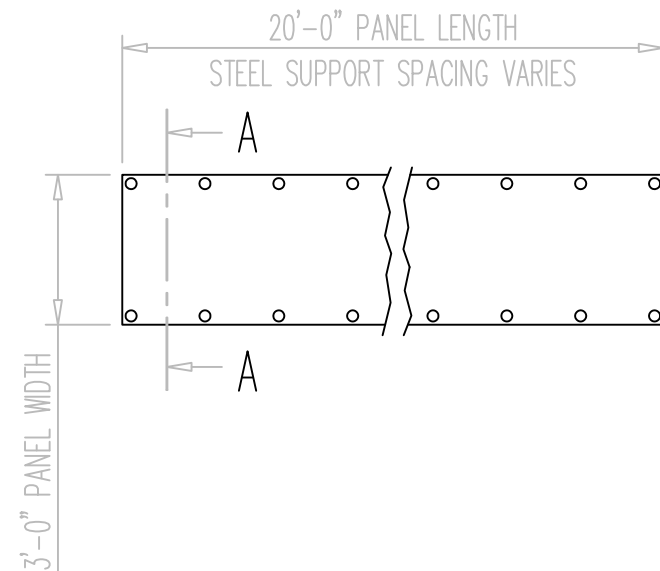
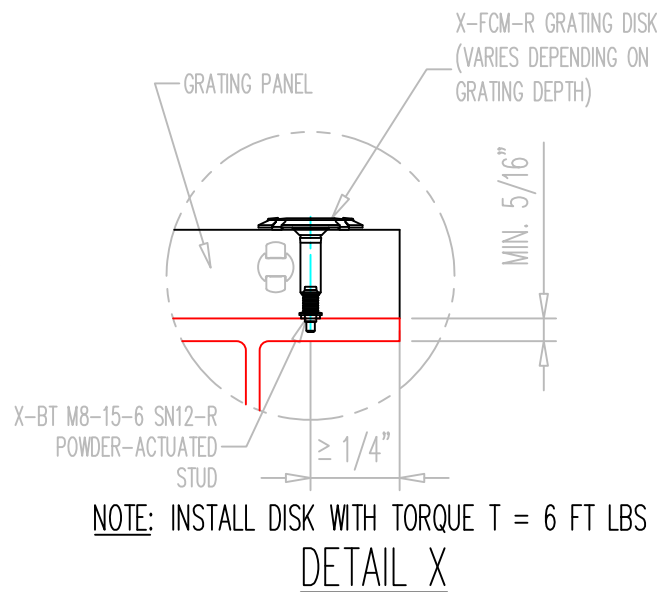
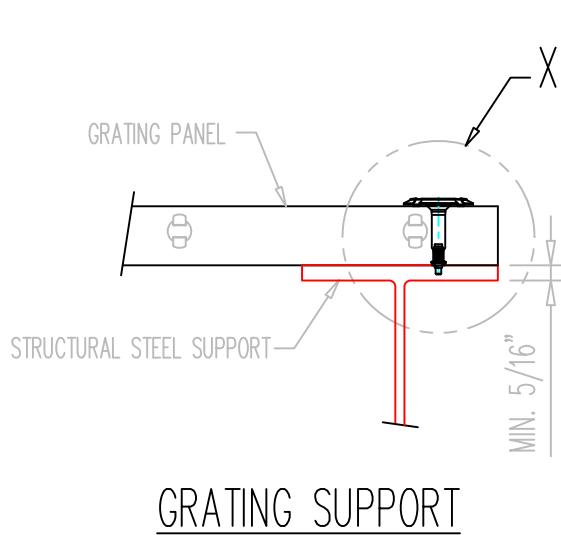
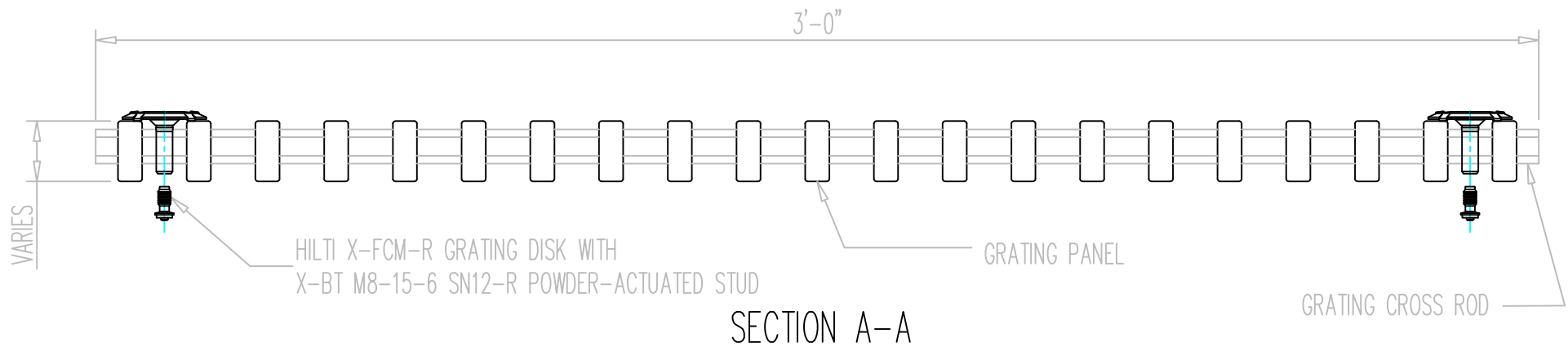
SECTION A-A



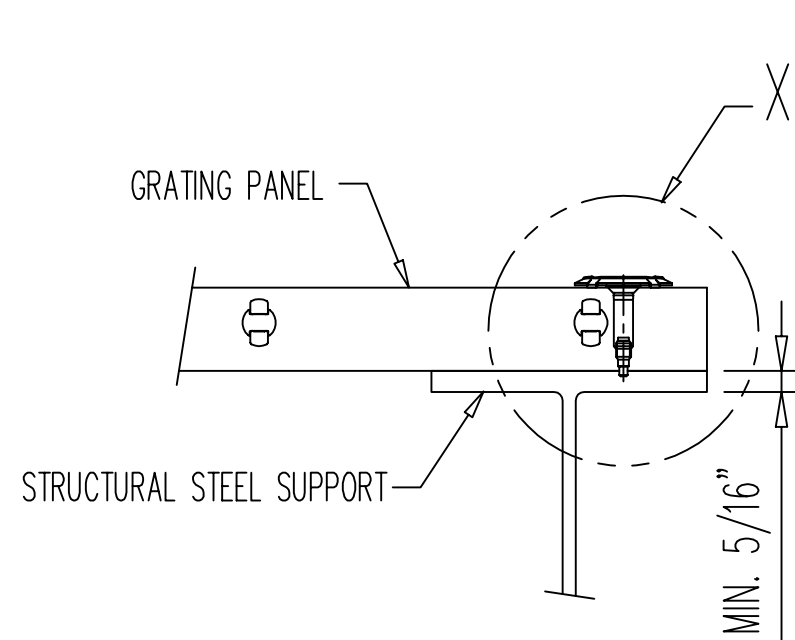
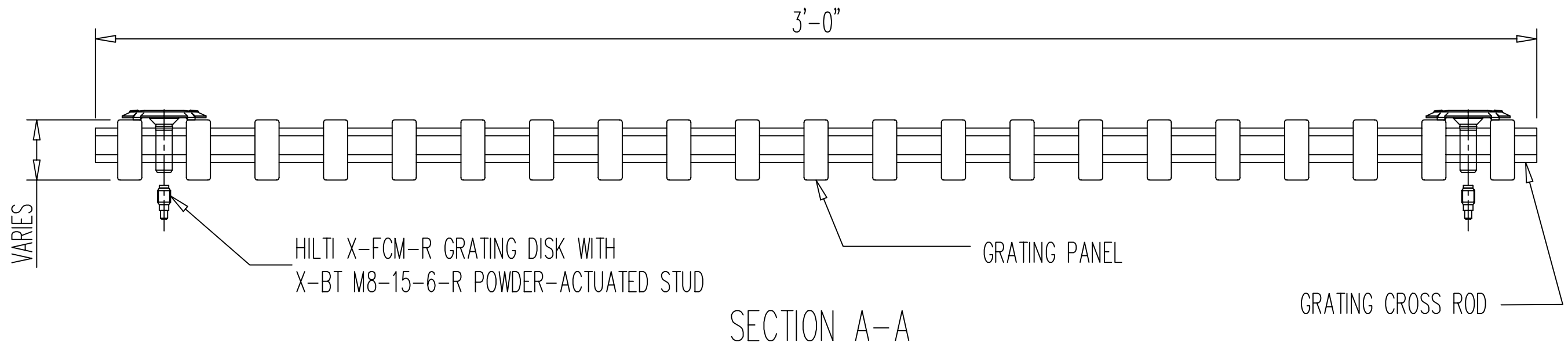
GRATING DISK SELECTION				
GRATING MIN.	HEIGHT MAX.	STAINLESS STEEL DISK	SCREW-IN THREADED STUD	ITEM NO.
-	-	-	X-ST-M8	377074
1"	1-3/16"	X-FCM-R25/30	↓	247181
1-1/4"	1-1/4"	X-FCM-R 1-1/4		247184
1-3/8"	1-9/16"	X-FCM-R35/40		247182
1-3/4"	2"	X-FCM-R45/50		247183



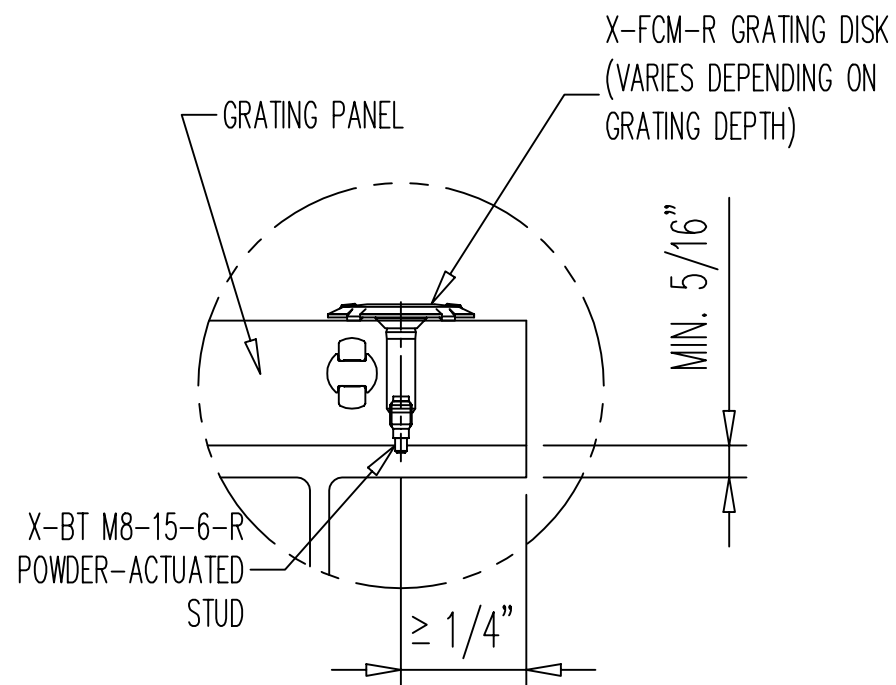
GRATING DISK SELECTION				
GRATING MIN.	HEIGHT MAX.	STAINLESS STEEL DISK	SCREW-IN THREADED STUD	ITEM NO.
-	-	-	S-BT-GR M8/7	377074
1"	1-3/16"	X-FCM-R25/30	↓	247181
1-1/4"	1-1/4"	X-FCM-R 1-1/4		247184
1-3/8"	1-9/16"	X-FCM-R35/40		247182
1-3/4"	2"	X-FCM-R45/50		247183



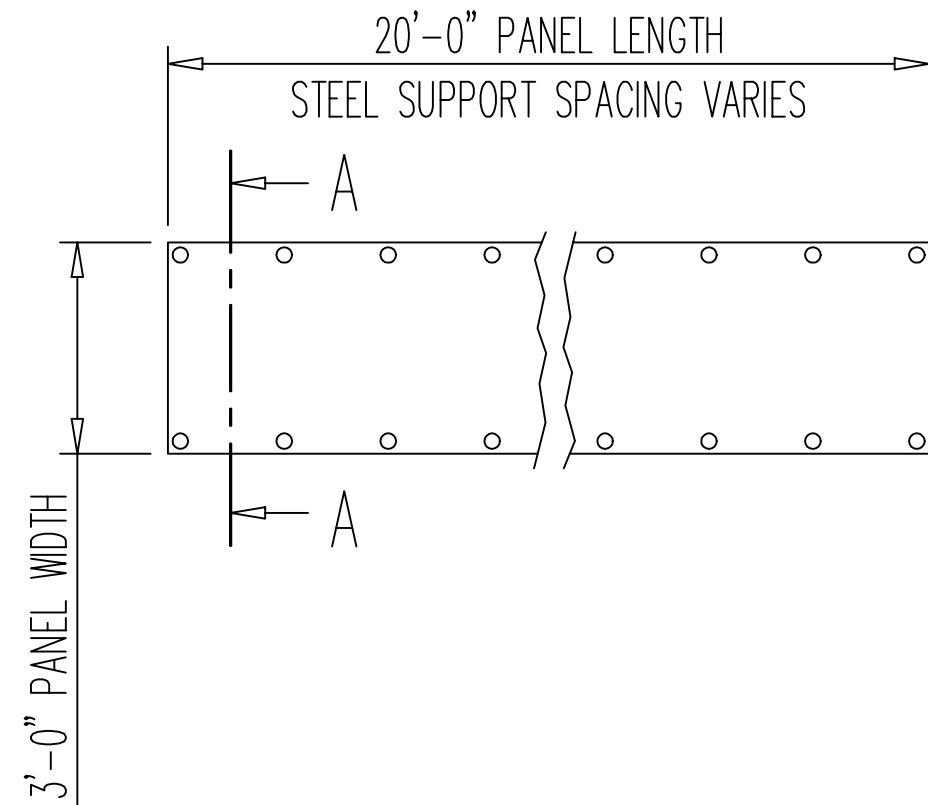
GRATING DISK SELECTION				
GRATING MIN.	HEIGHT MAX.	STAINLESS STEEL DISK	POWDER ACTUATED STUD	ITEM NO.
-	-	-	X-BT M8-15-6 SN12-R	377074
1"	1-3/16"	X-FCM-R25/30	↓	247181
1-1/4"	1-1/4"	X-FCM-R 1-1/4		247184
1-3/8"	1-9/16"	X-FCM-R35/40		247182
1-3/4"	2"	X-FCM-R45/50		247183



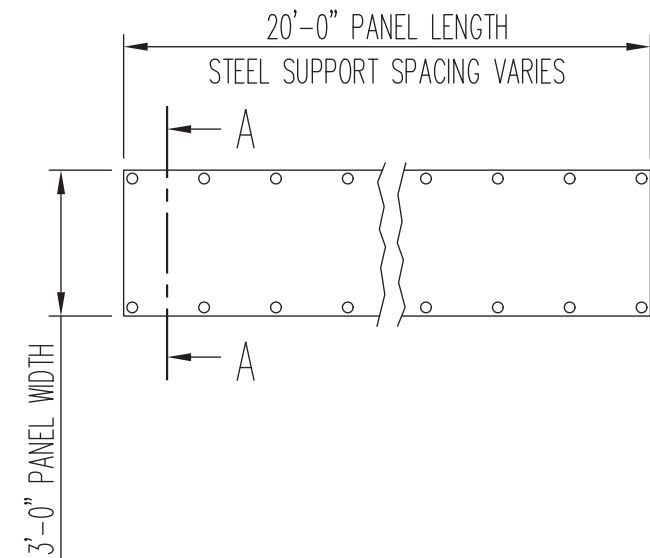
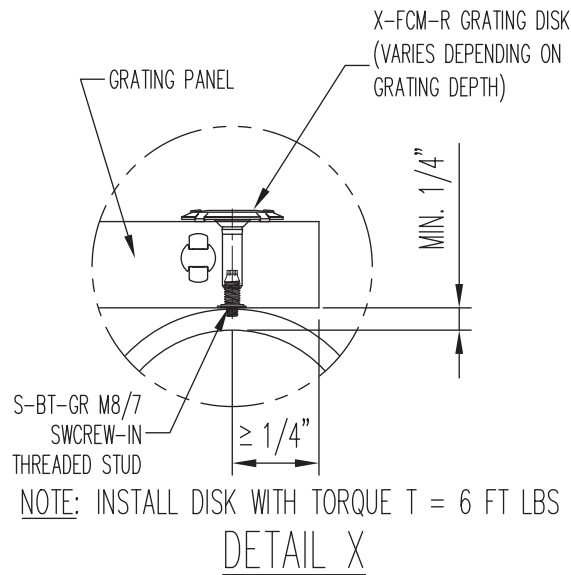
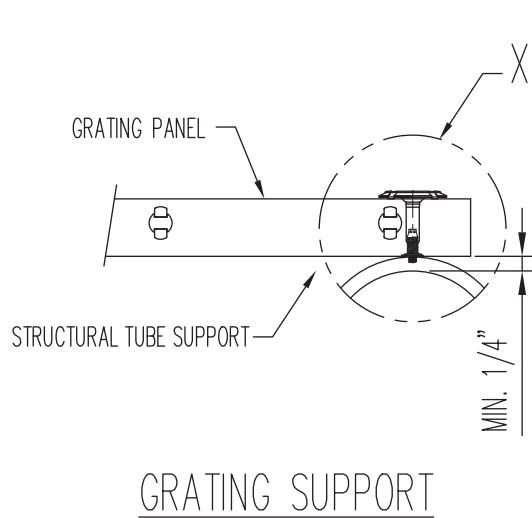
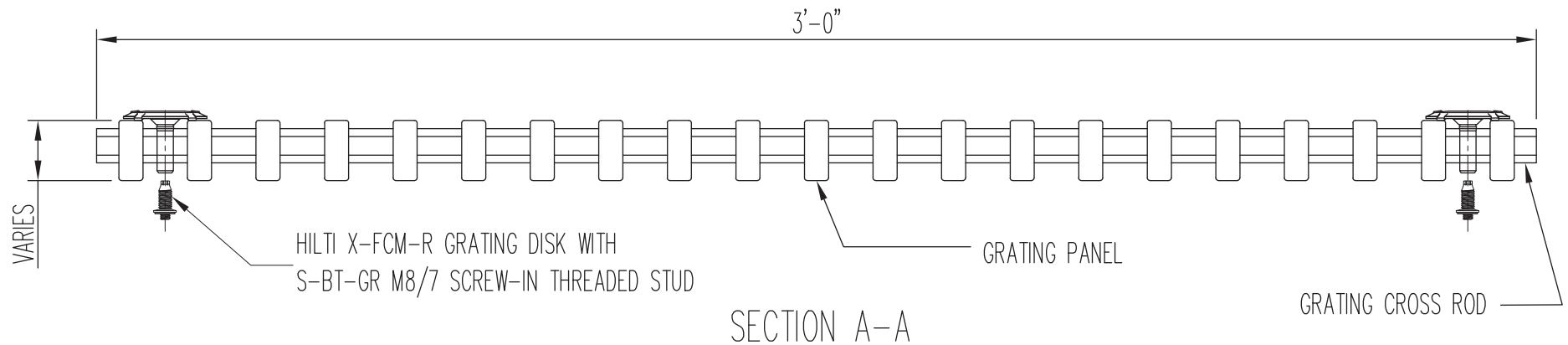
GRATING SUPPORT



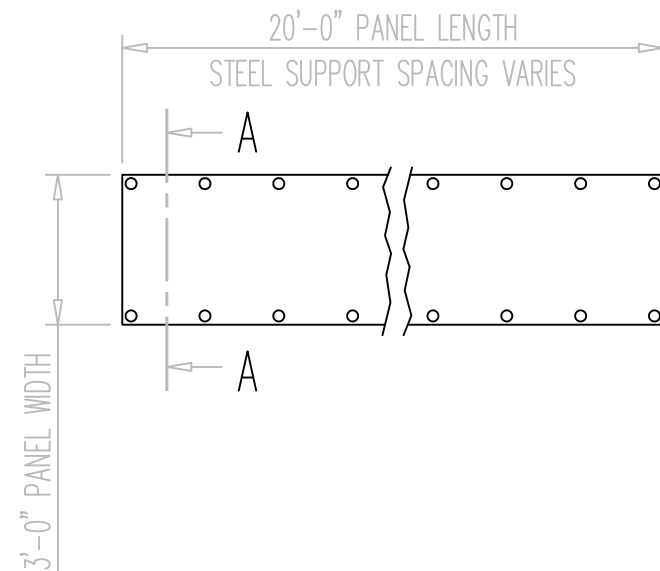
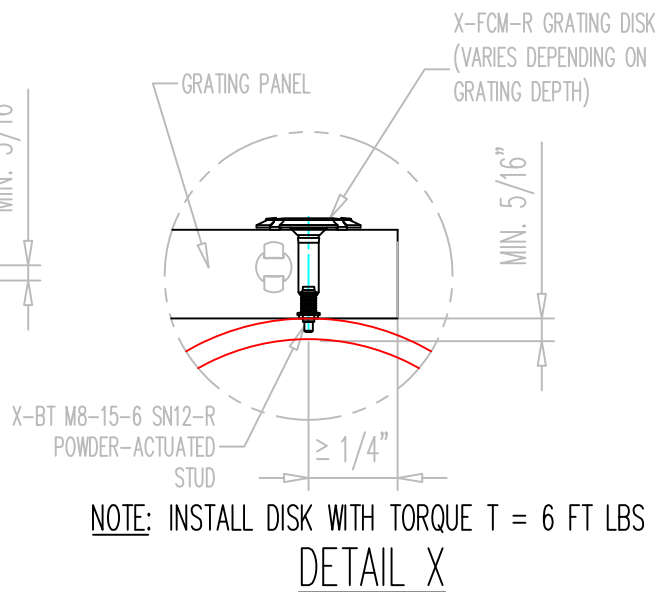
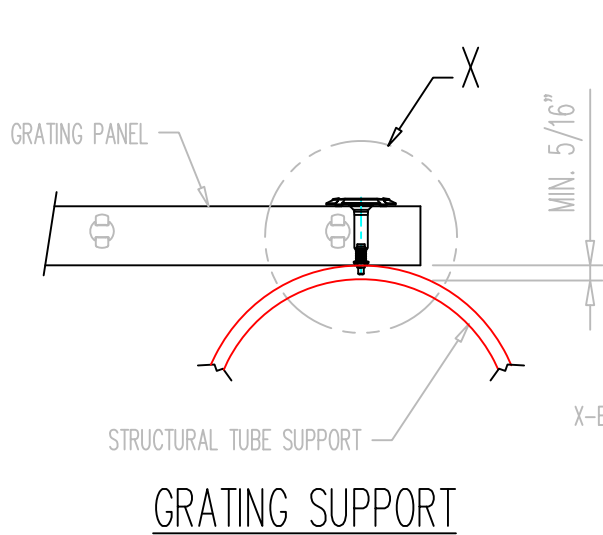
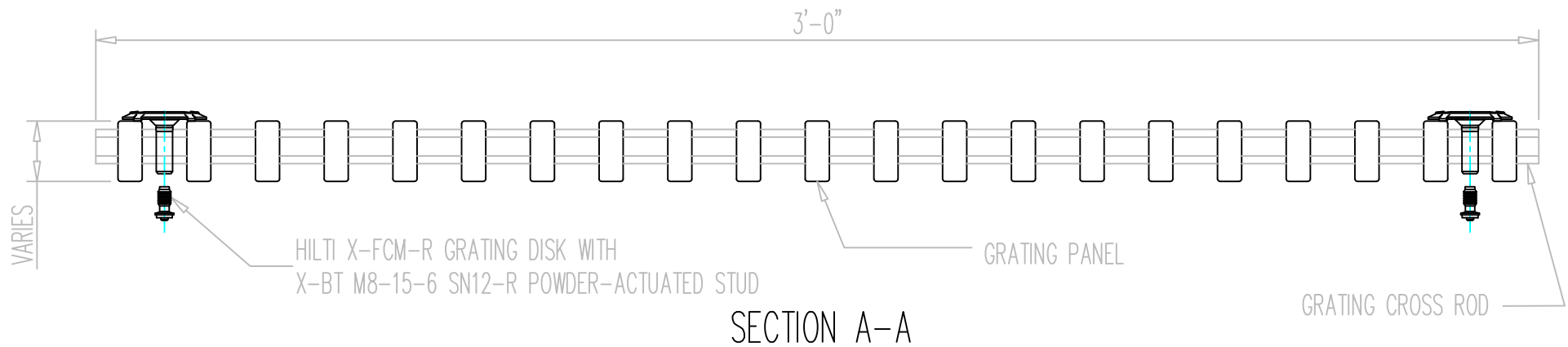
NOTE: INSTALL DISK WITH TORQUE T = 6 FT LBS
DETAIL X



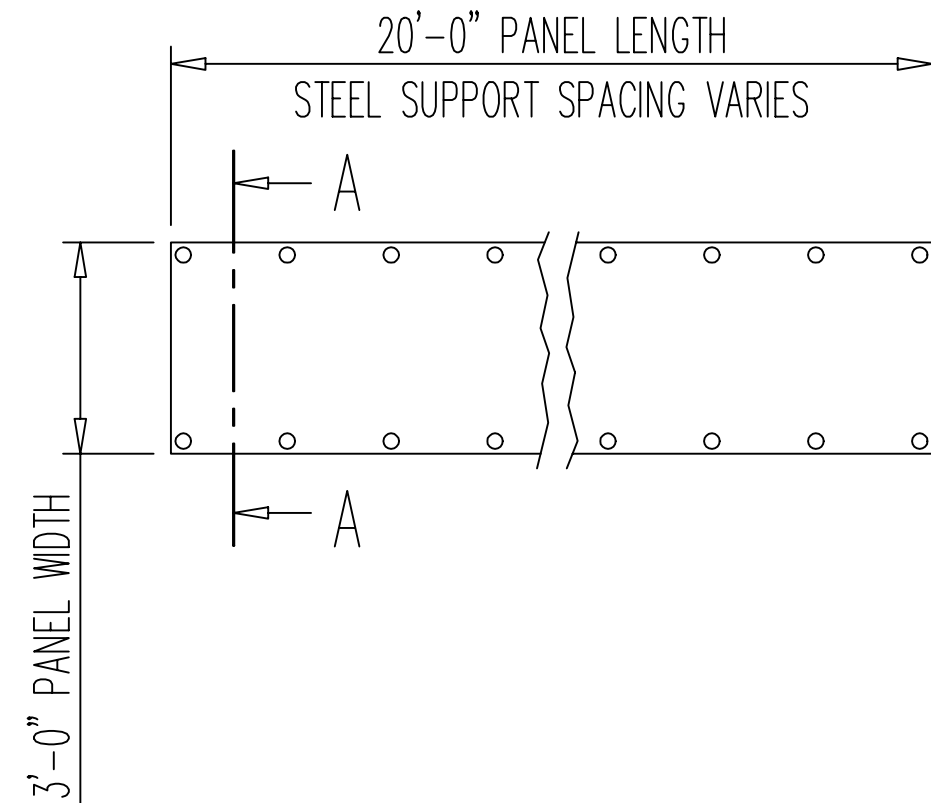
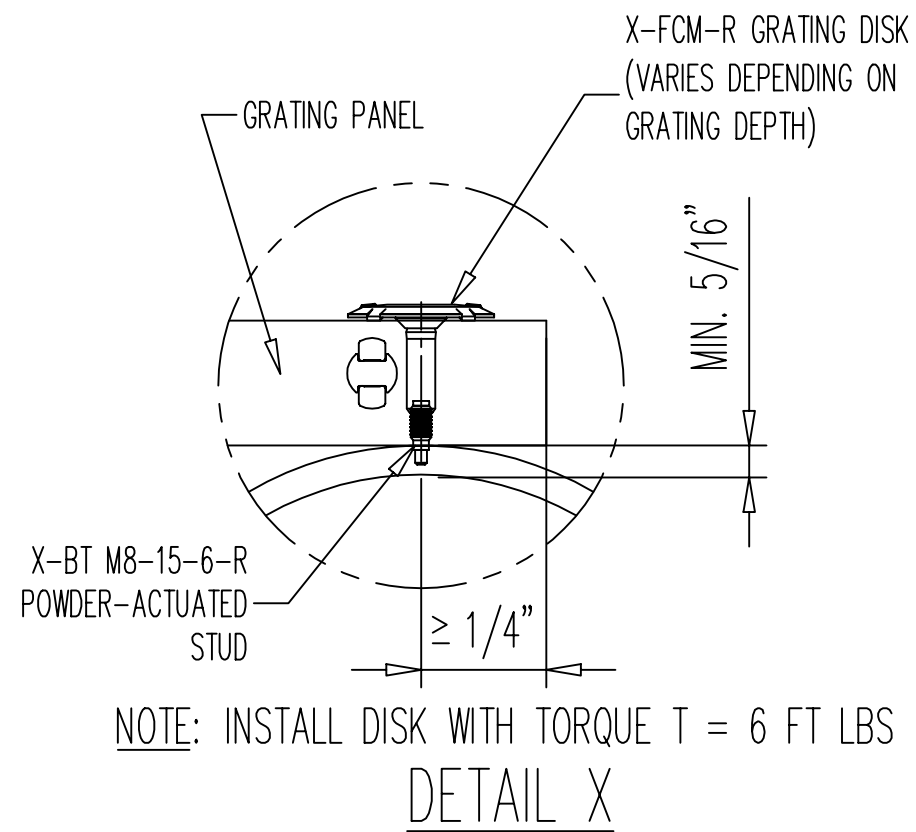
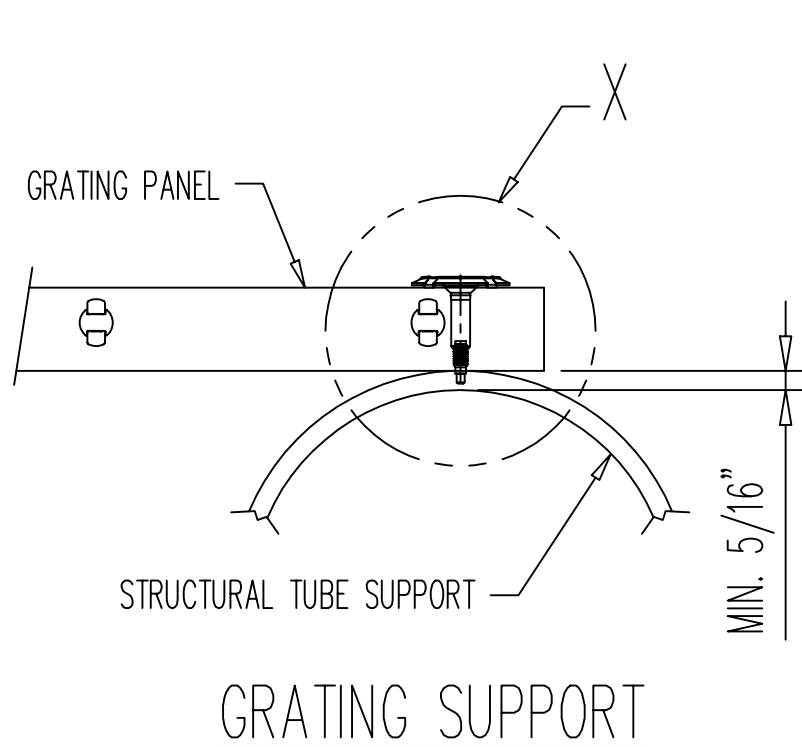
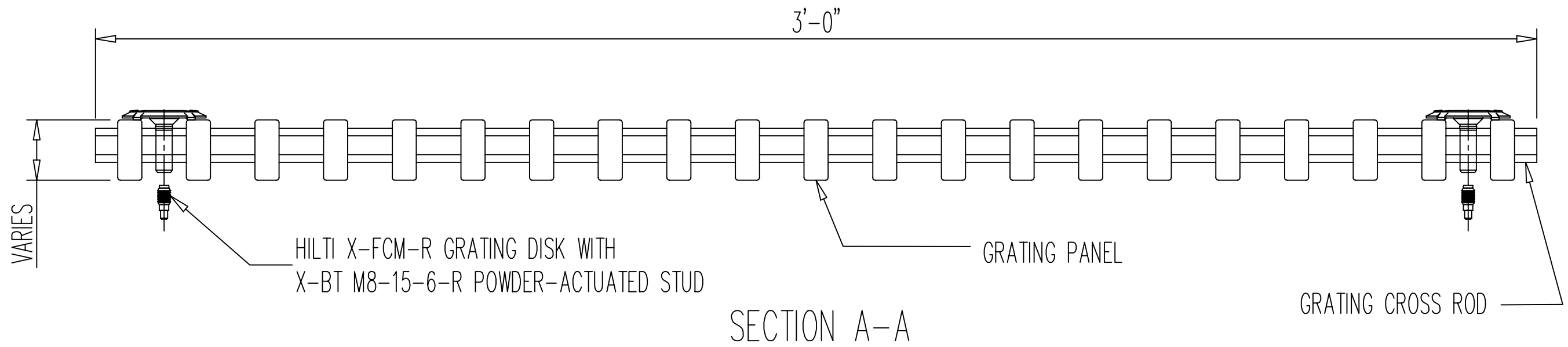
GRATING DISK SELECTION			
GRATING MIN.	HEIGHT MAX.	STAINLESS STEEL DISK	POWDER ACTUATED STUD
-	-	-	X-BT M8-15-6-R
1"	1-1/4"	X-FCM-R25/30	↓
1-3/8"	1-9/16"	X-FCM-R35/40	
1-3/4"	2"	X-FCM-R45/50	



GRATING DISK SELECTION				
GRATING MIN.	HEIGHT MAX.	STAINLESS STEEL DISK	SCREW-IN THREADED STUD	ITEM NO.
-	-	-	S-BT-GR M8/7	377074
1"	1-3/16"	X-FCM-R25/30	↓	247181
1-1/4"	1-1/4"	X-FCM-R 1-1/4		247184
1-3/8"	1-9/16"	X-FCM-R35/40		247182
1-3/4"	2"	X-FCM-R45/50		247183

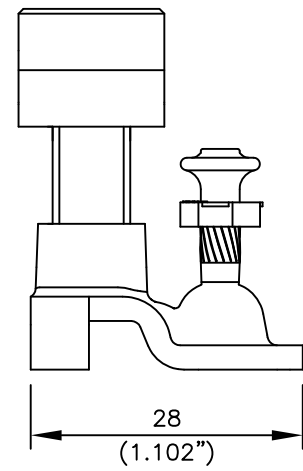
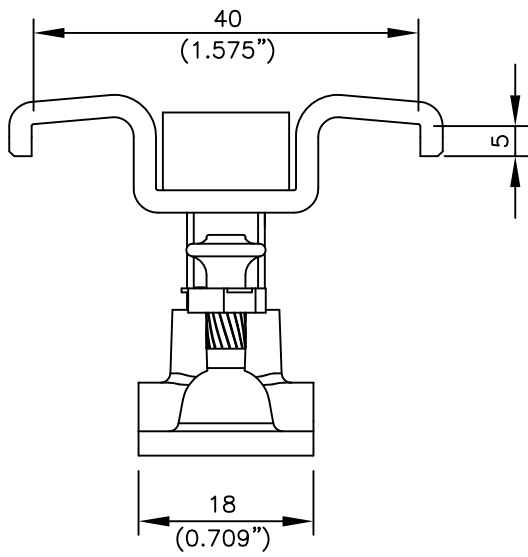


GRATING DISK SELECTION				
GRATING MIN.	HEIGHT MAX.	STAINLESS STEEL DISK	POWDER ACTUATED STUD	ITEM NO.
-	-	-	X-BT M8-15-6 SN12-R	377074
1"	1-3/16"	X-FCM-R25/30	↓	247181
1-1/4"	1-1/4"	X-FCM-R 1-1/4		247184
1-3/8"	1-9/16"	X-FCM-R35/40		247182
1-3/4"	2"	X-FCM-R45/50		247183



GRATING DISK SELECTION			
GRATING MIN.	HEIGHT MAX.	STAINLESS STEEL DISK	POWDER ACTUATED STUD
-	-	-	X-BT M8-15-6-R
1"	1-1/4"	X-FCM-R25/30	↓
1-3/8"	1-9/16"	X-FCM-R35/40	
1-3/4"	2"	X-FCM-R45/50	

HILTI X-GR GRATING FASTENING SYSTEM ASSEMBLY



FASTENER NOMENCLATURE	GRATING HEIGHT IN (mm)
X-GR 25/30	0.98" – 1.18" (25–30)
X-GR 1 1/4"	1.06" – 1.26" (27–32)
X-GR 35/40	1.38" – 1.57" (35–40)