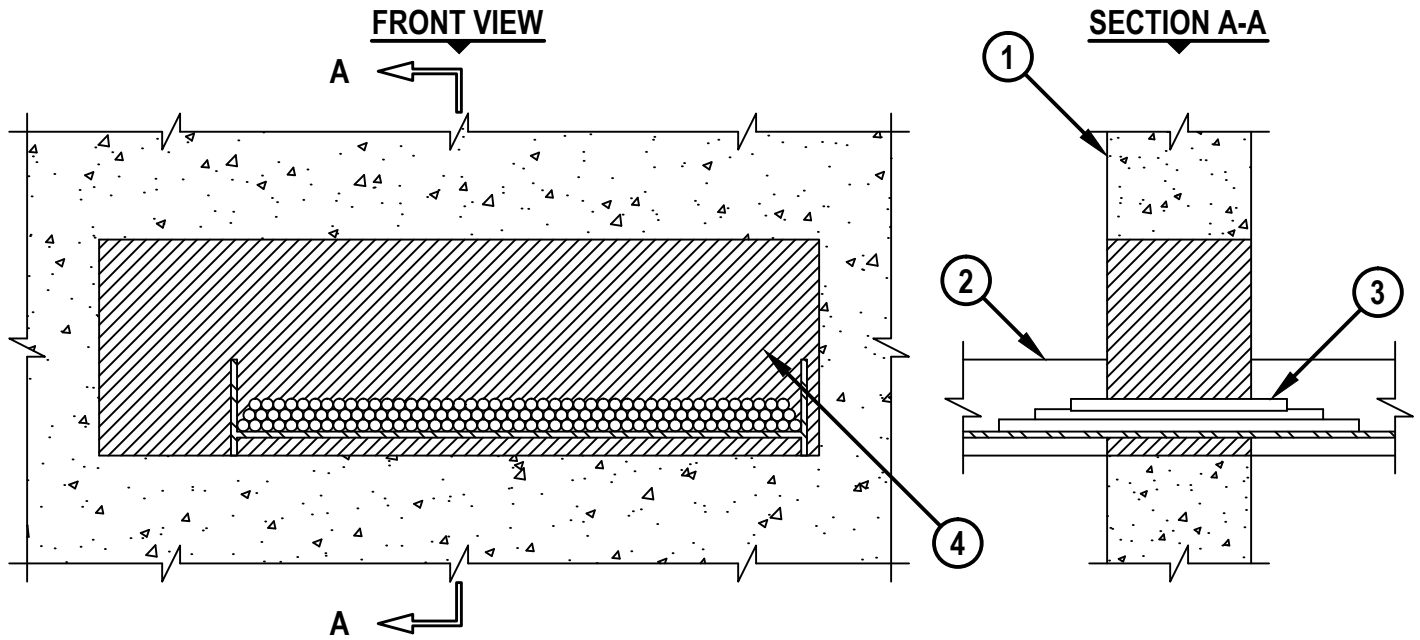


CABLE TRAY THROUGH CONCRETE WALL OR BLOCK WALL ASSEMBLY

F-RATING = 1 AND 2-HR.

T-RATING = 0-HR.

WJ4030b.011112



1. CONCRETE WALL ASSEMBLY (1-HR. OR 2-HR. FIRE-RATING) (2-HR. SHOWN) :
 - A. LIGHTWEIGHT OR NORMAL WEIGHT CONCRETE WALL (MIN. 4-3/4" THICK, FOR A 1-HR. FIRE-RATING).
 - B. LIGHTWEIGHT OR NORMAL WEIGHT CONCRETE WALL (MIN. 6" THICK, FOR A 2-HR. FIRE-RATING).
 - C. ANY UL/cUL CLASSIFIED SOLID OR FILLED CONCRETE BLOCK WALL.
2. ALUMINUM OPEN LADDER CABLE TRAY (MAXIMUM SIZE : 24" x 4").
3. CABLES TO CONSIST OF ANY COMBINATION OF THE FOLLOWING :
 - A. MAXIMUM 300 PAIR NO. 24 AWG TELEPHONE CABLE WITH PVC JACKET.
 - B. MAXIMUM 500 KCMIL SINGLE CONDUCTOR POWER CABLE WITH PVC JACKET.
 - C. MAXIMUM 3/8" DIAMETER FIBER-OPTIC CABLE WITH PVC JACKET.
 - D. MAXIMUM 3/C NO. 12 AWG METAL-CLAD CABLE.
4. HILTI CP 620 FIRE FOAM :
 - A. MINIMUM 4-3/4" THICKNESS, FOR A 1-HR. FIRE-RATING.
 - B. MINIMUM 6" THICKNESS, FOR A 2-HR. FIRE-RATING.

NOTES : 1. MAXIMUM AREA OF OPENING = 270 SQ. IN., WITH A MAXIMUM DIMENSION OF 30".
 2. ANNULAR SPACE = MINIMUM 0", MAXIMUM 5".
 3. MAXIMUM AREA OF CABLES SHALL BE 45% OF CROSS-SECTIONAL AREA OF CABLE TRAY.
 4. [OPTIONAL - NOT SHOWN] HILTI CFS-BL FIRESTOP BLOCK OR HILTI FS 657 FIRE BLOCK (FIRMLY PACKED AND CENTERED WITHIN WALL ASSEMBLY) MAY BE APPLIED IN A SINGLE LAYER ABOVE CABLES WITHIN CABLE TRAY (2" THICK x 8" WIDE x 5" DEEP).



HILTI, Inc.
 Tulsa, Oklahoma USA (800) 879-8000

Sheet	1 of 1
Scale	1/8" = 1"
Date	Jan. 11, 2012

Drawing No.
WJ
4030b