

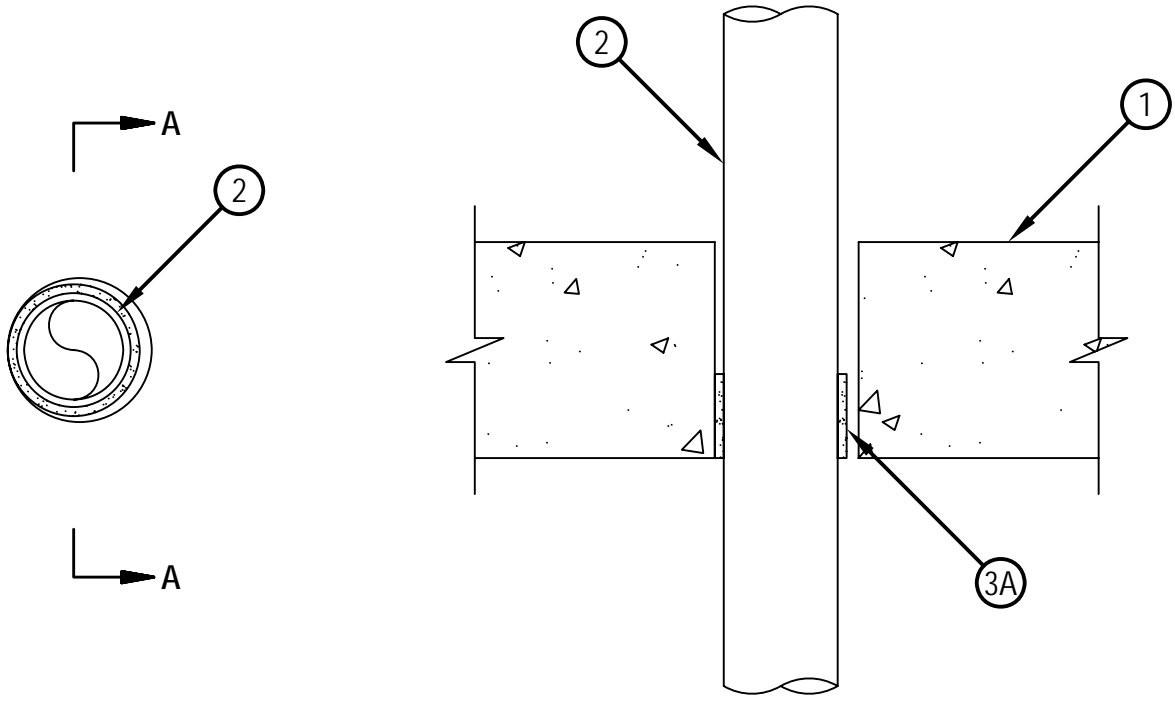


Classified by
Underwriters Laboratories, Inc.
to UL 1479 and CAN/ULC-S115

System No. C-AJ-1572

F Rating - 2 Hr
T Rating - 3/4 Hr

CAJ 1572



SECTION A-A



Hilti Firestop Systems

Reproduced by HILTI, Inc. Courtesy of
Underwriters Laboratories, Inc.
May 08, 2007



Classified by
Underwriters Laboratories, Inc.
to UL 1479 and CAN/ULC-S115

System No. C-AJ-1572

F Rating - 2 Hr
T Rating - 0 Hr
FH Rating - 0 Hr
FTH Rating - 0 Hr

CAJ 1572

1. Floor or Wall Assembly — Min 4-1/2 in. (114 mm) thick reinforced lightweight or normal weight (100-150 pcf or 1600-2400 kg/m³) concrete. Wall may also be constructed of any UL Classified Concrete Blocks*. Max diam of opening is 3 in. (76 mm).

See Concrete Blocks (CAZT) category in the Fire Resistance Directory for names of manufacturers.

2. Through Penetrant — One metallic pipe or conduit to be installed either concentrically or eccentrically within the firestop system. The annular space between the through penetrant and the periphery of the opening shall be min 3/16 in. (5 mm) to max 7/16 in. (11 mm). Through penetrant to be rigidly supported on both sides of floor or wall assembly. The following types and sizes of metallic pipe or conduit may be used:

- A. Steel Pipe — Nom 2 in. (51 mm) diam (or smaller) Schedule 10 (or heavier) steel pipe.
- B. Iron Pipe — Nom 2 in. (51 mm) diam (or smaller) cast or ductile iron pipe.
- C. Steel Conduit — Nom 2 in. (51 mm) diam (or smaller) rigid steel conduit or steel electrical metallic tubing (EMT).

3. Firestop System — The firestop system shall consist of the following:

A. Fill, Void or Cavity Material* — Wrap Strip — One layer of intumescent wrap strip is continuously wrapped around the pipe with ends butted and held in place with integrated tape. Wrap strip installed flush with bottom surface of floor or both surfaces of wall. Size of wrap strip for a given size penetrant are shown in the table below.

HILTI CONSTRUCTION CHEMICALS, DIV OF
HILTI INC — CP648-S-1.5" US, CP648-S-2" US Wrap Strip

Product Designation	Pipe Size, in. (mm)	Annular Space Min, in. (mm)	Annular Space Max, in. (mm)	Nom Wrap Strip Thick, in. (mm)	Nom Wrap Strip Width, in. (mm)
CP648-S-1.5" US	1-1/2 (38)	3/16 (5)	7/16 (11)	0.18 (4.6)	1 (25)
CP648-S-2" US	2 (51)	3/16 (5)	7/16 (11)	0.18 (4.6)	1 (25)

*Bearing the UL Classification Mark



Hilti Firestop Systems

Reproduced by HILTI, Inc. Courtesy of
Underwriters Laboratories, Inc.
May 08, 2007