

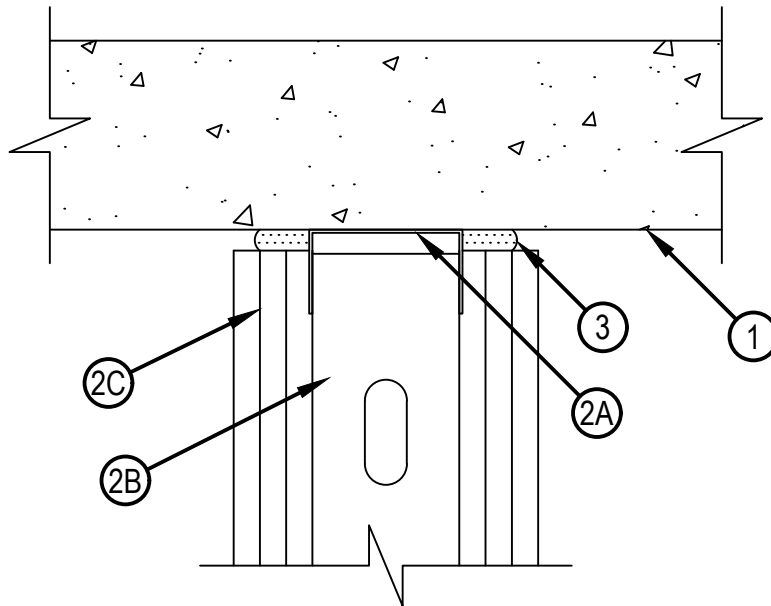


Classified by Underwriters Laboratories, Inc. to UL 2079 and CAN/ULC-S115

System No. HW-D-0905

HW-D-0905

ANSI/UL2079	CAN/ULC S115
Assembly Ratings — 2 and 3 Hr (See Item 2)	F Rating — 2 and 3 Hr (See Item 2)
Nominal Joint Width — 1/2 in. or 3/4 in. (for 2 Hr), 5/8 in. or 15/16 in. (for 3 Hr) (See Item 3)	FT Rating — 2 and 3 Hr (See Item 2)
Class II Movement Capabilities — 50% Compression or Extension or 66% compression only	FH Rating — 2 and 3 Hr (See Item 2)
L Rating at Ambient — Less than 1 CFM/Lin Ft	FTH Rating — 2 and 3 Hr (See Item 2)
L Rating at 400°F — Less than 1 CFM/Lin Ft	Nominal Joint Width - 13 mm or 19 mm (for 2 Hr), or 16 mm or 24 mm (for 3 hr) (See Item 3)
	Class II Movement Capabilities — 50% Compression or Extension or 66% compression only
	L Rating at Ambient — Less than 1.55 L/s/lin m
	L Rating at 204°C — Less than 1.55 L/s/lin m



Reproduced by HILTI, Inc. Courtesy of Underwriters Laboratories, Inc. April 30, 2020

System No. HW-D-0905

HWD 0905

1. Floor Assembly — Min 4-1/2 in. (114 mm) thick reinforced lightweight or normal weight (100-150 pcf or 1600-2400 kg/m³) structural concrete.
 2. Wall Assembly — The 2 or 3 h fire-rated gypsum board /steel stud wall assembly shall be constructed of the materials and in the manner specified in the individual U400, V400 or W400 Series Wall and Partition Design in the UL Fire Resistance Directory and shall include the following construction features:
 - A. Steel Floor and Ceiling Runners — Floor and ceiling runners of wall assembly shall consist of min No. 25 gauge (floor runners) galv or min No. 20 gauge (ceiling runners) galv steel channels sized to accommodate steel studs (Item 2B). Flange height of ceiling runner shall be min 1/4 in. (6 mm) greater than max extended joint width. Ceiling runner secured to concrete floor slab with steel masonry anchors or steel fasteners spaced 24 in. (610 mm) OC.
 - A1. Light Gauge Framing* — Slotted Ceiling Runner — As an alternate to the ceiling runner in Item 2A, slotted ceiling runner to consist of min No. 20 gauge galv steel channel with slotted flanges having flange height of min 2 in. (51 mm) and sized to accommodate the steel studs (Item 2B). Slotted ceiling runner secured to concrete floor slab with steel masonry anchors or steel fasteners spaced max 24 in. (610 mm) OC.

BRADY CONSTRUCTION INNOVATIONS INC, DBA SLIPTRACK SYSTEMS — SLP-TRK
CALIFORNIA EXPANDED METAL PRODUCTS CO — CST
CLARKDIETRICH BUILDING SYSTEMS — Types SLT, SLT-H
MARINO/WARE, DIV OF WARE INDUSTRIES INC — Type SLT
METAL-LITE INC — The System
SCAFCO STEEL STUD MANUFACTURING CO — Slotted Track
TELLING INDUSTRIES L L C — True-Action Deflection Track

 - B. Studs — Steel studs to be min 2-1/2 in. (64 mm) wide. Studs cut 3/4 to 1 in. (19 to 25 mm) less in length than assembly height with bottom nesting in and resting on floor runner and with top nesting in ceiling runner without attachment. When slotted ceiling runner (Item 2A1) is used, steel studs secured to slotted ceiling runner with No. 8 by 1/2 in. (13 mm) long wafer head steel screws at mid-height of slot on each side of wall. Stud spacing not to exceed 24 in. (610 mm) OC. Stud spacing not to exceed 24 in. (610 mm) OC.
 - C. Gypsum Board* — For 2 hr assembly, two layers of 5/8 in. (16 mm) thick gypsum board as required in the individual Wall and Partition Design. For 3 hr assembly, three layers of 5/8 in. (16 mm) thick gypsum board as required in the individual Wall and Partition Design. For 2 Hr assemblies, a max 3/4 in. (19 mm) gap shall be maintained between the top of gypsum board and the bottom of the concrete floor. For 3 Hr assemblies, the max gap may be 15/16 in. (24 mm). The screws attaching the gypsum board to studs at the top of the wall shall be located 1.5 in. (38 mm) to 3-1/2 in. (89 mm) below the bottom edge of the ceiling runner.
- The hourly ratings of the joint system are dependent on the hourly rating of the wall.
3. Fill, Void or Cavity Material* — Top Track Seal — For 2 Hr assemblies, when max separation between the bottom of floor and top of wall is 1/2 in. (13 mm), the joint system is designed to accommodate a max 50 percent compression or extension from its installed width. When max separation between the bottom of floor and top of wall is 3/4 in. (19 mm), the joint system is designed to accommodate a max 66% compression only from its installed width. For 3 Hr assemblies, when max separation between the bottom of floor and top of wall is 5/8 in. (16 mm), the joint system is designed to accommodate a max 50 percent compression or extension from its installed width. When max separation between the bottom of floor and top of wall is 15/16 in. (23 mm), the joint system is designed to accommodate a max 66% compression only from its installed width. Factory supplied foam seal cut in half lengthwise at dotted line or tear strip, and the halves then folded and pushed into the joint to be friction fit and to be flush against the ceiling runner at each side of wall. Butt joints in CFS-TTS shall be compressed min 1/4 in. (6 mm).
- HILTI CONSTRUCTION CHEMICALS, DIV OF HILTI INC — CFS-TTS 212, CFS-TTS 358, CFS-TTS 600, CFS-TTS R or CFS-TTS-OS

* Indicates such products shall bear the UL or cUL Certification Mark for jurisdictions employing the UL or cUL Certification (such as Canada), respectively.



Hilti Firestop Systems

Reproduced by HILTI, Inc. Courtesy of
Underwriters Laboratories, Inc.
April 30, 2020

Page: 2 of 2