

FIRESTOP COLLAR CP 643N

Product description

- A ready-to-use firestop collar, made of a galvanized steel housing and intumescent inserts for firestopping combustible pipes

Product features

- Ready-to-use collar
- No construction required
- Fast installation time
- Adjustable mounting tabs
- Low profile for tight installations

Areas of application

- Firestopping combustible pipes up to 6" diameter in penetrations through fire walls and floors
- Suitable for the following pipe materials: PVC, CPVC, ABS, PVDF, PP and FRPP

For use with

- Concrete, masonry, wood floor and gypsum wall assemblies
- Wall and floor assemblies rated up to 4 hours

Types of installation

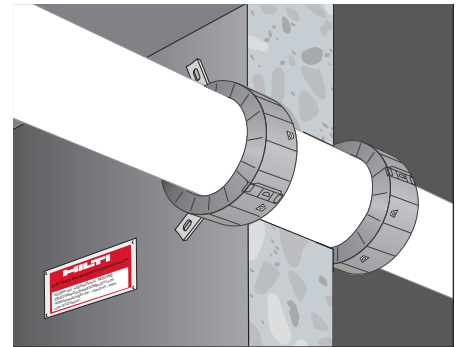
- Wall: two collars, one on each side
- Floor: one collar on underside (bottom)

Example

- Waste water pipes
- Fresh water pipes

Installation instructions

- See Hilti literature or third-party listings for complete application and installation details



Technical Data

Description	Pipe outside dia. (in.)	Collar outside dia. (in.)	Collar Height (in.)	No. of hooks and fasteners
CP 643-50/1.5"N	1.4-2.0	2.8	0.9	2
CP 643-63/2"N	2.0-2.5	3.4	1.3	2
CP 643-90/3"N	2.6-3.6	4.9	1.7	3
CP 643-110/4"N	3.6-4.5	6.0	1.9	3
CP 643-160/6"N	6.6	9.8	1.9	4
Temperature resistance	-4 °F to 212 °F (-20 °C to 100 °C)			
Application temperature	23 °F to 122 °F (-5 °C to 50 °C)			
Storage temperature	23 °F to 122 °F (-5 °C to 50 °C)			
Intumescent activation	Approx. 482 °F (250 °C)			
Expansion ratio (unrestricted)	Up to 1:17			
LEED VOC	7.6G/L			
Shelf	Not relevant			
Mold and mildew performance	Class 0 (ASTM G21-96)			
Tested in accordance with	UL 1479, ASTM E 814, ASTM G21, CAN/ULC-S115			

