

UL SYSTEM NO. F-A-2313

PLASTIC PIPE THROUGH CONCRETE FLOOR OVER METAL DECKING ASSEMBLY

F-RATING = 2-HR.

T-RATING = 0-HR. OR 2-HR.

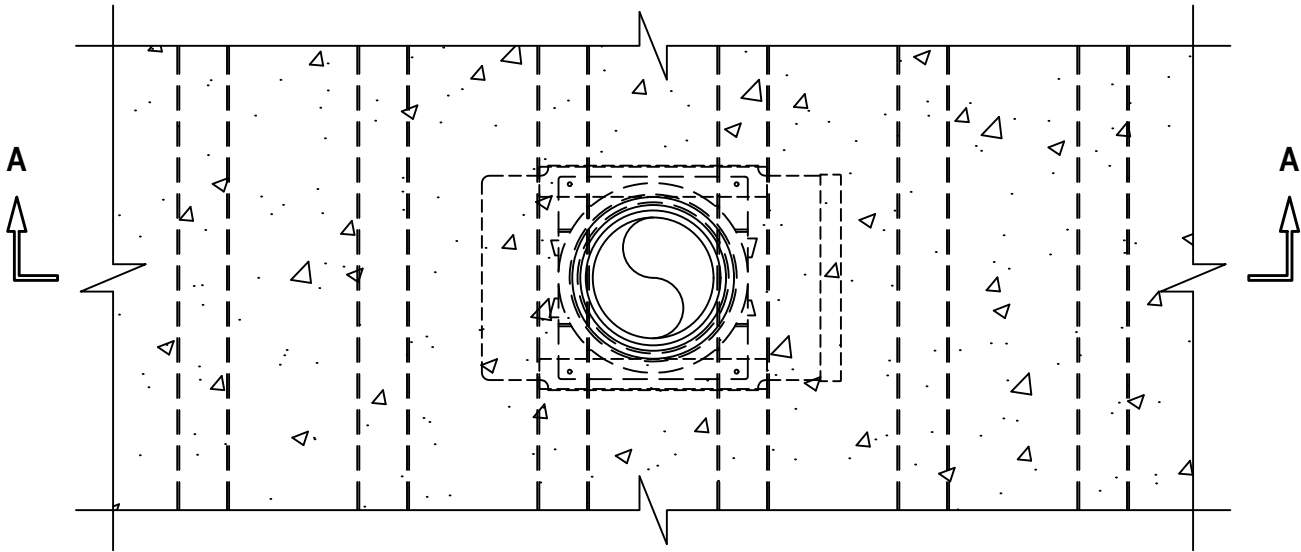
L-RATING AT AMBIENT = LESS THAN 1 CFM / SQ FT (SEE NOTE NO. 3 BELOW)

L-RATING AT 400°F = LESS THAN 1 CFM / SQ FT (SEE NOTE NO. 3 BELOW)

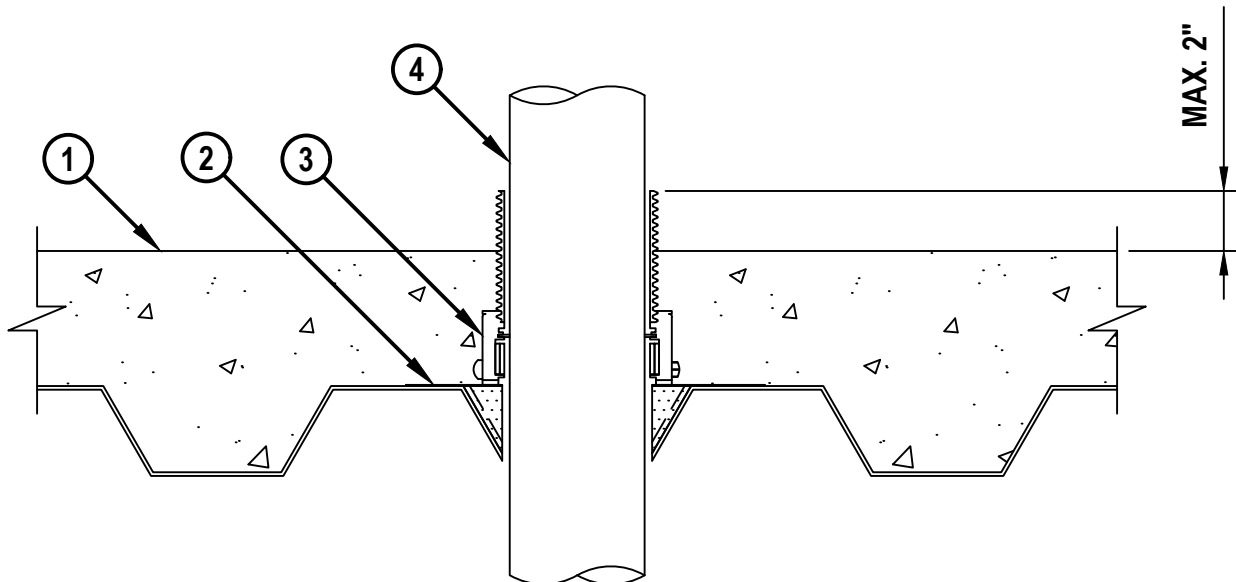
W-RATING = CLASS 1 (SEE NOTES NO. 1 AND 2 BELOW)

FA2313a.060619

TOP VIEW



SECTION A-A



HILTI, Inc.
Plano, Texas USA (800) 879-8000

Sheet 1 of 2
Scale 5/32" = 1"
Date June 06, 2019

Drawing No.
**FA
2313a**

Saving Lives through Innovation and Education

PLASTIC PIPE THROUGH CONCRETE FLOOR OVER METAL DECKING ASSEMBLY

F-RATING = 2-HR.

T-RATING = 0-HR. OR 2-HR.

L-RATING AT AMBIENT = LESS THAN 1 CFM / SQ FT (SEE NOTE NO. 3 BELOW)

L-RATING AT 400°F = LESS THAN 1 CFM / SQ FT (SEE NOTE NO. 3 BELOW)

W-RATING = CLASS 1 (SEE NOTES NO. 1 AND 2 BELOW)

FA2313a.060619

1. LIGHTWEIGHT OR NORMAL WEIGHT CONCRETE FLOOR ASSEMBLY (MINIMUM 4-1/2" THICK) OVER METAL DECKING (UL/cUL CLASSIFIED D900 SERIES) WITH 2" OR 3" FLUTED DECKS (2-HR. FIRE-RATING).
2. HILTI CFS-CID MD PLT [W2" OR W3"] METAL DECK PLATFORM SECURED TO DECK WITH ONE FASTENER IN EACH CORNER.
3. HILTI CFS-CID MD P [2", 3", OR 4"]/[2.5"/4"] FIRESTOP CAST-IN DEVICE FOR METAL DECK SECURED TO HILTI CFS-CID MD PLT METAL DECK PLATFORM WITH SCREWS.
4. PENETRATING ITEM TO BE ONE OF THE FOLLOWING (CLOSED OR VENTED PIPING SYSTEMS EXCEPT AS INDICATED) :
 - A. MAXIMUM 4" NOMINAL DIAMETER PVC PLASTIC PIPE (SCHEDULE 40) (CELLULAR OR SOLID CORE).
 - B. MAXIMUM 4" NOMINAL DIAMETER CPVC PLASTIC PIPE (SDR 13.5) (CLOSED PIPING SYSTEM ONLY).

NOM PIPE DIAMETER	PRODUCT DESCRIPTION	T-RATING, HR.
1-1/2 IN. TO 2 IN.	CFS-CID MD P 2"	2
3 IN.	CFS-CID MD P 3"	2
3 IN.	CFS-CID MD P 4"	0
4 IN.	CFS-CID MD P 4"	2

NOTES :

1. HILTI IPS OR CPS TOP SEAL SHALL BE USED ON ALL PIPES SMALLER THAN 1-1/2" WITH HILTI 2" CAST-IN DEVICES. W-RATING APPLIED ONLY TO THE IPS TOP SEAL PLUG AND 2" PIPES, AND TO CPS TOP SEAL PLUG WITH 1/2" TO 2" PIPES AND WHEN DEVICE EXTENSIONS ARE CAST-IN.
2. FOR W-RATING, A WATER BARRIER MODULE MAY THREADED ON TOP OF CAST-IN FIRESTOP DEVICES AFTER THE HOLE IN THE FLUTED DECK HAS BEEN MADE FOR NOMINAL 2", 3", AND 4" METAL PIPES (LISTED ABOVE). W-RATING WITH WATER BARRIER MODULE ONLY APPLIED WHEN PIPE IS INSTALLED FROM THE BOTTOM OF DEVICE AND DIAMETER OF PIPE EQUALS SIZE OF DEVICE.
3. L-RATING APPLIES ONLY WHEN NOMINAL DIAMETER OF PIPE EQUALS SIZE OF DEVICE (2" PIPE IN 2" DEVICE, ETC.).
4. WHEN PIPE DIAMETER IS SMALLER THAN INDICATED ABOVE, MINIMUM 4" THICKNESS MINERAL WOOL (MIN. 4 PCF DENSITY) SHALL BE TIGHTLY PACKED INTO HILTI CFS-CID MD FLUSH WITH TOP SURFACE OF DEVICE.



HILTI, Inc.
Plano, Texas USA (800) 879-8000

Sheet	2 of 2
Scale	-
Date	June 06, 2019

Drawing No.
**FA
2313a**