

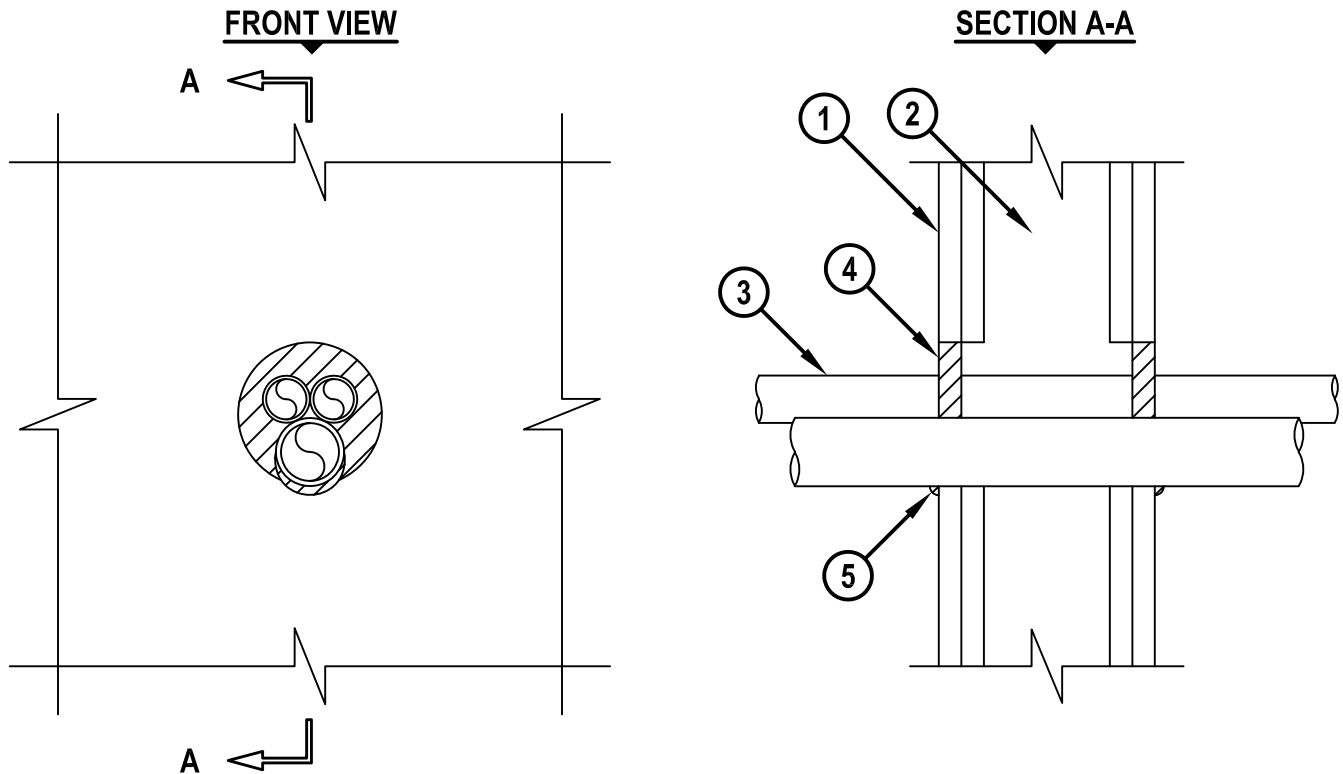
UL SYSTEM NO. W-L-2466

MULTIPLE PLASTIC PIPE THROUGH GYPSUM WALL ASSEMBLY

F-RATING = 1-HR. OR 2-HR.

T-RATING = 0-HR.

WL2466c.041818



1. GYPSUM WALL ASSEMBLY (UL CLASSIFIED U300, U400 OR V400 SERIES) (1-HR. OR 2-HR. FIRE-RATING) (2-HR. SHOWN).
2. [NOT SHOWN] WOOD STUDS TO CONSIST OF NOMINAL 2" x 4" LUMBER. STEEL STUDS TO BE MINIMUM 3-1/2" WIDE.
3. PENETRATING ITEMS TO BE ONE OR MORE OF THE FOLLOWING :
 - A. MAXIMUM 1-1/2" NOMINAL DIAMETER PVC PLASTIC PIPE (CELLULAR OR SOLID CORE) (CLOSED PIPING SYSTEM).
 - B. MAXIMUM 1-1/2" NOMINAL DIAMETER CPVC PLASTIC PIPE (CLOSED PIPING SYSTEM).
 - C. MAXIMUM 1-1/2" NOMINAL DIAMETER RIGID NONMETALLIC CONDUIT (RNC).
 - D. MAXIMUM 1" NOMINAL DIAMETER CROSS-LINKED POLYETHYLENE (PEX) TUBING (CLOSED PIPING SYSTEM).
4. MINIMUM 5/8" DEPTH HILTI FS-ONE MAX INTUMESCENT FIRESTOP SEALANT.
5. MINIMUM 1/4" BEAD HILTI FS-ONE MAX INTUMESCENT FIRESTOP SEALANT APPLIED AT POINT OF CONTACT.

NOTES : 1. MAXIMUM DIAMETER OF OPENING = 4".
2. ANNULAR SPACE = MINIMUM 0", MAXIMUM 1".
3. PVC, RNC = SCHEDULE 40; CPVC = SDR 13.5; PEX = SDR 9.



HILTI, Inc.
Plano, Texas USA (800) 879-8000

Sheet	1 of 1
Scale	3/16" = 1"
Date	Apr. 18, 2018

Drawing No.
WL
2466c

Saving Lives through Innovation and Education