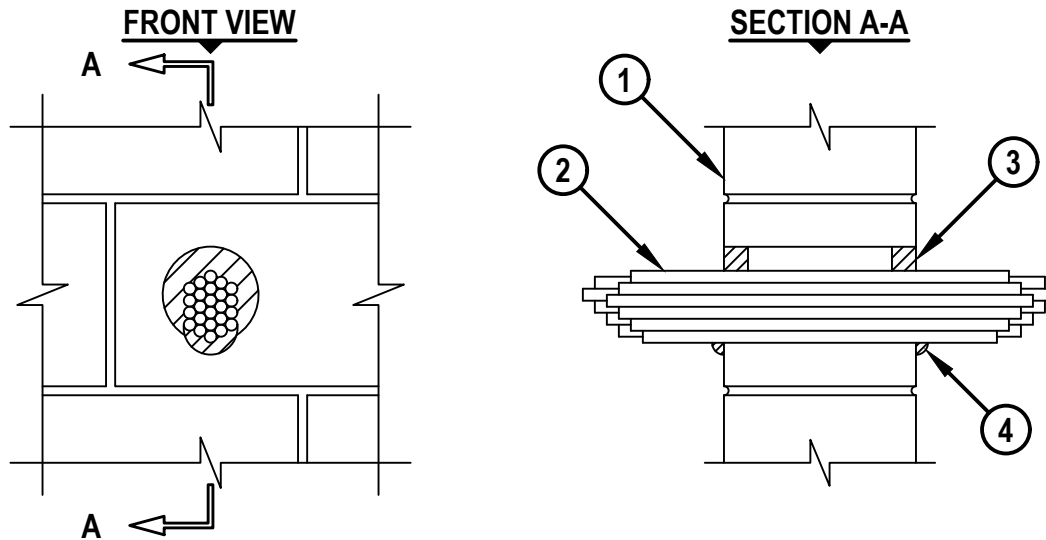


CABLE BUNDLE THROUGH CONCRETE WALL OR BLOCK WALL ASSEMBLY

F-RATING = 2-HR. OR 3-HR.

T-RATING = 0-HR.



WJ3190d.111816

1. CONCRETE WALL ASSEMBLY (2-HR. OR 3-HR. FIRE-RATING) :
 - A. LIGHTWEIGHT OR NORMAL WEIGHT CONCRETE WALL (MINIMUM 6" THICK).
 - B. ANY UL/cUL CLASSIFIED CONCRETE BLOCK WALL.
2. CABLE BUNDLE TO BE A COMBINATION OF ANY OF THE FOLLOWING :
 - A. MAXIMUM 7/C NO. 12 AWG COPPER CONDUCTOR CONTROL CABLE WITH PVC INSULATION AND JACKET.
 - B. MAXIMUM 25 PAIR NO. 24 AWG TELEPHONE CABLE WITH PVC INSULATION AND JACKET.
 - C. MAXIMUM 4 PAIR NO. 22 AWG CAT 5 OR CAT 6 COMPUTER CABLE.
 - D. MAXIMUM 1/2" DIAMETER TYPE RG/U COAXIAL CABLE WITH PE INSULATION AND PVC JACKET.
 - E. MAXIMUM RG 6/U COAXIAL CABLE WITH FLUORINATED ETHYLENE INSULATION AND JACKET.
 - F. MAXIMUM 5/8" DIAMETER MULTIPLE FIBER OPTIC COMMUNICATION CABLE WITH PVC JACKET.
 - G. MAXIMUM 3/C COPPER CONDUCTOR NO. 8 AWG METAL CLAD CABLE.
 - H. MAXIMUM 3/C (+GRND) NO. 8 AWG COPPER CONDUCTOR CABLE WITH PVC INSULATION AND JACKET.
 - I. ANY CABLES, METAL-CLAD CABLE, OR ARMORED CABLE CURRENTLY CLASSIFIED UNDER THE THROUGH PENETRATING PRODUCTS CATEGORY.
3. HILTI FS-ONE MAX INTUMESCENT FIRESTOP SEALANT OR HILTI CP 606 FLEXIBLE FIRESTOP SEALANT :
 - A. MINIMUM 5/8" DEPTH REQUIRED FOR 2-HR. FIRE-RATING.
 - B. MINIMUM 1" DEPTH REQUIRED FOR 3-HR. FIRE-RATING.
4. MINIMUM 1/2" BEAD HILTI FS-ONE MAX INTUMESCENT FIRESTOP SEALANT OR HILTI CP 606 FLEXIBLE FIRESTOP SEALANT APPLIED AT CABLE BUNDLE/WALL INTERFACE ON BOTH SIDES OF WALL.

NOTES : 1. MAXIMUM DIAMETER OF OPENING = 4".
 2. ANNULAR SPACE = MINIMUM 0", MAXIMUM 7/8".
 3. CABLES TO FILL MAXIMUM 45% OF CROSS-SECTIONAL AREA OF OPENING.



HILTI, Inc.
 Plano, Texas USA (800) 879-8000

Sheet	1 of 1
Scale	1/8" = 1"
Date	Nov. 18, 2016

Drawing No.

**WJ
3190d**