



Classified by
Underwriters Laboratories, Inc.
to UL 2079 and CAN/ULC-S115

System No. HW-D-0106

Assembly Ratings — 1 and 2 Hr (See items 2 and 3)

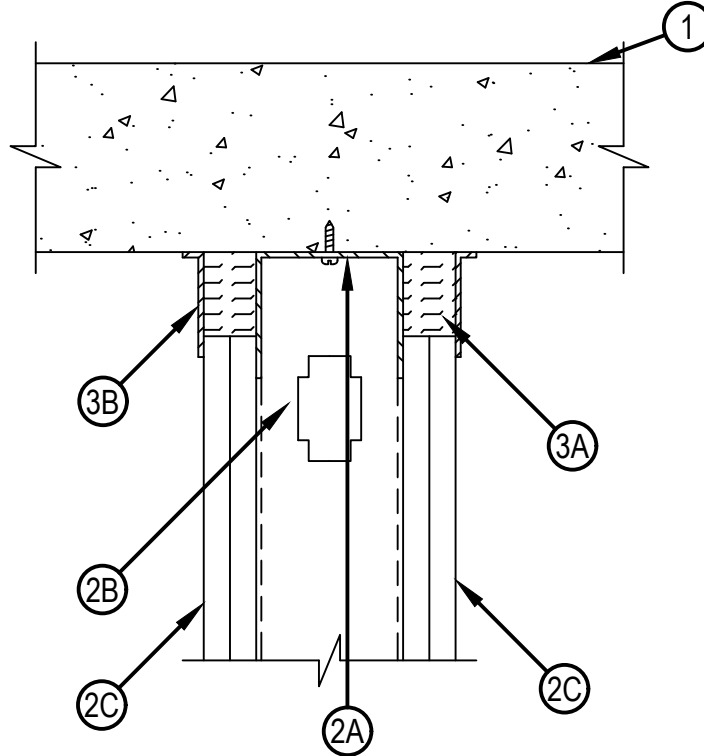
Nominal Joint Width — 2 in.

L Rating At Ambient — Less Than 1 CFM/Lin Ft

L Rating At 400°F — Less Than 1 CFM/Lin Ft

Class II Movement Capabilities — 20% Compression or Extension

HWD 0106



1. Floor Assembly — Min 4-1/2 in. (114 mm) thick steel-reinforced lightweight or normal weight (100-150 pcf or 1600-2400 kg/m³) structural concrete. Floor may also be constructed of any 6 in. (152 mm) thick UL Classified hollow-core Precast Concrete Units*. See Precast Concrete Units category in the Fire Resistance Directory for names of manufactures.

2. Wall Assembly — The 1 or 2 hr fire-rated gypsum board /stud wall assembly shall be constructed of the materials and in the manner specified in the individual U400 or V400 Series Wall and Partition Design in the UL Fire Resistance Directory and shall include the following construction features:

A. Steel Floor and Ceiling Runners — Floor and ceiling runners of wall assembly shall consist of min No. 25 gauge galv steel channels sized to accommodate steel studs (Item 2B). Flange height of ceiling runner shall be min 1/4 in. (6 mm) greater than max extended joint width. Ceiling runner secured to concrete floor slab with steel masonry anchors or steel fasteners spaced 24 in. (610 mm) OC.

A1. Light Gauge Framing*-Slotted Ceiling Runner — (For use in applications where the nominal joint width does not exceed 1-1/2 in. or 38 mm) - As an alternate to the ceiling runner in Item 2A, slotted ceiling runner to consist of galv steel channel with slotted flanges sized to accommodate steel studs (Item 2B). Slotted ceiling runner secured to concrete floor slab with steel masonry anchors or steel fasteners spaced max 24 in. (610 mm) OC.

BRADY CONSTRUCTION INNOVATIONS INC, DBA SLIPTRACK SYSTEMS — SLP-TRK

CALIFORNIA EXPANDED METAL PRODUCTS CO — CST

CLARKDIETRICH BUILDING SYSTEMS — Type SLT, SLT-H

MARINO/WARE, DIV OF WARE INDUSTRIES INC — Type SLT

METAL-LITE INC — The System

SCAFCO STEEL STUD MANUFACTURING CO

TELLING INDUSTRIES L L C — True-Action Deflection Track



Hilti Firestop Systems

Reproduced by HILTI, Inc. Courtesy of
Underwriters Laboratories, Inc.
November 23, 2015

System No. HW-D-0106

HWD 0106

A2 . Light Gauge Framing*-Vertical Deflection Ceiling Runner — (For use in applications where the nominal joint width does not exceed 1 in. or 25 mm) - As an alternate to the ceiling runners in Items 2A and 2A1, vertical deflection ceiling runner to consist of galv steel channel with slotted vertical deflection clips mechanically fastened within runner. Slotted clips provided with step bushings for permanent fastening of steel studs. Flanges sized to accommodate steel studs (Item 2B). Vertical deflection ceiling runner masonry anchors or steel fasteners with steel masonry anchors spaced max 24 in. (610 mm) OC.

THE STEEL NETWORK INC — VertiTrack VTD250, VTD362, VTD400, VTD600 and VTD800

A3. Light Gauge Framing*- Notched Ceiling Runner — As an alternate to the ceiling runners in Items 2A through 2A3, notched ceiling runners to consist of C-shaped galv steel channel with notched return flanges sized to accommodate steel studs (Item 2B). Notched ceiling runner secured to concrete floor slab with steel masonry anchors or steel fasteners spaced max 24 in. (610 mm) OC.

OLMAR SUPPLY INC — Type SCR

B. Studs — Steel studs to be min 2-1/2 in. (64 mm) wide. Studs cut 1/2 to 3/4 in. (13 to 19 mm) less in length than assembly height with bottom nesting in and resting on floor runner and with top nesting in ceiling runner without attachment. When slotted ceiling runner (Item 2A1) is used, steel studs secured to slotted ceiling runner with No. 8 by 1/2 in. (13 mm) long wafer head steel screws at midheight of slot on each side of wall. . When vertical deflection ceiling runner (Item 2A2) is used, steel studs secured to slotted vertical deflection clips, through the bushings, with steel screws at midheight of each slot. Stud spacing not to exceed 24 in. (610 mm) OC .

C. Gypsum Board* — Gypsum board installed to a min total thickness of 5/8 or 1-1/4 in. (16 or 32 mm) on each side of wall, for 1 or 2 hr fire resistance rated walls, respectively. Wall to be constructed as specified in the individual U400 or V400 Series Design in the UL Fire Resistance Directory, except that a nominal 2 in. (51 mm) gap shall be maintained between the top of the gypsum board and the bottom of concrete floor. The screws attaching the gypsum board to the studs at the top of the first layer shall be located 4 in. (102 mm) from the floor assembly. The screws attaching the second layer to the steel studs shall be located 3-1/2 in. (89 mm) from the floor assembly. The hourly fire rating of the joint system is dependent on the hourly rating of the wall.

3. Joint System — Max width of joint (at time of installation of joint system) is 2 in. (51 mm). The joint system is designed to accommodate a max 20 percent compression or extension from its installed width. The joint system shall consist of the following:

A. Forming Material * — Nom 5/8 or 1-1/4 in. (16 or 32 mm) thick strips of min 4 pcf (64 kg/m³) mineral wool batt insulation, for 1 and 2 Hr rated assemblies, respectively, cut to width, compressed 33 percent in width and firmly packed into gap between top of the gypsum board and bottom of the floor assembly, flush with both surfaces of the wall. Adjoining lengths of batt to be tightly butted with butted seams spaced min 48 in. (1.2 m) apart along the length of the joint.

ROCK WOOL MANUFACTURING CO — Delta Board

ROXUL INC — SAFE

THERMAFIBER INC — Type SAF

A1. Forming Material* - Strips — (Optional) - Nom 5/8 in. (16 mm) and 1-1/4 in. (32 mm) wide precut mineral wool strips for 1 and 2 hr rated assemblies, respectively. The strips are cut to thickness, compressed 50 percent in thickness and firmly packed into the gap between the top of the gypsum board and bottom of the floor assembly, flush with both surfaces of the wall. Adjoining lengths of strips to be tightly butted with butted seams spaced min 48 in. (1.2 m) apart along the length of the joint.

HILTI CONSTRUCTION CHEMICALS, DIV OF HILTI INC — CP 767 Speed Strips

B. Fill, Void or Cavity Material* — Min 1/16 in. (1.6 mm) dry thickness (min 1/8 in. or 3.2 mm wet thickness) of fill material sprayed or troweled on each side of the wall to completely cover mineral wool forming material and to overlap min 1/2 in. (13 mm) onto the gypsum board and concrete floor assembly.

HILTI CONSTRUCTION CHEMICALS, DIV OF HILTI INC — CP672 Firestop Spray or CFS-SP WB Firestop Joint Spray

* Indicates such products shall bear the UL or cUL Certification Mark for jurisdictions employing the UL or cUL Certification (such as Canada), respectively.



Hilti Firestop Systems

Reproduced by HILTI, Inc. Courtesy of
Underwriters Laboratories, Inc.
November 23, 2015

Page: 2 of 2