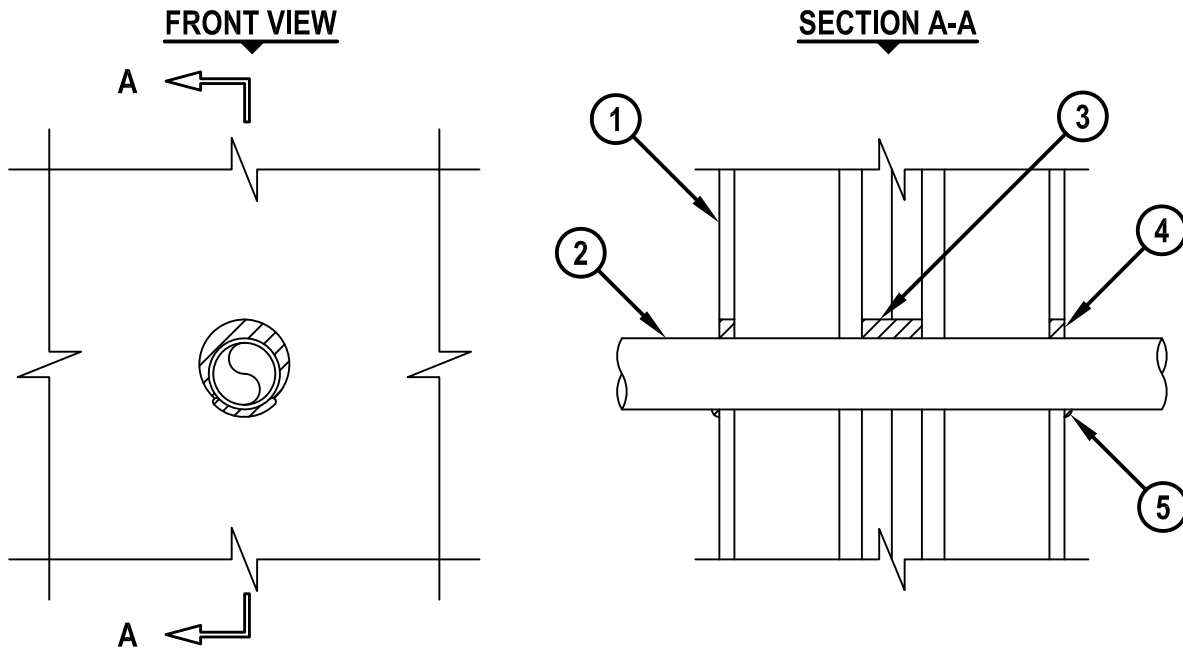


**PLASTIC PIPE THROUGH GYPSUM WALL ASSEMBLY**

F-RATING = 2-HR.

T-RATING = 2-HR.

WL2472c.011215



1. GYPSUM WALL ASSEMBLY (UL CLASSIFIED U300 SERIES) (2-HR. FIRE-RATING) CONSISTING OF THE FOLLOWING :
  - A. NOMINAL 2 x 4 STUDS SPACED MAXIMUM 24" OC.
  - B. STEEL "H" SHAPED STUDS SPACED MAXIMUM 24" OC.
  - C. TWO LAYERS 1" GYPSUM WALLBOARD LINER PANELS.
  - D. MINIMUM 1/2" THICK GYPSUM WALLBOARD.
2. PENETRATING ITEM TO BE ONE OF THE FOLLOWING :
  - A. MAXIMUM 2" NOMINAL DIAMETER PVC PLASTIC PIPE (CELLULAR OR SOLID CORE).
  - B. MAXIMUM 2" NOMINAL DIAMETER CPVC PLASTIC PIPE (CLOSED PIPING SYSTEM ONLY).
  - C. MAXIMUM 2" NOMINAL DIAMETER RNC-PVC CONDUIT.
3. MINIMUM 2" DEPTH HILTI FS-ONE MAX OR FS-ONE INTUMESCENT FIRESTOP SEALANT APPLIED WITHIN GYPSUM WALLBOARD LINER PANELS.
4. MINIMUM 1/2" DEPTH HILTI FS-ONE MAX OR FS-ONE INTUMESCENT FIRESTOP SEALANT APPLIED FLUSH WITH OUTER SURFACES OF GYPSUM WALLBOARD.
5. MINIMUM 1/4" BEAD HILTI FS-ONE MAX OR FS-ONE INTUMESCENT FIRESTOP SEALANT APPLIED AT POINT OF CONTACT AT OUTER SURFACE OF GYPSUM WALLBOARD.

NOTES : 1. MAXIMUM DIAMETER OF OPENING = 3".  
 2. ANNULAR SPACE = MINIMUM 0", MAXIMUM 5/8".  
 3. CLOSED OR VENTED PIPING SYSTEM (PVC, RNC = SCHEDULE 40; CPVC = SDR 13.5).



HILTI, Inc.  
 Tulsa, Oklahoma USA (800) 879-8000

Sheet	1 of 1
Scale	5/32" = 1"
Date	Jan. 12, 2015

Drawing No.  
**WL  
 2472c**