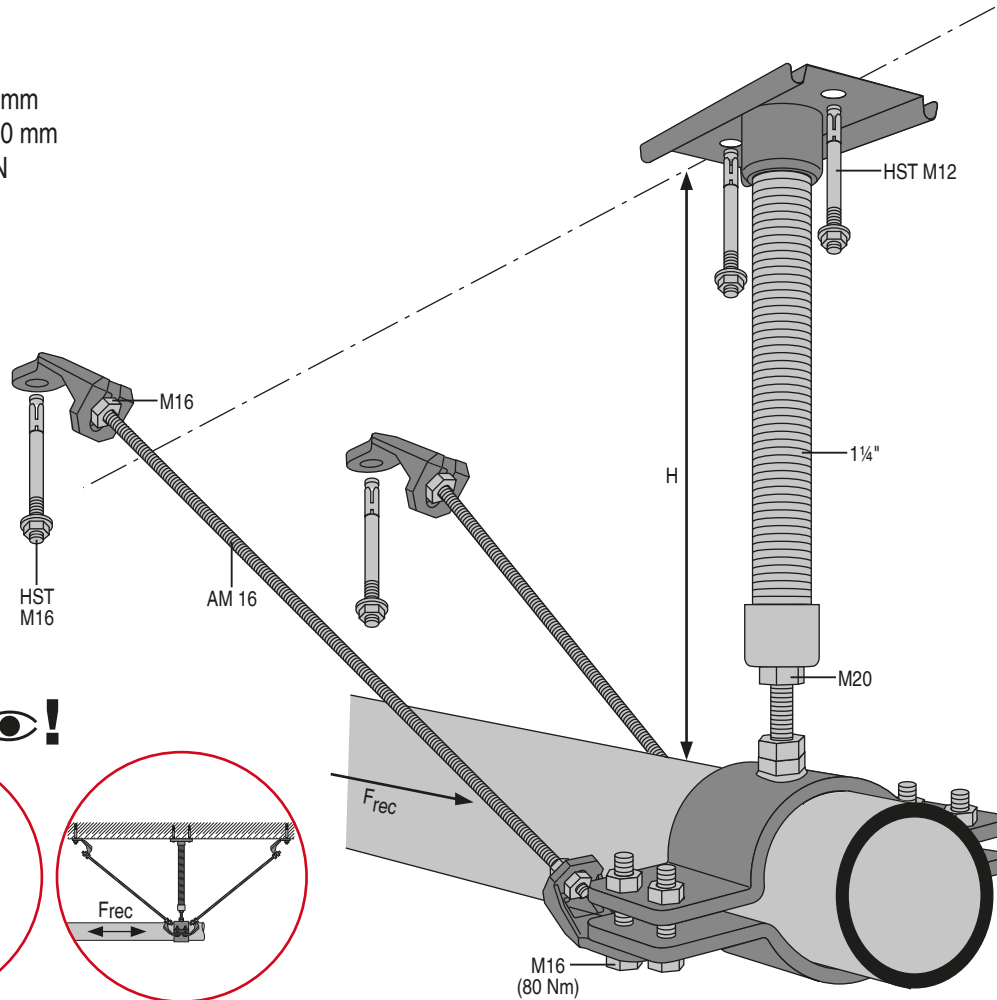


MFP 2

$H_{min} = 140 \text{ mm}$
 $H_{max} = 1200 \text{ mm}$
 $F_{rec} = 10 \text{ kN}$



		MFP 2	
MFP-NW ...			
MFP-BP 20	# 247827		
MFP-AP 2	# 247830		
1 1/4"	# 248532		
2x AM 16	# 216424		
2x HST M12/20	# 371587		
2x HST M16/25	# 371593		
SW 19, SW 24, SW 30			

