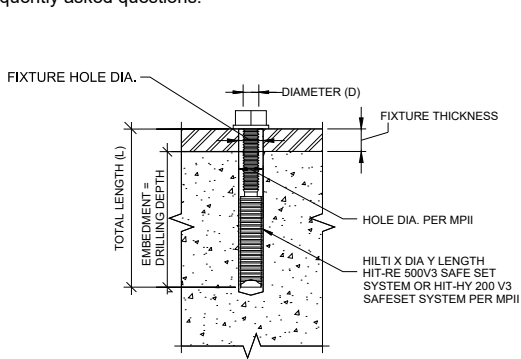


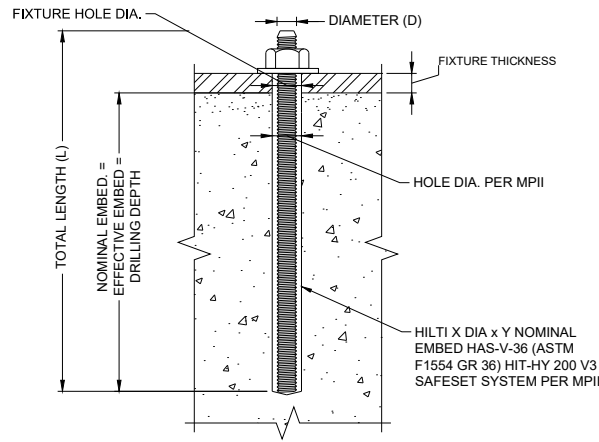
TYPICAL DETAILS FOR ADHESIVE ANCHORS

This document is intended for engineers/ contractors at all levels of experience. We aim to provide clarity and peace of mind with showing dimensions based on our frequently asked questions.



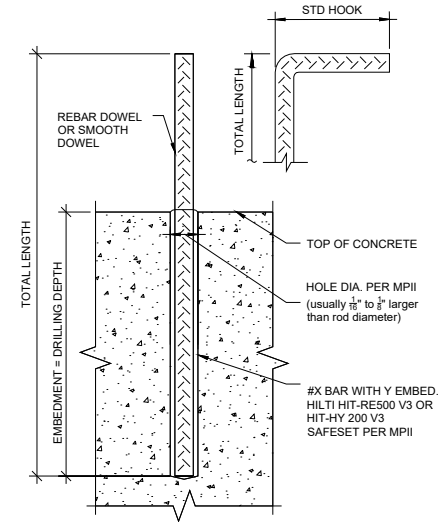
BASEPLATE: HILTI HIS-N

N.T.S.



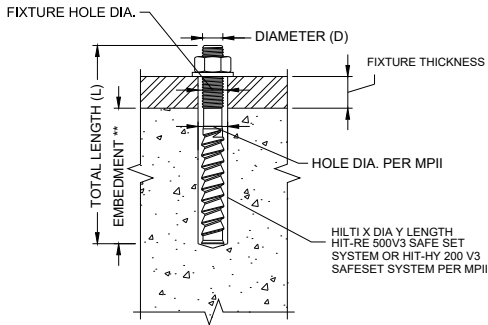
BASEPLATE: THREADED ROD

N.T.S.



POST-INSTALLED REBAR

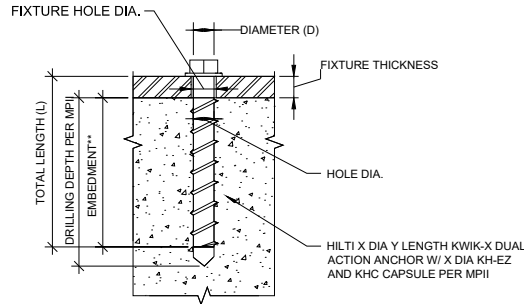
N.T.S.



BASEPLATE: HILTI HIT-Z ROD

N.T.S.

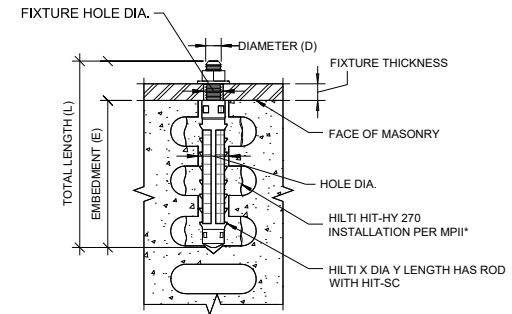
**NOMINAL EMBEDMENT = EFFECTIVE EMBEDMENT



BASEPLATE: KWIK-X

N.T.S.

**NOMINAL EMBEDMENT = EFFECTIVE EMBEDMENT



ANCHORING TO MASONRY

N.T.S.

*NO HAMMER DRILLING. ROTATION MODE ONLY

REFERENCE DRAWINGS										DRAWN:	DATE:	SEAL:
DWG NO	TITLE											
	HILTI GENERAL NOTES FOR ADHESIVE ANCHORS											
	TYPICAL DETAILS FOR POST-INSTALLED REBAR											
NO	REVISION	BY	CHK	APP	DATE	NO	REVISION	BY	CHK	APP	DATE	APPROVED: