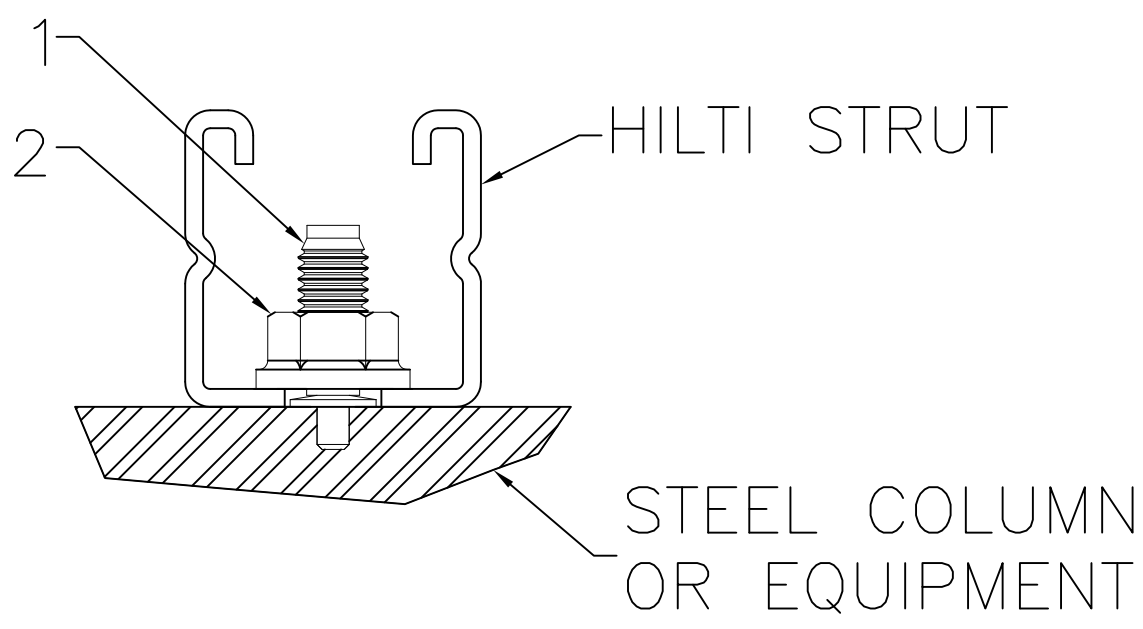


# HILTI X-BT-MF STRUT MOUNTING ASSEMBLY FOR MILDLY CORROSIVE ENVIRONMENTS



- 1. HILTI X-BT-MF W10/10 SN4.
- 2. W10 FLANGE NUT (INCL. WITH X-BT-MF PACKAGE).