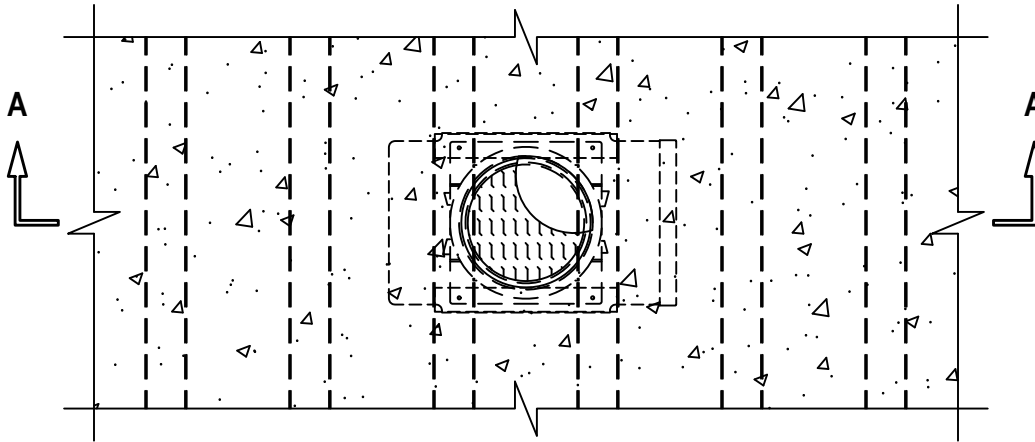


BLANK OPENING THROUGH CONCRETE FLOOR OVER METAL DECK ASSEMBLY

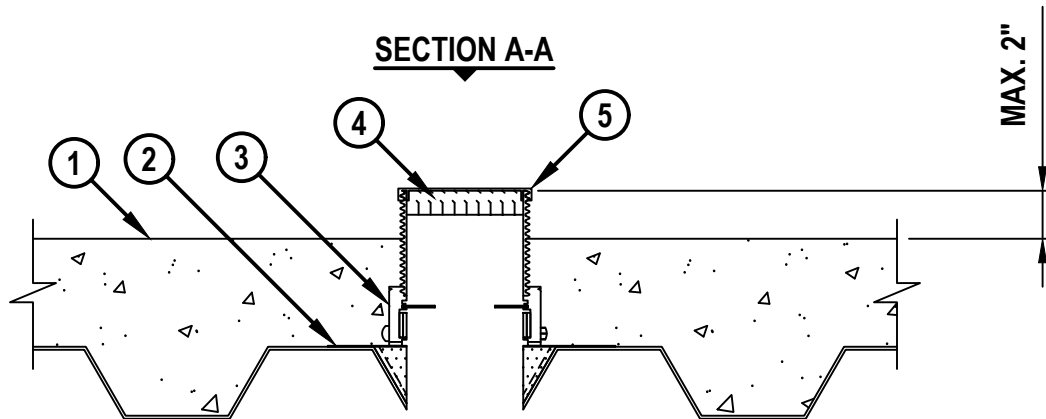
F-RATING = 3-HR.

T-RATING = 3-HR.

TOP VIEW



SECTION A-A



1. LIGHTWEIGHT OR NORMAL WEIGHT CONCRETE FLOOR ASSEMBLY (MINIMUM 4-1/2" THICK) OVER METAL DECKING (UL/cUL CLASSIFIED D900 SERIES) WITH 2" OR 3" FLUTED DECKS (3-HR. FIRE-RATING).
2. HILTI CFS-CID MD PLT [W2" OR W3"] METAL DECK PLATFORM SECURED TO DECK WITH ONE FASTENER IN EACH CORNER (SEE NOTE BELOW).
3. HILTI CFS-CID MD [M, P, OR PX] [2", 3", OR 4"]/4" FIRESTOP CAST-IN DEVICE FOR METAL DECK SECURED TO HILTI CFS-CID MD PLT METAL DECK PLATFORM WITH SCREWS.
4. MINIMUM 1" THICKNESS MINERAL WOOL (MIN. 4 PCF DENSITY) TIGHTLY PACKED AND FLUSH WITH TOP OF FIRESTOP DEVICE.
5. HILTI FIRESTOP DEVICE CAP THREADED ONTO TOP OF FIRESTOP DEVICE.

NOTES : FOR HILTI CFS-CID MD M OR CFS-CID MD P ONLY, AS AN ALTERNATIVE TO CFS-CID MD PLT METAL DECK PLATFORM (ITEM 2), THE HILTI METAL DECK ADAPTOR KIT MAY BE USED.



HILTI, Inc.
Plano, Texas USA (800) 879-8000

Sheet	1 of 1
Scale	1/8" = 1"
Date	Sept. 22, 2025

Drawing No.
**FA
0041c**