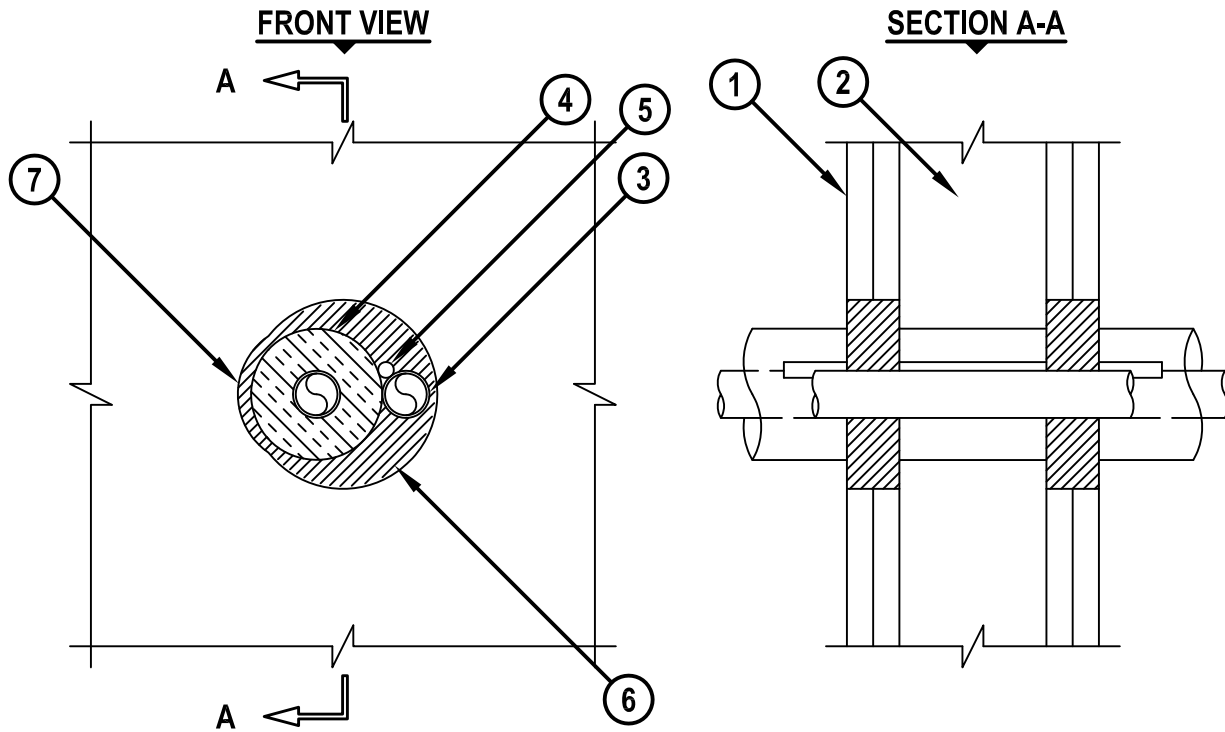


HVAC LINE SET THROUGH GYPSUM WALL ASSEMBLY

F-RATING = 2-HR.
T-RATING = 1/4-HR.

WL8047d.011615



1. GYPSUM WALL ASSEMBLY (UL/cUL CLASSIFIED U300 OR U400 SERIES) (2-HR. FIRE-RATING).
2. [NOT SHOWN] STEEL STUDS TO BE MINIMUM 3-1/2" WIDE. WOOD STUDS TO CONSIST OF NOMINAL 2" x 4" LUMBER.
3. MAXIMUM 1" NOMINAL DIAMETER COPPER PIPE OR TUBE (MAX. QTY. = 2).
4. NOMINAL 3/4" THICKNESS AB/PVC PIPE INSULATION INSTALLED ON ONE COPPER PIPE.
5. MAXIMUM 4 PAIR NO. 18 AWG THERMOSTAT CABLE WITH PVC JACKET.
6. MINIMUM 1-1/4" DEPTH HILTI FS-ONE MAX OR FS-ONE INTUMESCENT FIRESTOP SEALANT.
7. MINIMUM 1/2" BEAD HILTI FS-ONE MAX OR FS-ONE INTUMESCENT FIRESTOP SEALANT APPLIED AT POINT OF CONTACT.

NOTES : 1. MAXIMUM DIAMETER OF OPENING = 4-1/2".
 2. ANNULAR SPACE BETWEEN PENETRANTS AND PERIPHERY OF OPENING = MINIMUM 0", MAXIMUM 1-1/4".
 3. ANNULAR SPACE BETWEEN PENETRANTS = 0".



HILTI, Inc.
Tulsa, Oklahoma USA (800) 879-8000

Sheet	1 of 1
Scale	7/32" = 1"
Date	Jan. 16, 2015

Drawing No.
WL 8047d