

## 5.0 Installation System Hangers

### MH-EMT Strut clamp – 45EMT

#### Product Features

- Pre-assembled out of box; tightening screw at 45° angle for easy access
- Sized for electrical metallic tubing (EMT)
- Pre-galvanized
- Innovative design requires no nuts for fast and easy assembly



#### Material Specifications

<b>Material</b>	Carbon steel
<b>Finish</b>	Pre-galvanized
<b>Conforms with</b>	<ul style="list-style-type: none"> <li>• Federal specifications WW-H-171E (Type 59)</li> <li>• Manufacturers Standardization Society MSS-SP-58 (Type 59)</li> </ul>

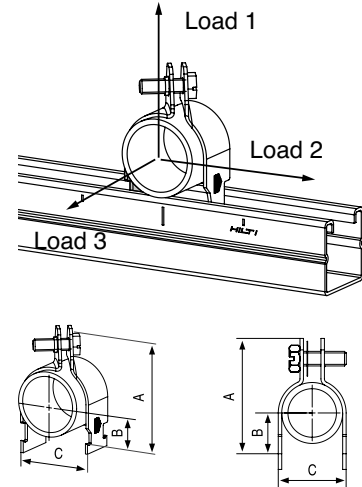
#### Ordering Information / Technical Data

Description	Allowable Load 1 (lb) <sup>1</sup>	Allowable Load 2 (lb) <sup>1</sup>	Allowable Load 3 (lb) <sup>1</sup>	Box Qty	Item No.
<b>MH-EMT45 1/2" PG</b>	200	50	30	100	2008821
<b>MH-EMT45 3/4" PG</b>	200	50	30	100	2008822
<b>MH-EMT45 1" PG</b>	200	75	40	100	2008823
<b>MH-EMT45 1-1/4" PG</b>	200	75	40	50	2008824
<b>MH-EMT45 1-1/2" PG</b>	200	100	40	50	2008825
<b>MH-EMT45 2" PG</b>	200	100	50	50	2008826

<sup>1</sup> Based on a safety factor of 3 for Load 1 and 2.3 for Load 2 and 3 according to AISI 2007. Allowable loads are based on loading in one direction only.

#### Technical Data

Designation	Bolt Diameter x Length	Wrench Size	Tightening Torque (in-lb)	Material Thickness Gauge	Dimension A (in)	Dimension B (in)	Dimension C (in)
<b>MH-EMT45 1/2" PG</b>	5/16"-18 UNC x 3/4"	1/2"	60	16	1.98	0.65	0.82
<b>MH-EMT45 3/4" PG</b>	5/16"-18 UNC x 3/4"	1/2"	60	16	2.20	0.75	1.04
<b>MH-EMT45 1" PG</b>	5/16"-18 UNC x 3/4"	1/2"	60	14	2.47	0.87	1.31
<b>MH-EMT45 1-1/4" PG</b>	5/16"-18 UNC x 1"	1/2"	60	14	2.81	1.05	1.66
<b>MH-EMT45 1-1/2" PG</b>	5/16"-18 UNC x 1"	1/2"	60	14	3.05	1.17	1.89
<b>MH-EMT45 2" PG</b>	5/16"-18 UNC x 1"	1/2"	60	14	3.50	1.39	2.35



#### Installation Instructions

