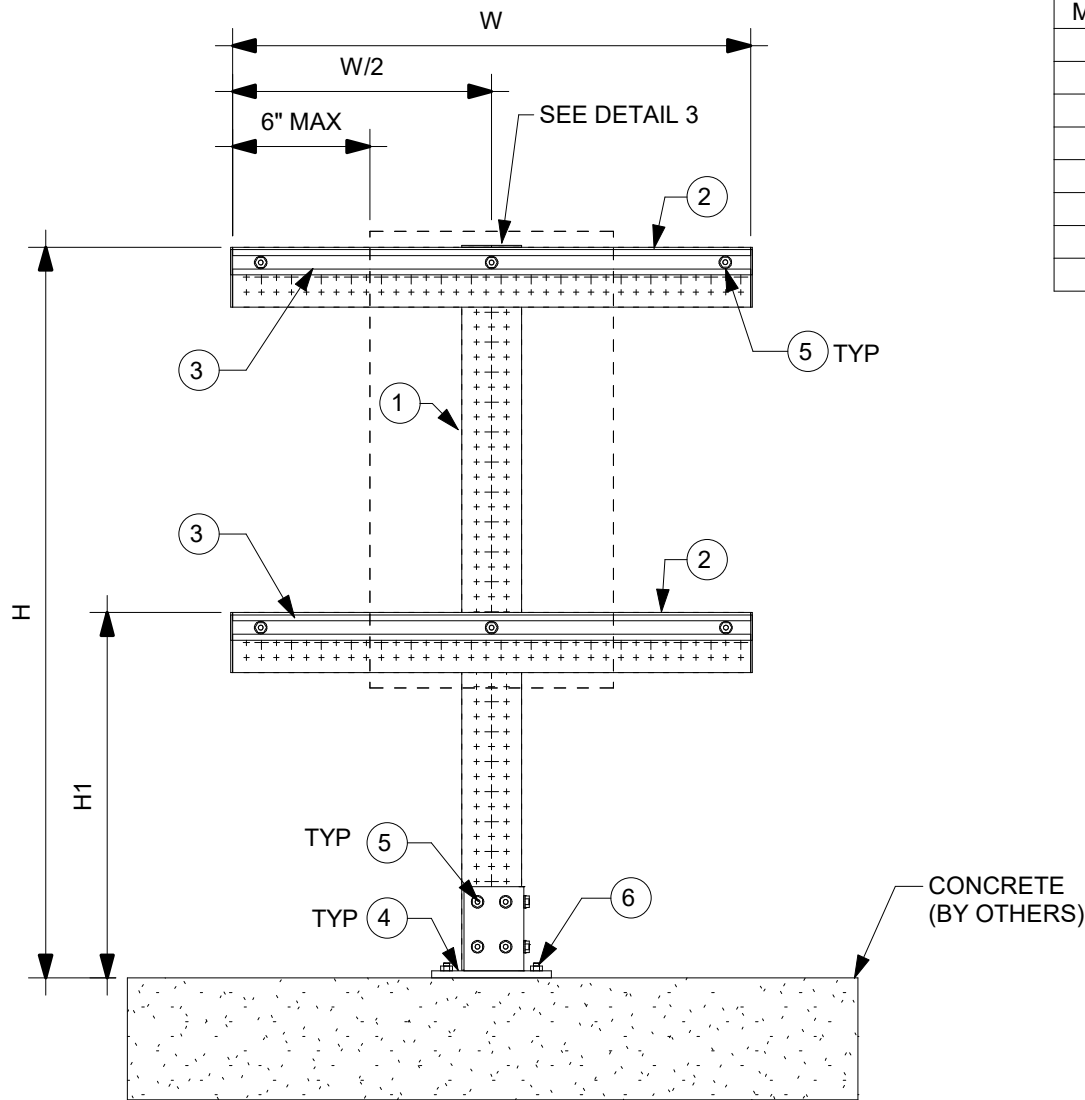
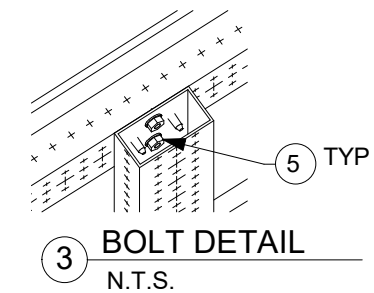


1 ISOMETRIC
N.T.S.



2 ELEVATION
N.T.S.

| MARK | ITEM NO. | DESCRIPTION | QTY. |
|------|----------|----------------------------------|------|
| 1 | 2268367 | MT-80 OC | 1 |
| 2 | 2268367 | MT-80 OC | 2 |
| 3 | 2268500 | MT-30 OC | 2 |
| 4 | 2272101 | MT-B-GS O4U OC | 1 |
| 5 | 2272084 | MT-TFB OC | 24 |
| 6 | 387527 | ANCHOR KB-TZ 1/2" x 4-1/2" SS304 | 4 |
| 7 | 2273698 | MT-EC-80 | 5 |
| 8 | 2273642 | MT-EC-30 | 4 |



| TABLE A | |
|----------------------|-----|
| Max W, in | 48 |
| Max H, in | 78 |
| Max H1, in | 42 |
| Max Panel Weight | 200 |
| ALLOWABLE LOADS, lbs | |
| Transverse | 60 |
| Longitudinal | 60 |

NOTE(S):

- A. THE TYPICAL ELECTRICAL AND INSTRUMENTATION (E&I) DETAIL REPRESENTS A COMMON CONFIGURATION FOR THIS APPLICATION. THE TYPICAL E&I SUPPORT IS LOAD RATED AND DIMENSIONALLY LIMITED BASED ON PANEL/INSTRUMENT LOADS, HILTI PUBLISHED DATA, DESIGN METHODOLOGY AND GENERIC NON-PROJECT SPECIFIC ASSUMPTIONS SET FORTH IN PROFIS MODULAR SUPPORT ENGINEERING SOFTWARE VERSION 2.20. THE ENGINEER OF RECORD SHALL EVALUATE THIS TYPICAL SUPPORT TO DETERMINE ITS SUITABILITY FOR THE ACTUAL PROJECT SPECIFIC DESIGN CRITERIA AND REQUIREMENTS.
- B. THE EVALUATION OF EXISTING STRUCTURE IS OUTSIDE OF E&I TYPICAL DESIGN SCOPE AND SHALL BE PERFORMED BY THE ENGINEER OF RECORD.
- C. TYPICAL E&I SUPPORT DESIGN IS BASED ON INTERNATIONAL BUILDING CODE (IBC) 2015. SEE TABLES IN E&I DETAILS FOR ALLOWABLE DESIGN LOADS (STATIC U.N.O.); LATERAL LOADS CALCULATED AS 30% OF DEAD LOAD U.N.O.
- D. ALL LOADS ASSUMED TO ACT AT THE 6" OFF THE HORIZONTAL SUPPORT BEAMS. THE EVALUATION OF A CENTER OF GRAVITY GREATER THAN 6" SHALL BE PERFORMED BY THE ENGINEER OF RECORD.
- E. MAXIMUM ALLOWABLE LOAD TABLE SHOWN IN THE TYPICAL DETAILS ARE BASED ON THE COMBINATION OF VERTICAL LOAD WITH TRANSVERSE LOAD OR VERTICAL LOAD WITH LONGITUDINAL LOAD. A SEPARATE ANALYSIS MUST BE PERFORMED WHEN TRANSVERSE AND LONGITUDINAL LOAD OCCUR SIMULTANEOUSLY WITH VERTICAL LOAD.

F. PANEL/INSTRUMENT CONNECTION HARDWARE AND DESIGN MUST BE CHECKED SEPARATELY. WHEN MULTIPLE BOXES ARE ATTACHED TO THE SUPPORT, ALL BOXES SHALL HAVE THE SAME WEIGHT, DIMENSIONS, AND BE SYMMETRICALLY PLACED ON STAND.

G. REFER TO HILTI INSTRUCTION FOR USE SHEET FOR REQUIRED INSTALLATION INFORMATION. THREAD FORMING BOLT MAY BE INSTALLED USING A TORQUE WRENCH OR SI-AT-A22 PER INSTRUCTION FOR USE.

H. ANCHORAGE TO CONCRETE IS DESIGNED FOR CONCRETE WITH A MINIMUM COMPRESSIVE STRENGTH OF 3000 PSI, MINIMUM THICKNESS OF 6", AND MINIMUM ANCHOR EDGE DISTANCE OF 6". INSTALL 5/8" DIAMETER KB-TZ WITH MIN. 3 1/8" EFFECTIVE EMBEDMENT U.N.O.

I. CONCRETE ANCHORS NOTED IN THE BILL OF MATERIAL ARE DESIGNED ONLY FOR WIND LATERAL LOADING. EOR TO VERIFY ADEQUACY OF ANCHOR WHEN TYPICAL IS BEING USED FOR SEISMIC LATERAL LOADING.

*QUANTITY LISTED FOR THE ITEM NUMBER IS FOR PIECE COUNT TOTALS ONLY. ACTUAL ORDERING ITEM NUMBERS AND QUANTITIES WILL BE BASED ON OPTIMIZING TOTAL MATERIAL LENGTHS REQUIRED PER PROFILE OR SIZE/DIAMETER.

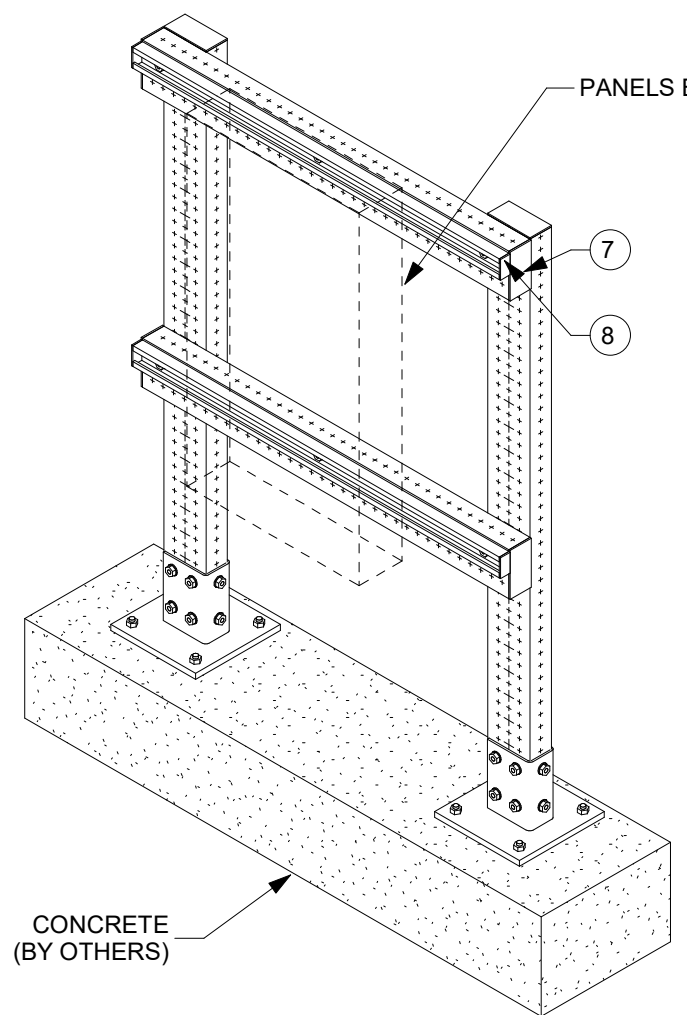
All loading and design criteria supplied by customer is assumed accurate. Only the stated Design Assumptions were considered, and must be verified by the responsible Engineer of Record (EOR). The basis of Hilti component and connection design is the published data in the current Hilti Technical Guide, including material and cross-section properties, allowable load values, factors of safety, methods of calculation, and limiting factors. The EOR must verify suitability for any specific application, and the capacity of the supportive structure to receive the shown configuration and associated reaction loads. Modification to components and/or design may alter performance and must be evaluated by the EOR.

| REVISION HISTORY | | |
|------------------|------------------|------------|
| NO. | DESCRIPTION: | DATE: |
| A | ISSUE FOR REVIEW | 09/21/2020 |

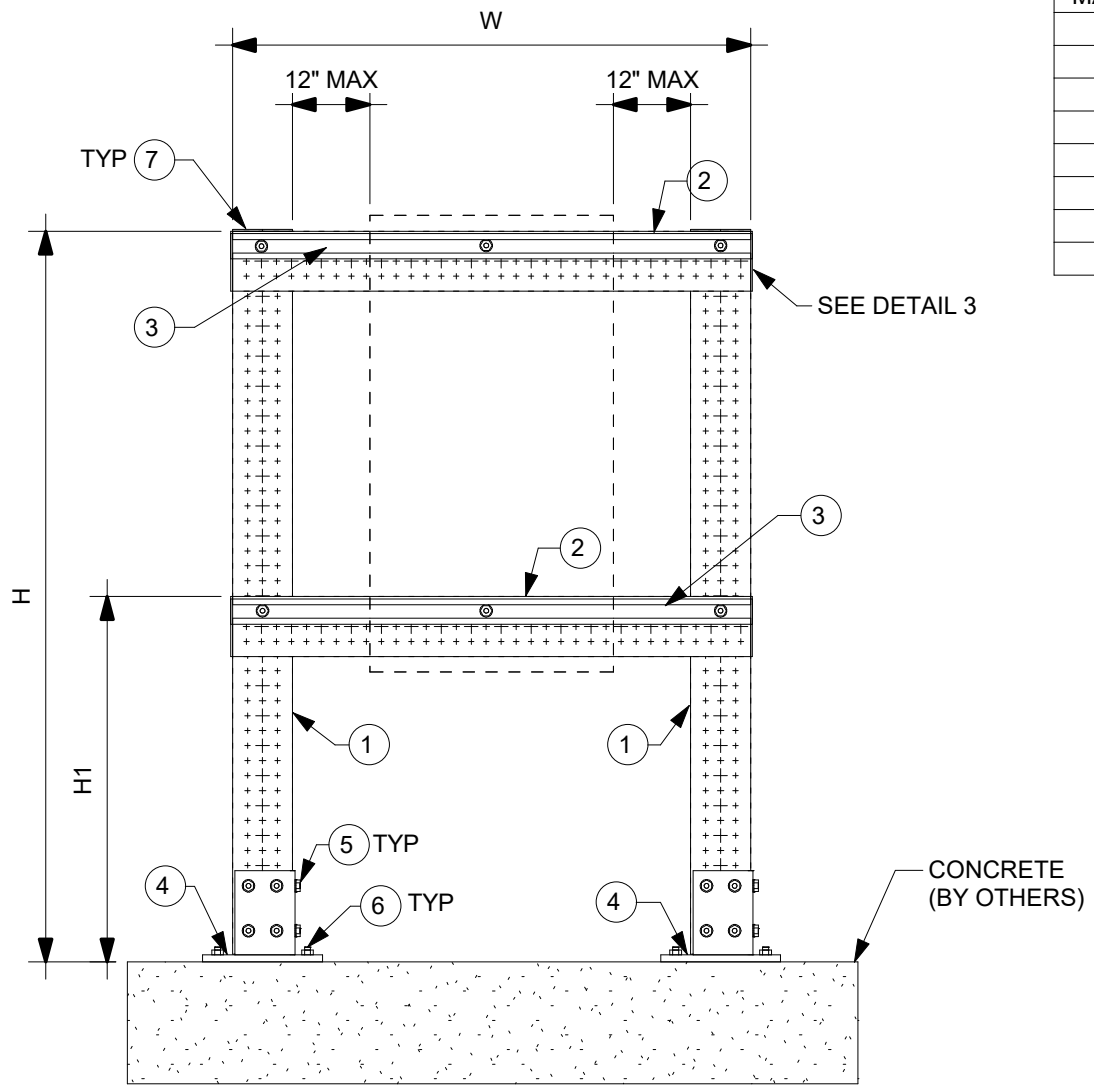
PROJECT NAME:
PANEL STAND MT80 - C - 003

PROJECT DESCRIPTION:
PANEL STAND MT80 - C - 003

| | | | |
|-----------------------|----------|--------------------------------|-----------|
| DRAWN: | CHECKED: | DESIGNED: | REVIEWED: |
| GAB | IDP | JDR | BVD |
| PAPER SIZE: ANSI B | | PROJECT NUMBER: - PS8C3 - 1 | |

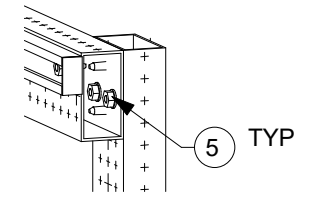


1 ISOMETRIC
N.T.S.



2 ELEVATION
N.T.S.

| MARK | ITEM NO. | DESCRIPTION | QTY. |
|------|----------|----------------------------------|------|
| 1 | 2268367 | MT-80 OC | 2 |
| 2 | 2268367 | MT-80 OC | 2 |
| 3 | 2268500 | MT-30 OC | 2 |
| 4 | 2272101 | MT-B-GS O4U OC | 2 |
| 5 | 2272084 | MT-TFB OC | 42 |
| 6 | 387527 | ANCHOR KB-TZ 1/2" x 4-1/2" SS304 | 8 |
| 7 | 2273698 | MT-EC-80 | 6 |
| 8 | 2273642 | MT-EC-30 | 4 |



3 BOLT DETAIL
N.T.S.

| TABLE A | |
|----------------------|-----|
| Max W, in | 48 |
| Max H, in | 78 |
| Max H1, in | 42 |
| Max Panel Weight | 400 |
| ALLOWABLE LOADS, lbs | |
| Transverse | 120 |
| Longitudinal | 120 |

NOTE(S):

- A. THE TYPICAL ELECTRICAL AND INSTRUMENTATION (E&I) DETAIL REPRESENTS A COMMON CONFIGURATION FOR THIS APPLICATION. THE TYPICAL E&I SUPPORT IS LOAD RATED AND DIMENSIONALLY LIMITED BASED ON PANEL/INSTRUMENT LOADS, HILTI PUBLISHED DATA, DESIGN METHODOLOGY AND GENERIC NON-PROJECT SPECIFIC ASSUMPTIONS SET FORTH IN PROFIS MODULAR SUPPORT ENGINEERING SOFTWARE VERSION 2.20. THE ENGINEER OF RECORD SHALL EVALUATE THIS TYPICAL SUPPORT TO DETERMINE ITS SUITABILITY FOR THE ACTUAL PROJECT SPECIFIC DESIGN CRITERIA AND REQUIREMENTS.
- B. THE EVALUATION OF EXISTING STRUCTURE IS OUTSIDE OF E&I TYPICAL DESIGN SCOPE AND SHALL BE PERFORMED BY THE ENGINEER OF RECORD.
- C. TYPICAL E&I SUPPORT DESIGN IS BASED ON INTERNATIONAL BUILDING CODE (IBC) 2015. SEE TABLES IN E&I DETAILS FOR ALLOWABLE DESIGN LOADS (STATIC U.N.O.); LATERAL LOADS CALCULATED AS 30% OF DEAD LOAD U.N.O.
- D. ALL LOADS ASSUMED TO ACT AT THE 6" OFF THE HORIZONTAL SUPPORT BEAMS. THE EVALUATION OF A CENTER OF GRAVITY GREATER THAN 6" SHALL BE PERFORMED BY THE ENGINEER OF RECORD.
- E. MAXIMUM ALLOWABLE LOAD TABLE SHOWN IN THE TYPICAL DETAILS ARE BASED ON THE COMBINATION OF VERTICAL LOAD WITH TRANSVERSE LOAD OR VERTICAL LOAD WITH LONGITUDINAL LOAD. A SEPARATE ANALYSIS MUST BE PERFORMED WHEN TRANSVERSE AND LONGITUDINAL LOAD OCCUR SIMULTANEOUSLY WITH VERTICAL LOAD.

- F. PANEL/INSTRUMENT CONNECTION HARDWARE AND DESIGN MUST BE CHECKED SEPARATELY. WHEN MULTIPLE BOXES ARE ATTACHED TO THE SUPPORT, ALL BOXES SHALL HAVE THE SAME WEIGHT, DIMENSIONS, AND BE SYMMETRICALLY PLACED ON STAND.
 - G. REFER TO HILTI INSTRUCTION FOR USE SHEET FOR REQUIRED INSTALLATION INFORMATION. THREAD FORMING BOLT MAY BE INSTALLED USING A TORQUE WRENCH OR SI-AT-A22 PER INSTRUCTION FOR USE.
 - H. ANCHORAGE TO CONCRETE IS DESIGNED FOR CONCRETE WITH A MINIMUM COMPRESSIVE STRENGTH OF 3000 PSI, MINIMUM THICKNESS OF 6", AND MINIMUM ANCHOR EDGE DISTANCE OF 6". INSTALL 5/8" DIAMETER KB-TZ WITH MIN. 3 1/8" EFFECTIVE EMBEDMENT U.N.O.
 - I. CONCRETE ANCHORS NOTED IN THE BILL OF MATERIAL ARE DESIGNED ONLY FOR WIND LATERAL LOADING. EOR TO VERIFY ADEQUACY OF ANCHOR WHEN TYPICAL IS BEING USED FOR SEISMIC LATERAL LOADING.
- *QUANTITY LISTED FOR THE ITEM NUMBER IS FOR PIECE COUNT TOTALS ONLY. ACTUAL ORDERING ITEM NUMBERS AND QUANTITIES WILL BE BASED ON OPTIMIZING TOTAL MATERIAL LENGTHS REQUIRED PER PROFILE OR SIZE/DIAMETER.

All loading and design criteria supplied by customer is assumed accurate. Only the stated Design Assumptions were considered, and must be verified by the responsible Engineer of Record (EOR). The basis of Hilti component and connection design is the published data in the current Hilti Technical Guide, including material and cross-section properties, allowable load values, factors of safety, methods of calculation, and limiting factors. The EOR must verify suitability for any specific application, and the capacity of the supportive structure to receive the shown configuration and associated reaction loads. Modification to components and/or design may alter performance and must be evaluated by the EOR.

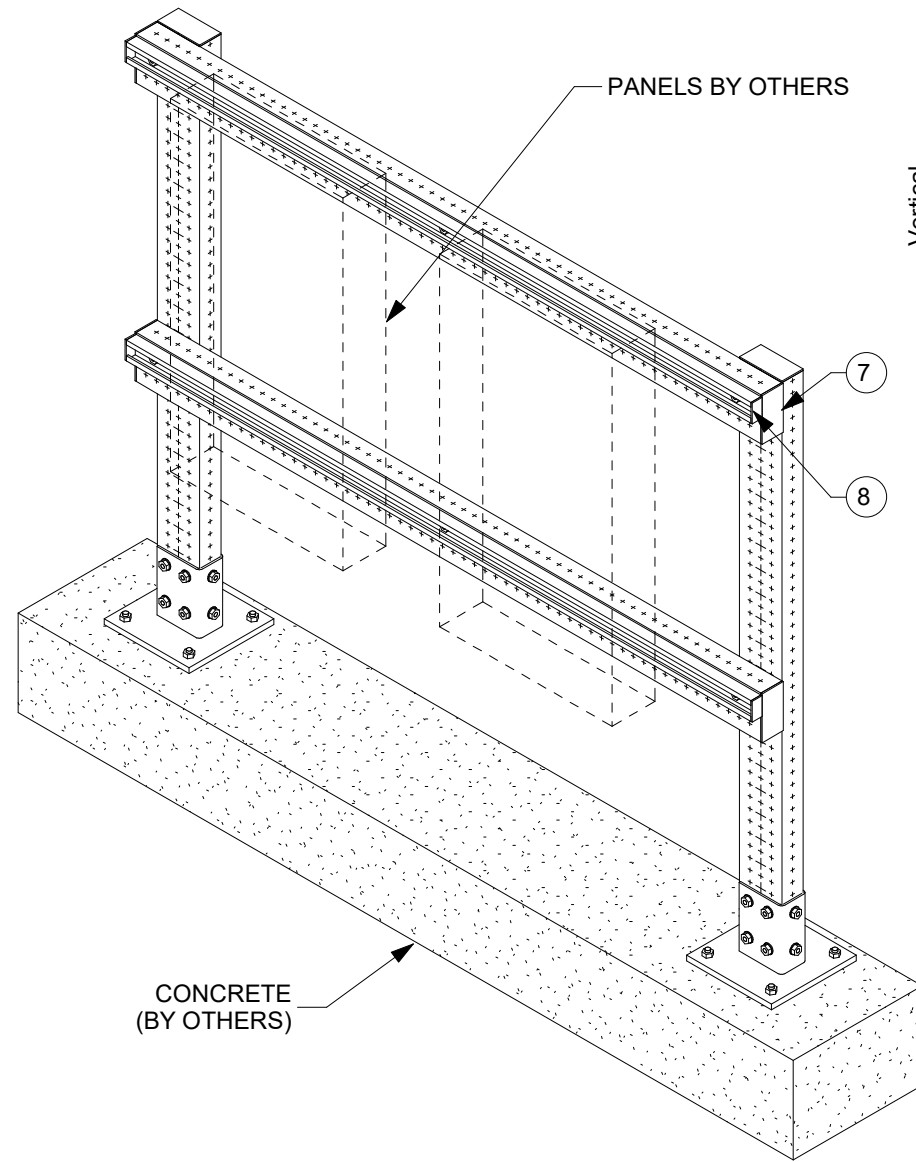
| REVISION HISTORY | | |
|------------------|------------------|------------|
| NO. | DESCRIPTION: | DATE: |
| A | ISSUE FOR REVIEW | 09/21/2020 |

PROJECT NAME:
PANEL STAND MT80 - C - 001

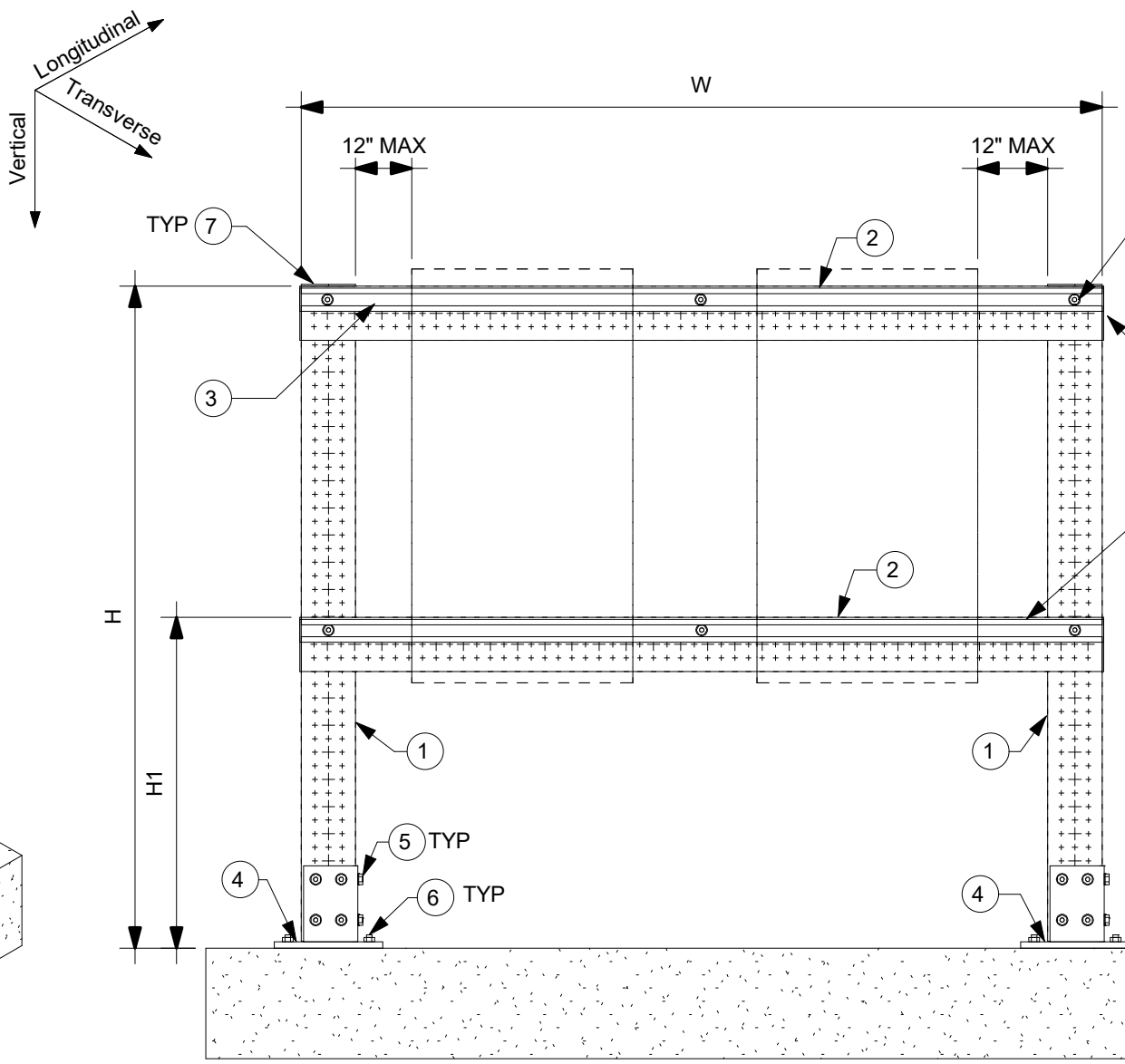
PROJECT DESCRIPTION:
PANEL STAND MT80 - C - 001

| | | | |
|-----------------------|----------|--------------------------------|-----------|
| DRAWN: | CHECKED: | DESIGNED: | REVIEWED: |
| GAB | IDP | JDR | BVD |
| PAPER SIZE: ANSI B | | PROJECT NUMBER: - PS8C1 - 1 | |

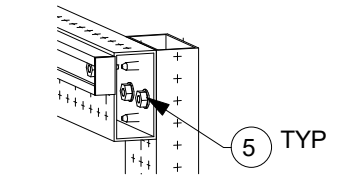
| MARK | ITEM NO. | DESCRIPTION | QTY. |
|------|----------|----------------------------------|------|
| 1 | 2268367 | MT-80 OC | 2 |
| 2 | 2268367 | MT-80 OC | 2 |
| 3 | 2268500 | MT-30 OC | 2 |
| 4 | 2272101 | MT-B-GS O4U OC | 2 |
| 5 | 2272084 | MT-TFB OC | 42 |
| 6 | 387527 | ANCHOR KB-TZ 1/2" x 4-1/2" SS304 | 8 |
| 7 | 2273698 | MT-EC-80 | 6 |
| 8 | 2273642 | MT-EC-30 | 4 |



1 ISOMETRIC
N.T.S.



2 ELEVATION
N.T.S.



3 BOLT DETAIL
N.T.S.

| TABLE A | |
|------------------|-----|
| Max W, in | 48 |
| Max H, in | 78 |
| Max H1, in | 42 |
| Max Panel Weight | 200 |
| Transverse | 60 |
| Longitudinal | 60 |

ALLOWABLE LOADS, lbs

NOTE(S):

- A. THE TYPICAL ELECTRICAL AND INSTRUMENTATION (E&I) DETAIL REPRESENTS A COMMON CONFIGURATION FOR THIS APPLICATION. THE TYPICAL E&I SUPPORT IS LOAD RATED AND DIMENSIONALLY LIMITED BASED ON PANEL/INSTRUMENT LOADS, HILTI PUBLISHED DATA, DESIGN METHODOLOGY AND GENERIC NON-PROJECT SPECIFIC ASSUMPTIONS SET FORTH IN PROFIS MODULAR SUPPORT ENGINEERING SOFTWARE VERSION 2.20. THE ENGINEER OF RECORD SHALL EVALUATE THIS TYPICAL SUPPORT TO DETERMINE ITS SUITABILITY FOR THE ACTUAL PROJECT SPECIFIC DESIGN CRITERIA AND REQUIREMENTS.
- B. THE EVALUATION OF EXISTING STRUCTURE IS OUTSIDE OF E&I TYPICAL DESIGN SCOPE AND SHALL BE PERFORMED BY THE ENGINEER OF RECORD.
- C. TYPICAL E&I SUPPORT DESIGN IS BASED ON INTERNATIONAL BUILDING CODE (IBC) 2015. SEE TABLES IN E&I DETAILS FOR ALLOWABLE DESIGN LOADS (STATIC U.N.O.); LATERAL LOADS CALCULATED AS 30% OF DEAD LOAD U.N.O.
- D. ALL LOADS ASSUMED TO ACT AT THE 6" OFF THE HORIZONTAL SUPPORT BEAMS. THE EVALUATION OF A CENTER OF GRAVITY GREATER THAN 6" SHALL BE PERFORMED BY THE ENGINEER OF RECORD.
- E. MAXIMUM ALLOWABLE LOAD TABLE SHOWN IN THE TYPICAL DETAILS ARE BASED ON THE COMBINATION OF VERTICAL LOAD WITH TRANSVERSE LOAD OR VERTICAL LOAD WITH LONGITUDINAL LOAD. A SEPARATE ANALYSIS MUST BE PERFORMED WHEN TRANSVERSE AND LONGITUDINAL LOAD OCCUR SIMULTANEOUSLY WITH VERTICAL LOAD.

- F. PANEL/INSTRUMENT CONNECTION HARDWARE AND DESIGN MUST BE CHECKED SEPARATELY. WHEN MULTIPLE BOXES ARE ATTACHED TO THE SUPPORT, ALL BOXES SHALL HAVE THE SAME WEIGHT, DIMENSIONS, AND BE SYMMETRICALLY PLACED ON STAND.
 - G. REFER TO HILTI INSTRUCTION FOR USE SHEET FOR REQUIRED INSTALLATION INFORMATION. THREAD FORMING BOLT MAY BE INSTALLED USING A TORQUE WRENCH OR SI-AT-A22 PER INSTRUCTION FOR USE.
 - H. ANCHORAGE TO CONCRETE IS DESIGNED FOR CONCRETE WITH A MINIMUM COMPRESSIVE STRENGTH OF 3000 PSI, MINIMUM THICKNESS OF 6", AND MINIMUM ANCHOR EDGE DISTANCE OF 6". INSTALL 5/8" DIAMETER KB-TZ WITH MIN. 3 1/8" EFFECTIVE EMBEDMENT U.N.O.
 - I. CONCRETE ANCHORS NOTED IN THE BILL OF MATERIAL ARE DESIGNED ONLY FOR WIND LATERAL LOADING. EOR TO VERIFY ADEQUACY OF ANCHOR WHEN TYPICAL IS BEING USED FOR SEISMIC LATERAL LOADING.
- *QUANTITY LISTED FOR THE ITEM NUMBER IS FOR PIECE COUNT TOTALS ONLY. ACTUAL ORDERING ITEM NUMBERS AND QUANTITIES WILL BE BASED ON OPTIMIZING TOTAL MATERIAL LENGTHS REQUIRED PER PROFILE OR SIZE/DIAMETER.

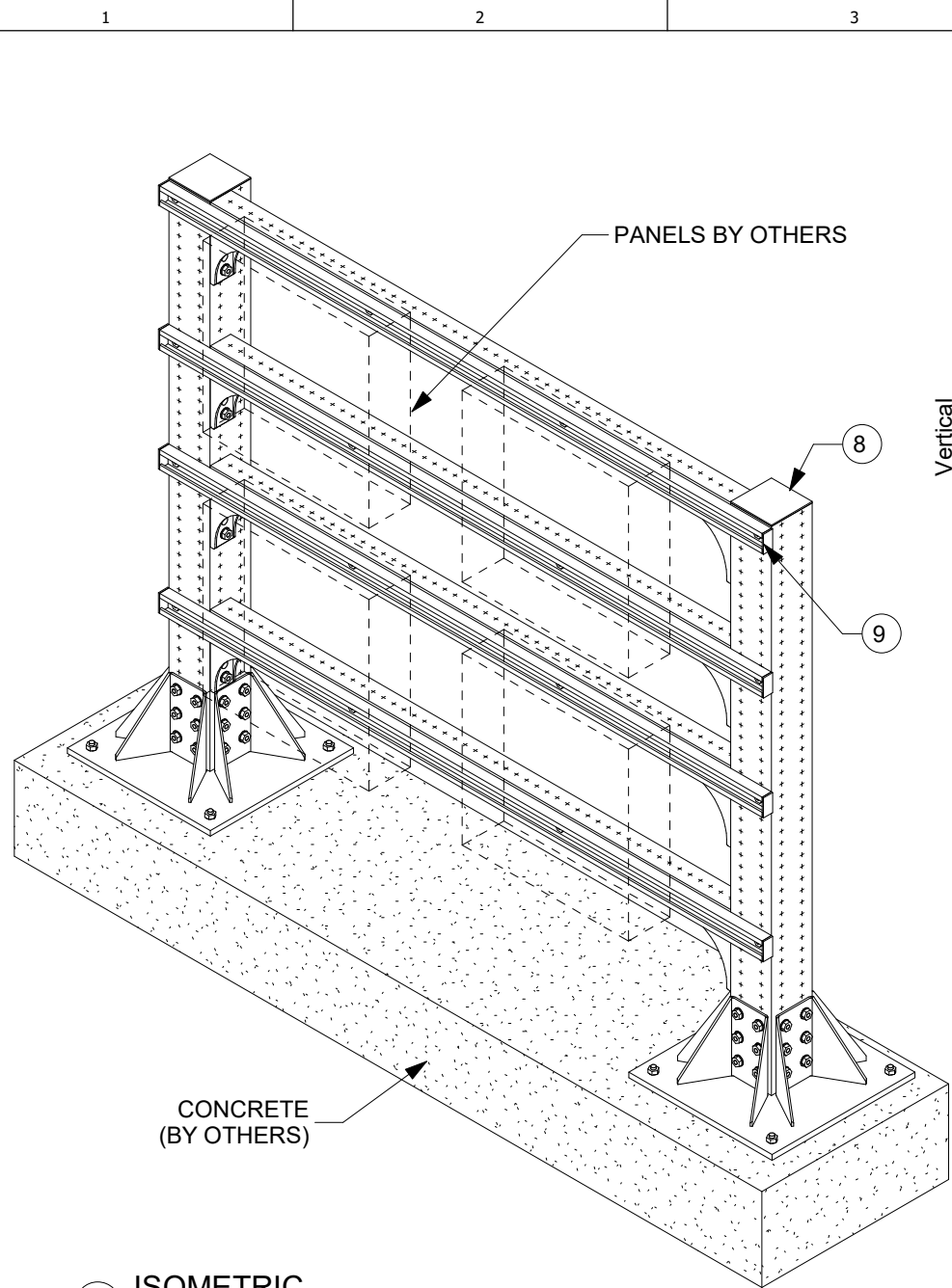
All loading and design criteria supplied by customer is assumed accurate. Only the stated Design Assumptions were considered, and must be verified by the responsible Engineer of Record (EOR). The basis of Hilti component and connection design is the published data in the current Hilti Technical Guide, including material and cross-section properties, allowable load values, factors of safety, methods of calculation, and limiting factors. The EOR must verify suitability for any specific application, and the capacity of the supportive structure to receive the shown configuration and associated reaction loads. Modification to components and/or design may alter performance and must be evaluated by the EOR.

| REVISION HISTORY | | |
|------------------|------------------|------------|
| NO. | DESCRIPTION: | DATE: |
| A | ISSUE FOR REVIEW | 01/07/2021 |

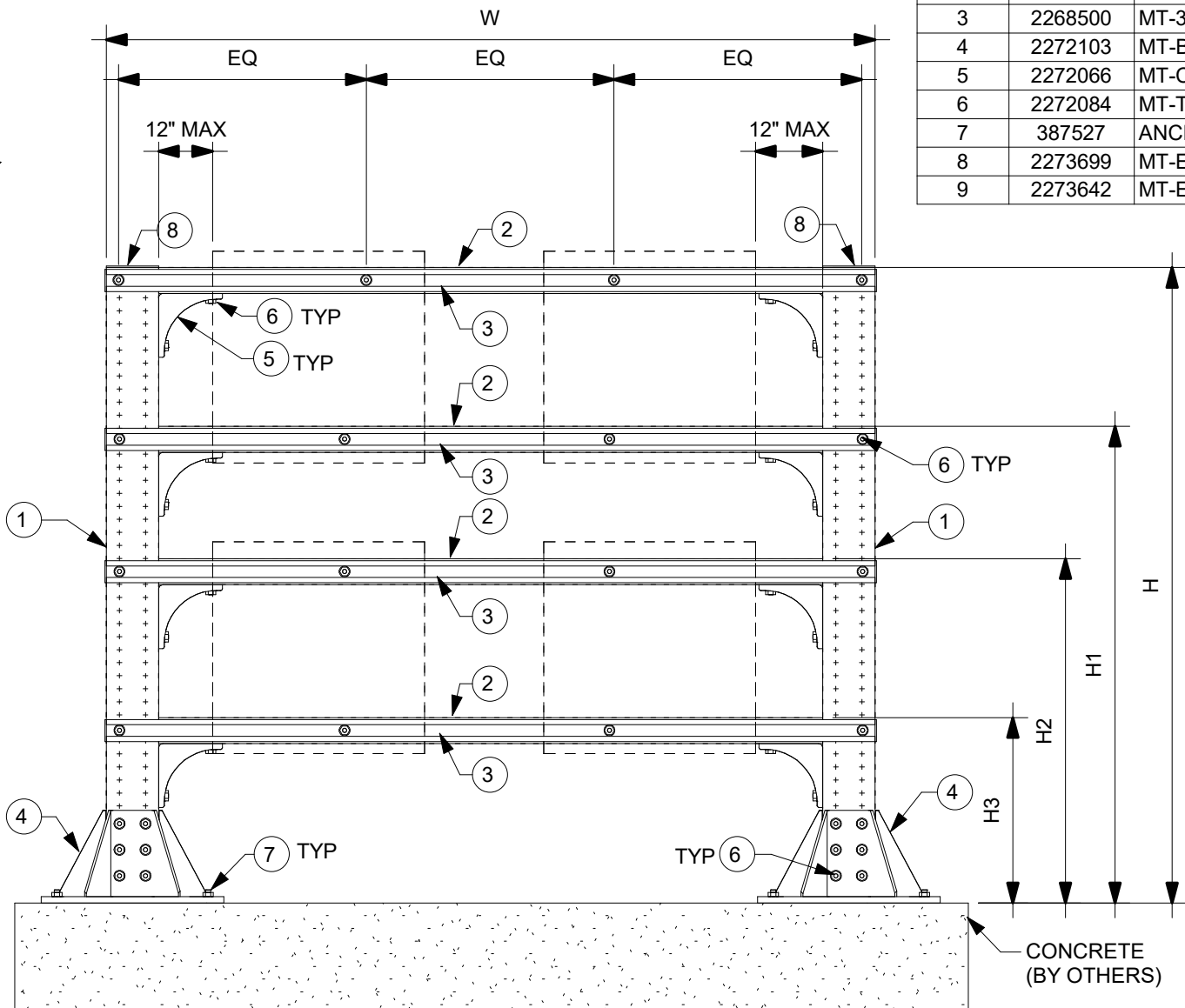
PROJECT NAME:
PANEL STAND MT80 - C - 002

PROJECT DESCRIPTION:
PANEL STAND MT80 - C - 002

| | | | |
|-----------------------|----------|--------------------------------|-----------|
| DRAWN: | CHECKED: | DESIGNED: | REVIEWED: |
| GAB | IDP | JDR | BVD |
| PAPER SIZE: ANSI B | | PROJECT NUMBER: - PS8C2 - 1 | |



1 ISOMETRIC
N.T.S.



2 ELEVATION
N.T.S.

| MARK | ITEM NO. | DESCRIPTION | QTY. |
|------|----------|----------------------------------|------|
| 1 | 2268369 | MT-90 OC | 2 |
| 2 | 2268365 | MT-70 OC | 4 |
| 3 | 2268500 | MT-30 OC | 4 |
| 4 | 2272103 | MT-B-GL-O4 OC | 2 |
| 5 | 2272066 | MT-C-GS OC | 8 |
| 6 | 2272084 | MT-TFB OC | 96 |
| 7 | 387527 | ANCHOR KB-TZ 1/2" x 4-1/2" SS304 | 8 |
| 8 | 2273699 | MT-EC-90 | 2 |
| 9 | 2273642 | MT-EC-30 | 8 |

| TABLE A | |
|------------------|-----|
| Max W, in | 84 |
| Max H, in | 78 |
| Max H1, in | 54 |
| Max H2, in | 42 |
| Max H3, in | 18 |
| Max Panel Weight | 300 |
| Transverse | 90 |
| Longitudinal | 90 |

ALLOWABLE LOADS, lbs

NOTE(S):

A. THE TYPICAL ELECTRICAL AND INSTRUMENTATION (E&I) DETAIL REPRESENTS A COMMON CONFIGURATION FOR THIS APPLICATION. THE TYPICAL E&I SUPPORT IS LOAD RATED AND DIMENSIONALLY LIMITED BASED ON PANEL/INSTRUMENT LOADS, HILTI PUBLISHED DATA, DESIGN METHODOLOGY AND GENERIC NON-PROJECT SPECIFIC ASSUMPTIONS SET FORTH IN PROFIS MODULAR SUPPORT ENGINEERING SOFTWARE VERSION 2.20. THE ENGINEER OF RECORD SHALL EVALUATE THIS TYPICAL SUPPORT TO DETERMINE ITS SUITABILITY FOR THE ACTUAL PROJECT SPECIFIC DESIGN CRITERIA AND REQUIREMENTS.

B. THE EVALUATION OF EXISTING STRUCTURE IS OUTSIDE OF E&I TYPICAL DESIGN SCOPE AND SHALL BE PERFORMED BY THE ENGINEER OF RECORD.

C. TYPICAL E&I SUPPORT DESIGN IS BASED ON INTERNATIONAL BUILDING CODE (IBC) 2015. SEE TABLES IN E&I DETAILS FOR ALLOWABLE DESIGN LOADS (STATIC U.N.O.); LATERAL LOADS CALCULATED AS 30% OF DEAD LOAD U.N.O.

D. ALL LOADS ASSUMED TO ACT AT THE 6" OFF THE HORIZONTAL SUPPORT BEAMS. THE EVALUATION OF A CENTER OF GRAVITY GREATER THAN 6" SHALL BE PERFORMED BY THE ENGINEER OF RECORD.

E. MAXIMUM ALLOWABLE LOAD TABLE SHOWN IN THE TYPICAL DETAILS ARE BASED ON THE COMBINATION OF VERTICAL LOAD WITH TRANSVERSE LOAD OR VERTICAL LOAD WITH LONGITUDINAL LOAD. A SEPARATE ANALYSIS MUST BE PERFORMED WHEN TRANSVERSE AND LONGITUDINAL LOAD OCCUR SIMULTANEOUSLY WITH VERTICAL LOAD.

F. PANEL/INSTRUMENT CONNECTION HARDWARE AND DESIGN MUST BE CHECKED SEPARATELY. WHEN MULTIPLE BOXES ARE ATTACHED TO THE SUPPORT, ALL BOXES SHALL HAVE THE SAME WEIGHT, DIMENSIONS, AND BE SYMMETRICALLY PLACED ON STAND.

G. REFER TO HILTI INSTRUCTION FOR USE SHEET FOR REQUIRED INSTALLATION INFORMATION. THREAD FORMING BOLT MAY BE INSTALLED USING A TORQUE WRENCH OR SI-AT-A22 PER INSTRUCTION FOR USE.

H. ANCHORAGE TO CONCRETE IS DESIGNED FOR CONCRETE WITH A MINIMUM COMPRESSIVE STRENGTH OF 3000 PSI, MINIMUM THICKNESS OF 6", AND MINIMUM ANCHOR EDGE DISTANCE OF 6". INSTALL 5/8" DIAMETER KB-TZ WITH MIN. 3 1/8" EFFECTIVE EMBEDMENT U.N.O.

I. CONCRETE ANCHORS NOTED IN THE BILL OF MATERIAL ARE DESIGNED ONLY FOR WIND LATERAL LOADING. EOR TO VERIFY ADEQUACY OF ANCHOR WHEN TYPICAL IS BEING USED FOR SEISMIC LATERAL LOADING.

*QUANTITY LISTED FOR THE ITEM NUMBER IS FOR PIECE COUNT TOTALS ONLY. ACTUAL ORDERING ITEM NUMBERS AND QUANTITIES WILL BE BASED ON OPTIMIZING TOTAL MATERIAL LENGTHS REQUIRED PER PROFILE OR SIZE/DIAMETER.

All loading and design criteria supplied by customer is assumed accurate. Only the stated Design Assumptions were considered, and must be verified by the responsible Engineer of Record (EOR). The basis of Hilti component and connection design is the published data in the current Hilti Technical Guide, including material and cross-section properties, allowable load values, factors of safety, methods of calculation, and limiting factors. The EOR must verify suitability for any specific application, and the capacity of the supportive structure to receive the shown configuration and associated reaction loads. Modification to components and/or design may alter performance and must be evaluated by the EOR.

REVISION HISTORY

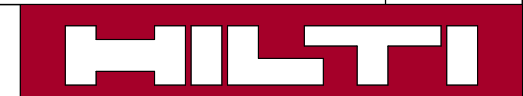
| NO. | DESCRIPTION: | DATE: |
|-----|------------------|------------|
| A | ISSUE FOR REVIEW | 01/07/2021 |

PROJECT NAME:

PANEL STAND MT90 - C

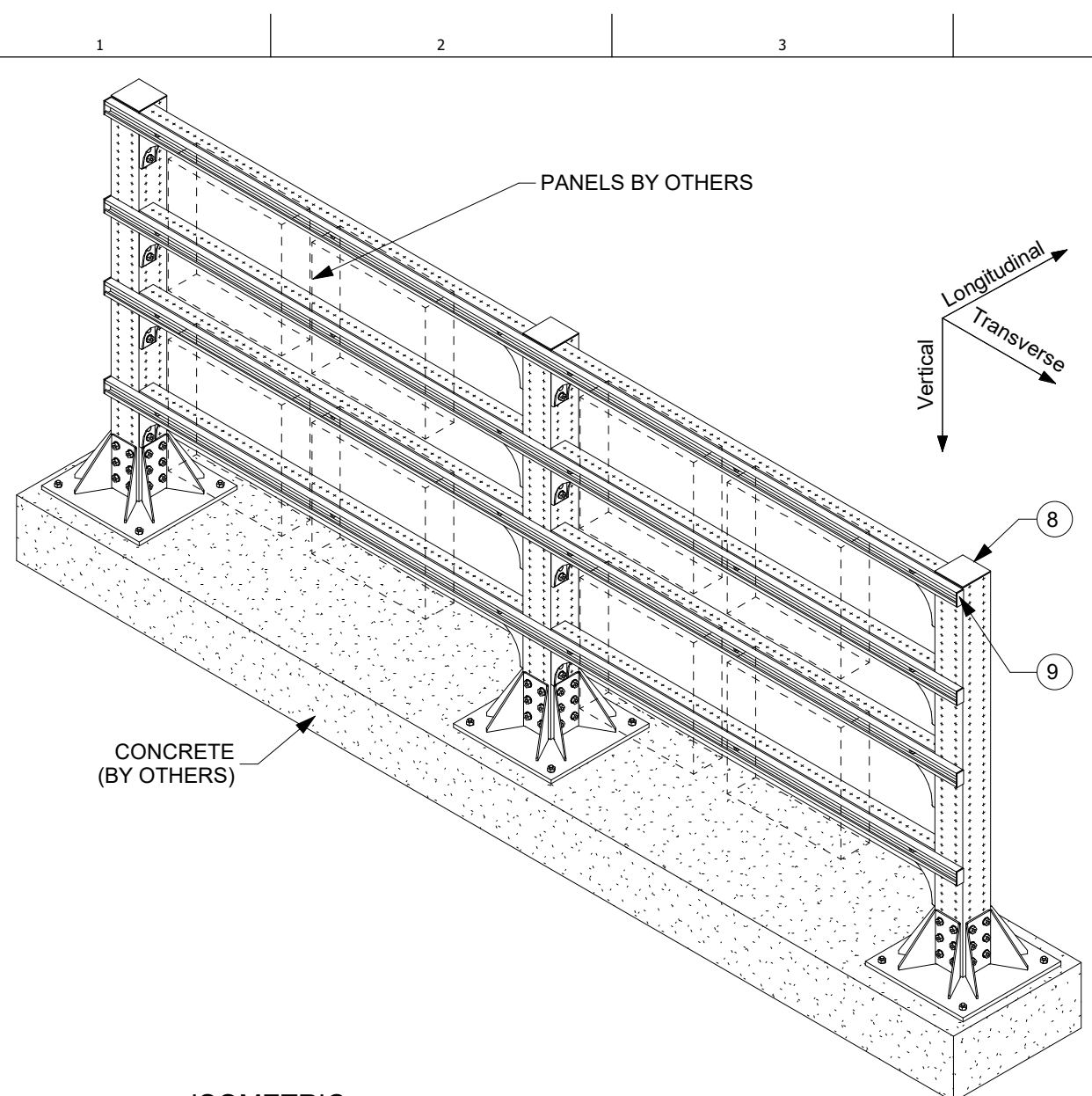
PROJECT DESCRIPTION:

PANEL STAND MT90 - C

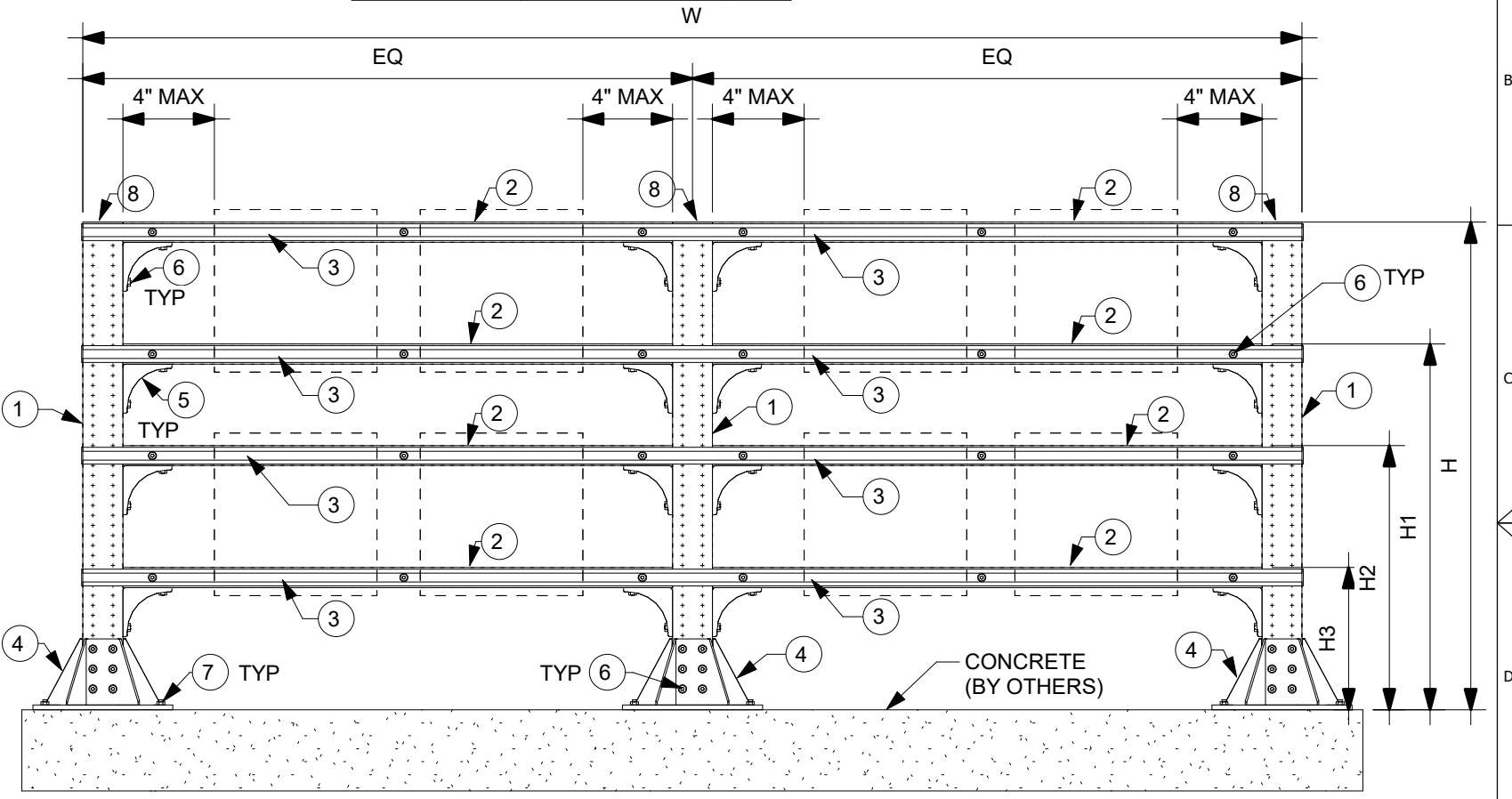


DRAWN: GAB CHECKED: IDP DESIGNED: JDR REVIEWED: BVD

PAPER SIZE: ANSI B PROJECT NUMBER: PS9C1 - 1



1 ISOMETRIC
N.T.S.



2 ELEVATION
N.T.S.

| TABLE A | |
|------------------|-----|
| Max W, in | 120 |
| Max H, in | 78 |
| Max H1, in | 54 |
| Max H2, in | 42 |
| Max H3, in | 18 |
| Max Panel Weight | 250 |
| Transverse | 75 |
| Longitudinal | 75 |

ALLOWABLE LOADS, lbs

| MARK | ITEM NO. | DESCRIPTION | QTY. |
|------|----------|----------------------------------|------|
| 1 | 2268369 | MT-90 OC | 3 |
| 2 | 2268365 | MT-70 OC | 8 |
| 3 | 2268500 | MT-30 OC | 4 |
| 4 | 2272103 | MT-B-GL-O4 OC | 3 |
| 5 | 2272066 | MT-C-GS OC | 16 |
| 6 | 2272084 | MT-TFB OC | 160 |
| 7 | 387527 | ANCHOR KB-TZ 1/2" x 4-1/2" SS304 | 12 |
| 8 | 2273699 | MT-EC-90 | 3 |
| 9 | 2273642 | MT-EC-30 | 8 |

NOTE(S):

A. THE TYPICAL ELECTRICAL AND INSTRUMENTATION (E&I) DETAIL REPRESENTS A COMMON CONFIGURATION FOR THIS APPLICATION. THE TYPICAL E&I SUPPORT IS LOAD RATED AND DIMENSIONALLY LIMITED BASED ON PANEL/INSTRUMENT LOADS, HILTI PUBLISHED DATA, DESIGN METHODOLOGY AND GENERIC NON-PROJECT SPECIFIC ASSUMPTIONS SET FORTH IN PROFIS MODULAR SUPPORT ENGINEERING SOFTWARE VERSION 2.20. THE ENGINEER OF RECORD SHALL EVALUATE THIS TYPICAL SUPPORT TO DETERMINE ITS SUITABILITY FOR THE ACTUAL PROJECT SPECIFIC DESIGN CRITERIA AND REQUIREMENTS.

B. THE EVALUATION OF EXISTING STRUCTURE IS OUTSIDE OF E&I TYPICAL DESIGN SCOPE AND SHALL BE PERFORMED BY THE ENGINEER OF RECORD.

C. TYPICAL E&I SUPPORT DESIGN IS BASED ON INTERNATIONAL BUILDING CODE (IBC) 2015. SEE TABLES IN E&I DETAILS FOR ALLOWABLE DESIGN LOADS (STATIC U.N.O.); LATERAL LOADS CALCULATED AS 30% OF DEAD LOAD U.N.O.

D. ALL LOADS ASSUMED TO ACT AT THE 6" OFF THE HORIZONTAL SUPPORT BEAMS. THE EVALUATION OF A CENTER OF GRAVITY GREATER THAN 6" SHALL BE PERFORMED BY THE ENGINEER OF RECORD.

E. MAXIMUM ALLOWABLE LOAD TABLE SHOWN IN THE TYPICAL DETAILS ARE BASED ON THE COMBINATION OF VERTICAL LOAD WITH TRANSVERSE LOAD OR VERTICAL LOAD WITH LONGITUDINAL LOAD. A SEPARATE ANALYSIS MUST BE PERFORMED WHEN TRANSVERSE AND LONGITUDINAL LOAD OCCUR SIMULTANEOUSLY WITH VERTICAL LOAD.

F. PANEL/INSTRUMENT CONNECTION HARDWARE AND DESIGN MUST BE CHECKED SEPARATELY. WHEN MULTIPLE BOXES ARE ATTACHED TO THE SUPPORT, ALL BOXES SHALL HAVE THE SAME WEIGHT, DIMENSIONS, AND BE SYMMETRICALLY PLACED ON STAND.

G. REFER TO HILTI INSTRUCTION FOR USE SHEET FOR REQUIRED INSTALLATION INFORMATION. THREAD FORMING BOLT MAY BE INSTALLED USING A TORQUE WRENCH OR SI-AT-A22 PER INSTRUCTION FOR USE.

H. ANCHORAGE TO CONCRETE IS DESIGNED FOR CONCRETE WITH A MINIMUM COMPRESSIVE STRENGTH OF 3000 PSI, MINIMUM THICKNESS OF 6", AND MINIMUM ANCHOR EDGE DISTANCE OF 6". INSTALL 5/8" DIAMETER KB-TZ WITH MIN. 3 1/8" EFFECTIVE EMBEDMENT U.N.O.

I. CONCRETE ANCHORS NOTED IN THE BILL OF MATERIAL ARE DESIGNED ONLY FOR WIND LATERAL LOADING. EOR TO VERIFY ADEQUACY OF ANCHOR WHEN TYPICAL IS BEING USED FOR SEISMIC LATERAL LOADING.

*QUANTITY LISTED FOR THE ITEM NUMBER IS FOR PIECE COUNT TOTALS ONLY. ACTUAL ORDERING ITEM NUMBERS AND QUANTITIES WILL BE BASED ON OPTIMIZING TOTAL MATERIAL LENGTHS REQUIRED PER PROFILE OR SIZE/DIAMETER.

All loading and design criteria supplied by customer is assumed accurate. Only the stated Design Assumptions were considered, and must be verified by the responsible Engineer of Record (EOR). The basis of Hilti component and connection design is the published data in the current Hilti Technical Guide, including material and cross-section properties, allowable load values, factors of safety, methods of calculation, and limiting factors. The EOR must verify suitability for any specific application, and the capacity of the supportive structure to receive the shown configuration and associated reaction loads. Modification to components and/or design may alter performance and must be evaluated by the EOR.

| REVISION HISTORY | | |
|------------------|------------------|------------|
| NO. | DESCRIPTION: | DATE: |
| A | ISSUE FOR REVIEW | 01/07/2021 |

PROJECT NAME:
PANEL STAND MT90 - C - 001

PROJECT DESCRIPTION:
PANEL STAND MT90 - C - 001

| | | | |
|-----------------------|----------|--------------------------------|-----------|
| DRAWN: | CHECKED: | DESIGNED: | REVIEWED: |
| GAB | IDP | JDR | BVD |
| PAPER SIZE: ANSI B | | PROJECT NUMBER: - PS1C1 - 1 | |