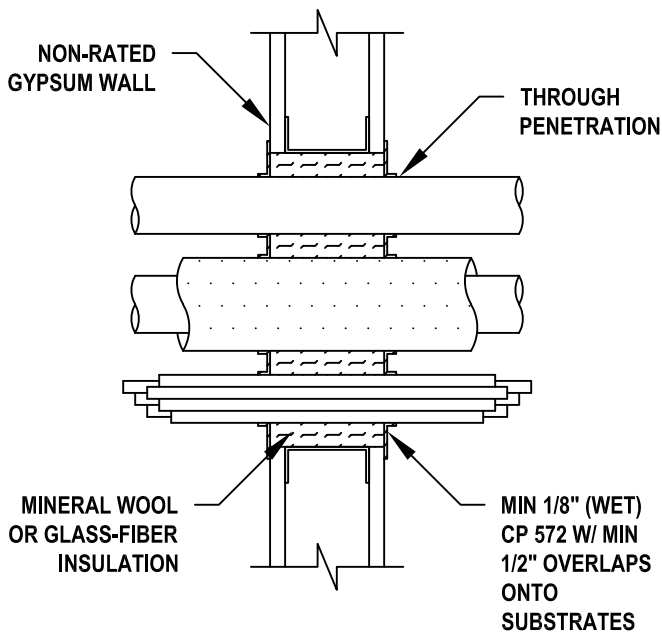
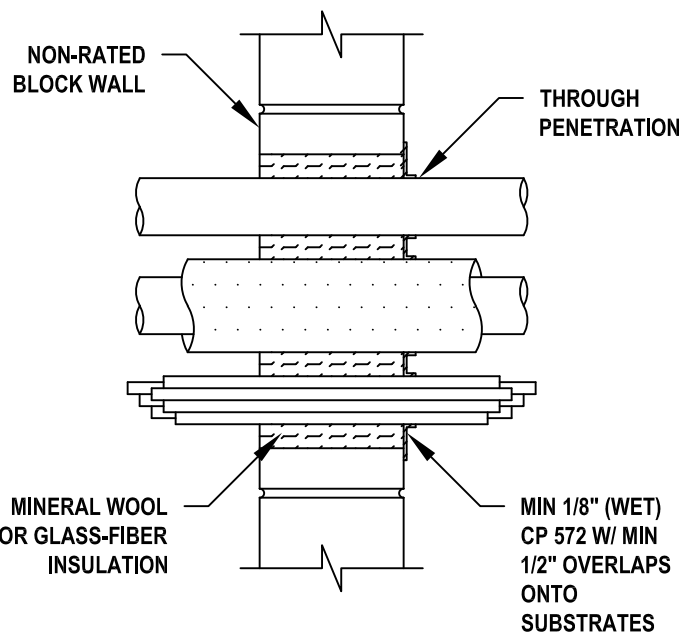
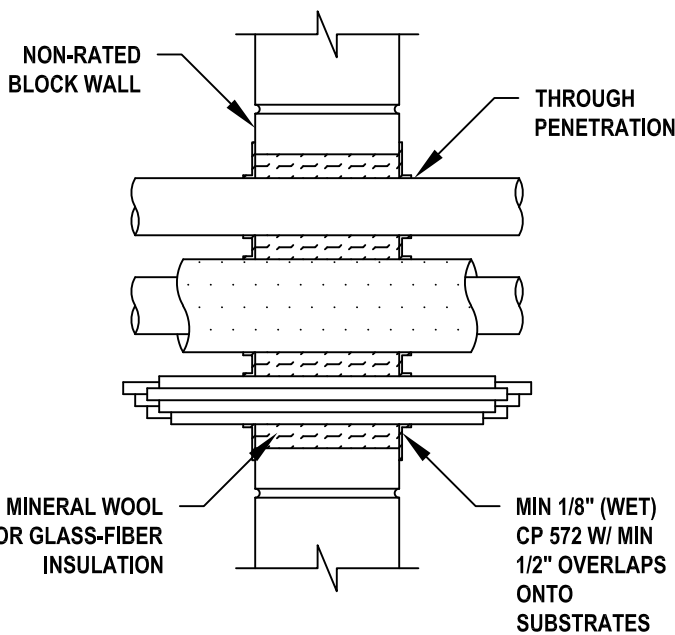
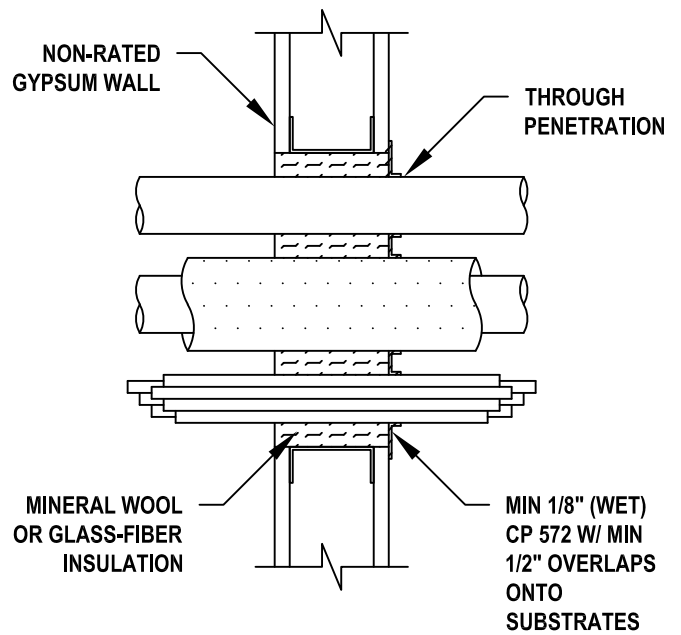


THROUGH PENETRATION DETAIL FOR NON FIRE-RATED SMOKE PARTITIONS (EXAMPLES)

TWO-SIDED APPLICATIONS



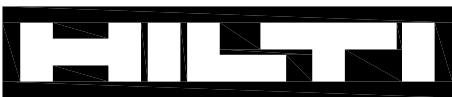
ONE-SIDED APPLICATIONS



TP-572-1c.102918

LIMITATIONS :

- HILTI CP 572 SMOKE AND ACOUSTIC SPRAY MAY BE INSTALLED WHERE IT IS NECESSARY TO RESTRICT SMOKE MIGRATION THROUGH NON FIRE-RATED ASSEMBLIES.
- NOT FOR FIRE-RATED ASSEMBLIES.
- NOT FOR USE WITH CPVC PIPING.
- REFER TO PRODUCT LITERATURE FOR COMPLETE DETAILS ON INSTALLATION, SUITABLE APPLICATIONS, AND LIMITATIONS.
- FOR APPLICATIONS THAT DO NOT MEET THE CONDITIONS ABOVE, CONTACT HILTI TECHNICAL SUPPORT.
- THESE DETAILS REPRESENT GENERAL INSTALLATION GUIDELINES TO SATISFY SMOKE PARTITION SEALING REQUIREMENTS OF THE INTERNATIONAL BUILDING CODE (2003, 2006, 2009, 2012, 2015, OR 2018). OBTAIN AUTHORITY HAVING JURISDICTION APPROVAL PRIOR TO INSTALLATION.



HILTI, Inc.
Plano, Texas USA (800) 879-8000

Sheet	1 of 1
Scale	1/8" = 1"
Date	Oct. 29, 2018

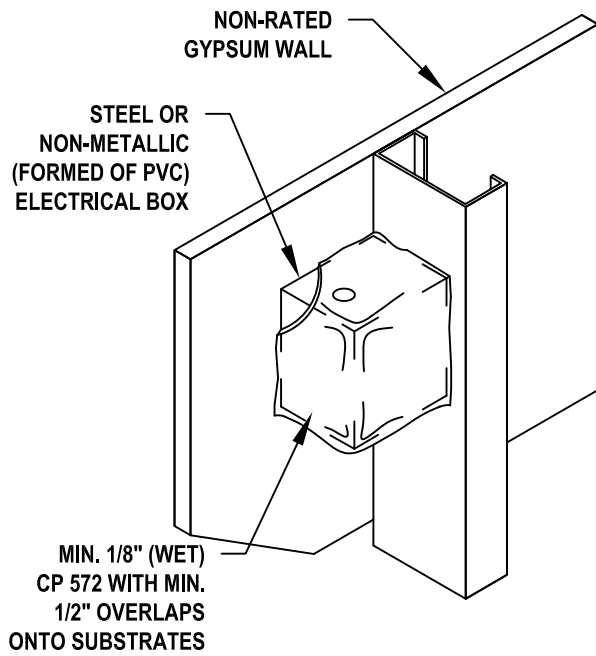
Drawing No.

TP-572-1c

Saving Lives through Innovation and Education

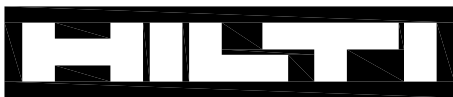
MEMBRANE PENETRATION DETAIL FOR NON FIRE-RATED SMOKE PARTITIONS (EXAMPLES)

MP-572-1b.103018



LIMITATIONS :

- HILTI CP 572 SMOKE AND ACOUSTIC SPRAY MAY BE INSTALLED WHERE IT IS NECESSARY TO RESTRICT SMOKE MIGRATION THROUGH NON FIRE-RATED ASSEMBLIES.
- NOT FOR FIRE-RATED ASSEMBLIES.
- NOT FOR USE WITH CPVC PIPING.
- REFER TO PRODUCT LITERATURE FOR COMPLETE DETAILS ON INSTALLATION, SUITABLE APPLICATIONS, AND LIMITATIONS.
- FOR APPLICATIONS THAT DO NOT MEET THE CONDITIONS ABOVE, CONTACT HILTI TECHNICAL SUPPORT.
- THESE DETAILS REPRESENT GENERAL INSTALLATION GUIDELINES TO SATISFY SMOKE PARTITION SEALING REQUIREMENTS OF THE INTERNATIONAL BUILDING CODE (2003, 2006, 2009, 2012, 2015, OR 2018). OBTAIN AUTHORITY HAVING JURISDICTION APPROVAL PRIOR TO INSTALLATION.



HILTI, Inc.
Plano, Texas USA (800) 879-8000

Sheet	1 of 1
Scale	-
Date	Oct. 30, 2018

Drawing No.

MP-572-1b

Saving Lives through Innovation and Education