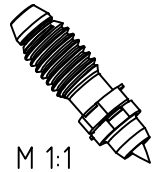
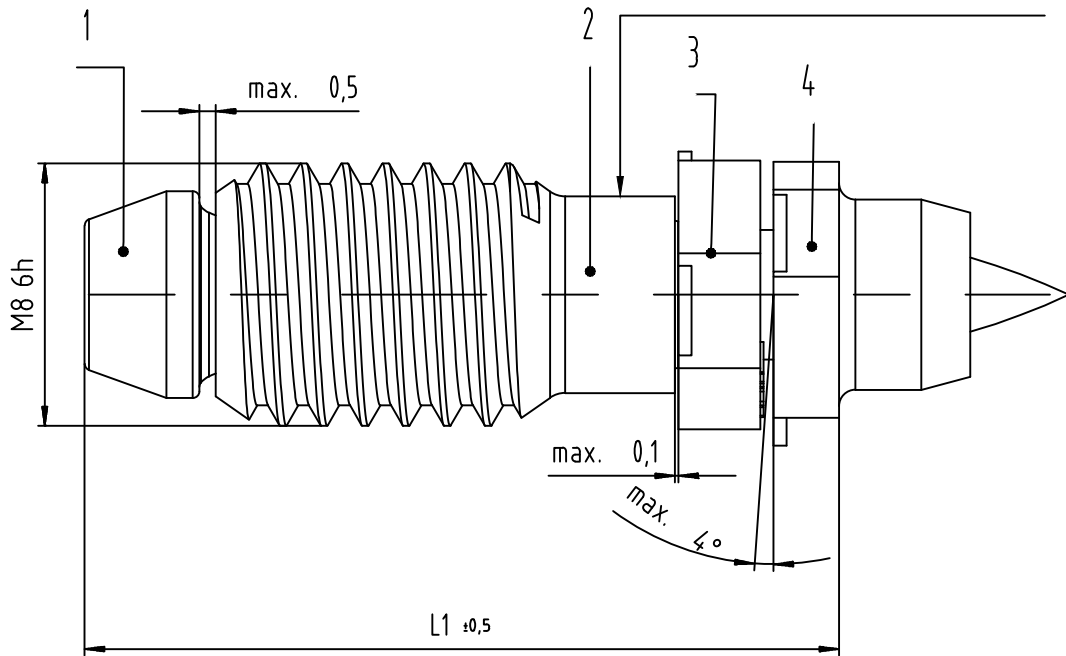


Masse/Dimensions in mm



Keine Deformation durch den Montageprozess zulaessig.  
No deformation through assembly process allowed



Item-No.	Description	L1
2125727	X-ST GR M8/5 P8	18
2126558	X-ST GR M8/10 P8	23

Losdrehmoment Huelse/Stift min. 8 Nm (Einzelwert)  
Torque sleeve/bolt min. 8 Nm (single value)

only valid in relation with current engineering BOM

Extract for indication of surface texture acc. to ISO 1302 and ISO 4287

Max. roughness grades $R_z$ in $\mu$	
50	75 12,5 6,3 3,2 1,6 0,8 0,4
Equivalent to the prior roughness grades	
M12	M11 M10 M9 M8 M7 M6 M5

Extract general tolerances acc. to ISO 2768-K

Symmetry	
Circular run-out tolerances	0,20
	0,60

Extract permitt. deviations of angular dimensions acc. to ISO 2768-m

(Nominal dimen. = short angle side)	
10	120 400
50	120 400
$\pm 10^\circ$	$\pm 0^\circ$

Extract permitt. deviations for broken edges (external radii and chamfer heights) acc. to ISO 2768-m

10	3 6
$\pm 1$	$\pm 0,5$

Extract permitt. deviations for linear dimensions acc. to ISO 2768-m

0,5	120 400
3	120 400 1000
$\pm 0,1$	$\pm 0,5$

Parts manufactured by material removal and forming; Tolerance class m

Nominal dimension: up to	Permissible deviation
3	$\pm 0,1$
6	$\pm 0,2$
10	$\pm 0,3$
30	$\pm 0,5$
120	$\pm 0,8$
400	$\pm 1,0$
1000	$\pm 1,2$

Scale	5:1	Format	A4	ISO "E"		Approval requirement	<input type="checkbox"/> Critical feature	Name	Threaded stud X-ST GR M8 / (5&10) P8 Gewindebolzen X-ST GR M8 / (5&10) P8	Sheet 1 of 1
						<input type="checkbox"/> ABE	<input type="checkbox"/> Major feature			
Status	06.09.2016	Released	HILTI		Hilti = registered trademark of Hilti Corporation, Schaan, LI			Document No.	5237259 / 04 / 606800	
Drawn	07.04.2016	VONMMAT	Copyright reserved					Material No.	2125727	
Modified	24.08.2016	NANGARN								
Checked										