

BLANK OPENING THROUGH CONCRETE FLOOR/WALL OR BLOCK WALL ASSEMBLY

F-RATING = 3-HR.

T-RATING = 0-HR. OR 1/2-HR. (SEE NOTE NO. 3 BELOW)

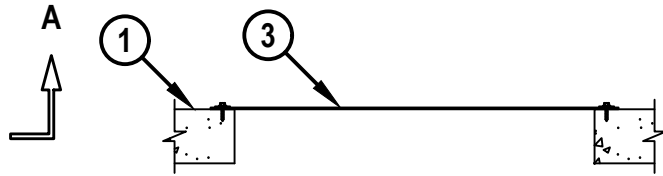
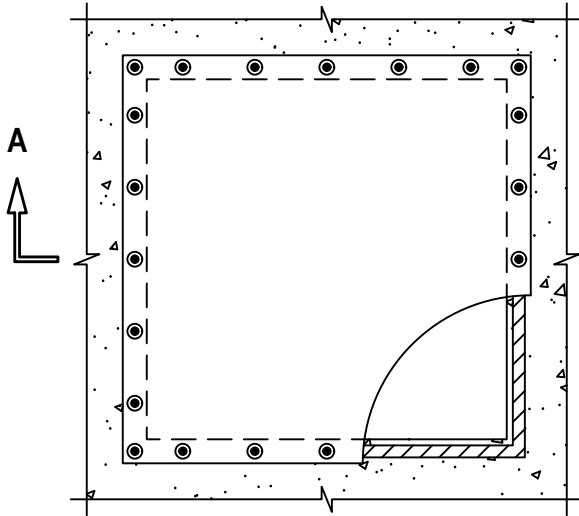
L-RATING AT AMBIENT = LESS THAN 1 CFM / SQ FT

L-RATING AT 400°F = LESS THAN 1 CFM / SQ FT

CAJ0157d.031623

TOP VIEW

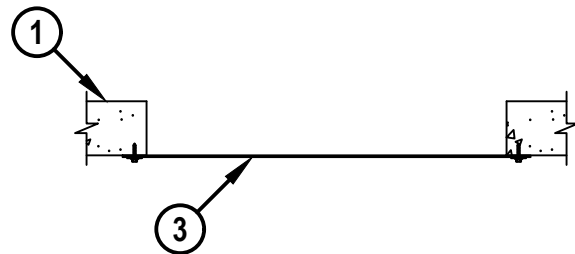
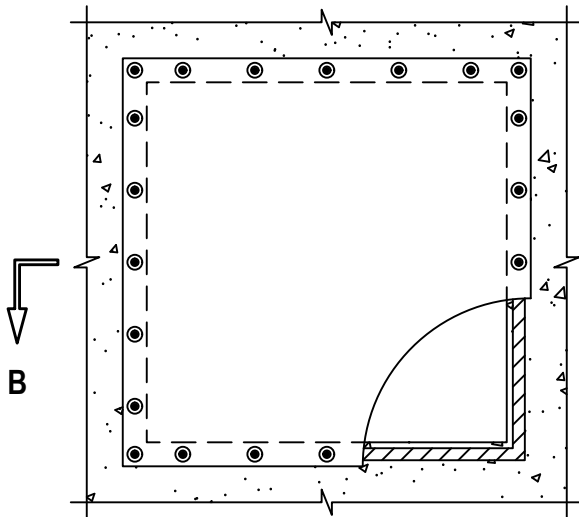
SECTION A-A



CONFIGURATION A

BOTTOM VIEW

SECTION B-B



CONFIGURATION B



HILTI, Inc.
Plano, Texas USA (800) 879-8000

Sheet	1 of 2
Scale	1/16" = 1"
Date	Mar. 16, 2023

Drawing No.
**CAJ
0157d**

BLANK OPENING THROUGH CONCRETE FLOOR/WALL OR BLOCK WALL ASSEMBLY

F-RATING = 3-HR.

T-RATING = 0-HR. OR 1/2-HR. (SEE NOTE NO. 3 BELOW)

L-RATING AT AMBIENT = LESS THAN 1 CFM / SQ FT

L-RATING AT 400°F = LESS THAN 1 CFM / SQ FT

CAJ0157d.031623

1. CONCRETE FLOOR OR WALL ASSEMBLY (3-HR. FIRE-RATING) :
 - A. LIGHTWEIGHT OR NORMAL WEIGHT CONCRETE FLOOR OR WALL (MINIMUM 4-1/2" THICK).
 - B. ANY UL/cUL CLASSIFIED CONCRETE BLOCK WALL (SEE NOTE NO. 2 BELOW).
2. ONE LAYER HILTI CP 619T FIRESTOP PUTTY ROLL OR MINIMUM 1/2" BEAD HILTI FS-ONE MAX INTUMESCENT FIRESTOP SEALANT APPLIED UNDER COMPOSITE SHEET AROUND PERIMETER OF OPENING.
3. HILTI CFS-COS FIRESTOP COMPOSITE SHEET CUT TO OVERLAP FLOOR OR WALL A MINIMUM OF 2". COMPOSITE SHEET INSTALLED WITH THE ALUMINUM FOIL FACING AGAINST EITHER THE TOP SURFACE OR BOTTOM SURFACE OF FLOOR, OR EITHER SURFACE OF WALL, AND SECURED WITH MINIMUM 3/16" DIAMETER BY 1-1/4" LONG STEEL ANCHOR SCREWS WITH 1-1/4" DIAMETER STEEL FENDER WASHERS AT MAXIMUM 2" FROM ENDS AND MAXIMUM 6" C/C.

NOTES : 1. MAXIMUM SIZE OF OPENING = 32" x 32".
2. CONCRETE BLOCKS ADJACENT TO THE PERIPHERY OF THE OPENING TO BE SOLID BLOCKS.
3. T-RATING IS 0-HR. WHEN HILTI CFS-COS IS INSTALLED ON BOTTOM SURFACE OF FLOOR, OR EITHER SURFACE OF WALL.



HILTI, Inc.
Plano, Texas USA (800) 879-8000

Sheet	2 of 2
Scale	-
Date	Mar. 16, 2023

Drawing No.
CAJ
0157d