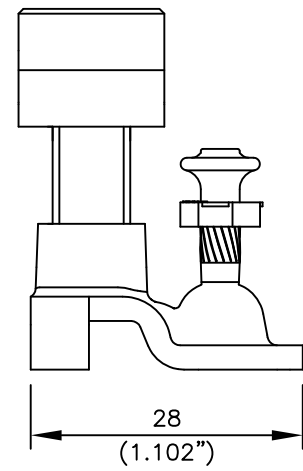
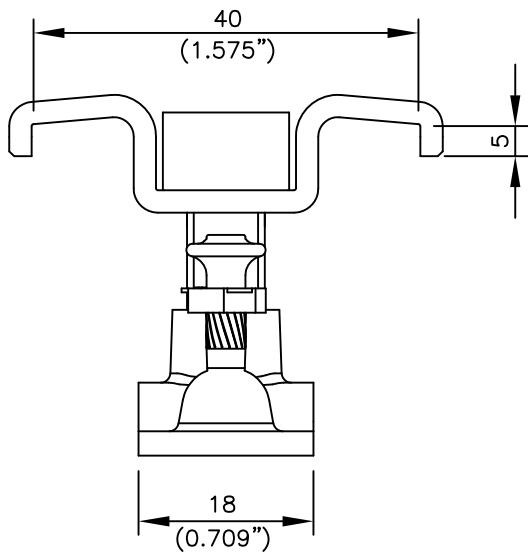


HILTI X-GR GRATING FASTENING SYSTEM ASSEMBLY



FASTENER NOMENCLATURE	GRATING HEIGHT IN (mm)
X-GR 25/30	0.98" – 1.18" (25–30)
X-GR 1 1/4"	1.06" – 1.26" (27–32)
X-GR 35/40	1.38" – 1.57" (35–40)